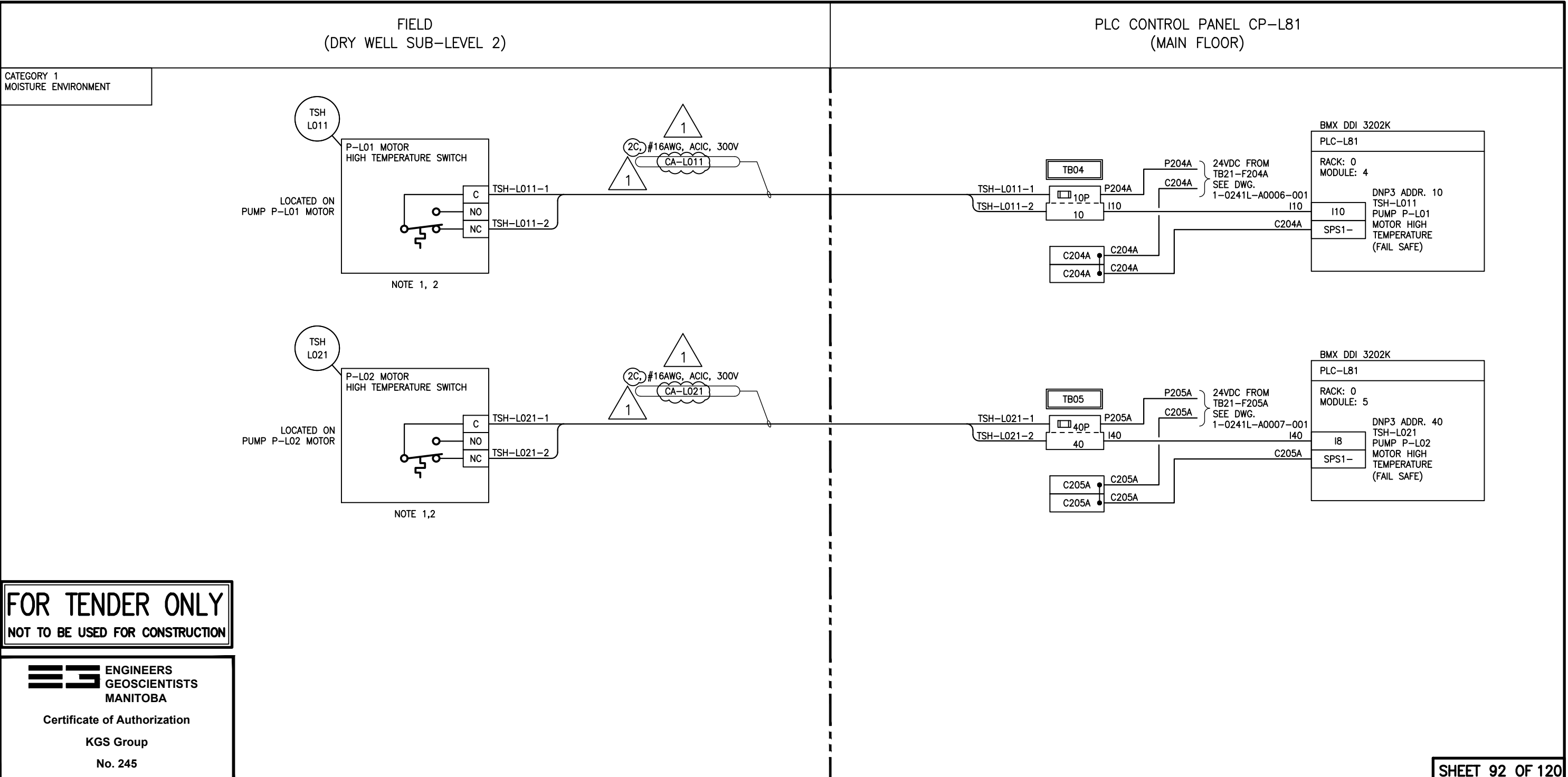


LAST SAVE: 2024/07/12 - 2:32pm
 PATH: R:\Projects\2023\23-0107-009\Dwg\Elec\1-0241L-A0022-001.dwg
 B SIZE - 279mm x 432mm



FOR TENDER ONLY
NOT TO BE USED FOR CONSTRUCTION

ES ENGINEERS GEOSCIENTISTS MANITOBA

Certificate of Authorization

KGS Group

No. 245

SHEET 92 OF 120

- NOTES**
- HIGH TEMPERATURE SWITCH CONTACT TO BE CLOSED WHEN MOTOR TEMPERATURE IS NORMAL AND OPEN WHEN MOTOR TEMPERATURE IS HIGH.
 - MOTOR TEMPERATURE SWITCHES ARE FOR ALARMING PURPOSES ONLY AND DO NOT LOCKOUT A LIFT PUMP.

NO.	REVISIONS	DATE	DESIGN	CHECK
1	ISSUED FOR ADDENDUM 2	2024 07 12	CSR	DDW
0	ISSUED FOR TENDER	2024 06 20	CSR	DDW

KGS GROUP	
DESIGNED BY: C. ROBINSON	CHECKED BY: D. WILSON
DRAWN BY: F. AHMED	APPROVED BY: D. WILSON
SCALE: NTS	DATE: 2024/03/26
ISSUED FOR CONSTRUCTION	
BY:	DATE:
CONSULTANT NO.: 23-0107-009_A22.1	

ENGINEER'S SEAL

THE CITY OF WINNIPEG
WATER AND WASTE DEPARTMENT
ENGINEERING DIVISION

**CONSTRUCTION OF A NEW WASTEWATER LIFT STATION - CENTREPORT SOUTH
REGIONAL WATER AND WASTEWATER SERVICING PHASE 1A (CONTRACT 1A)
AUTOMATION - LOOP DIAGRAM
PUMP P-L01 & P-L02 MOTOR
HIGH TEMPERATURE SWITCHES TSH-L011 & TSH-L021**

CITY DRAWING NUMBER	SHEET	REV.	SIZE
1-0241L-A0022	001	1	B