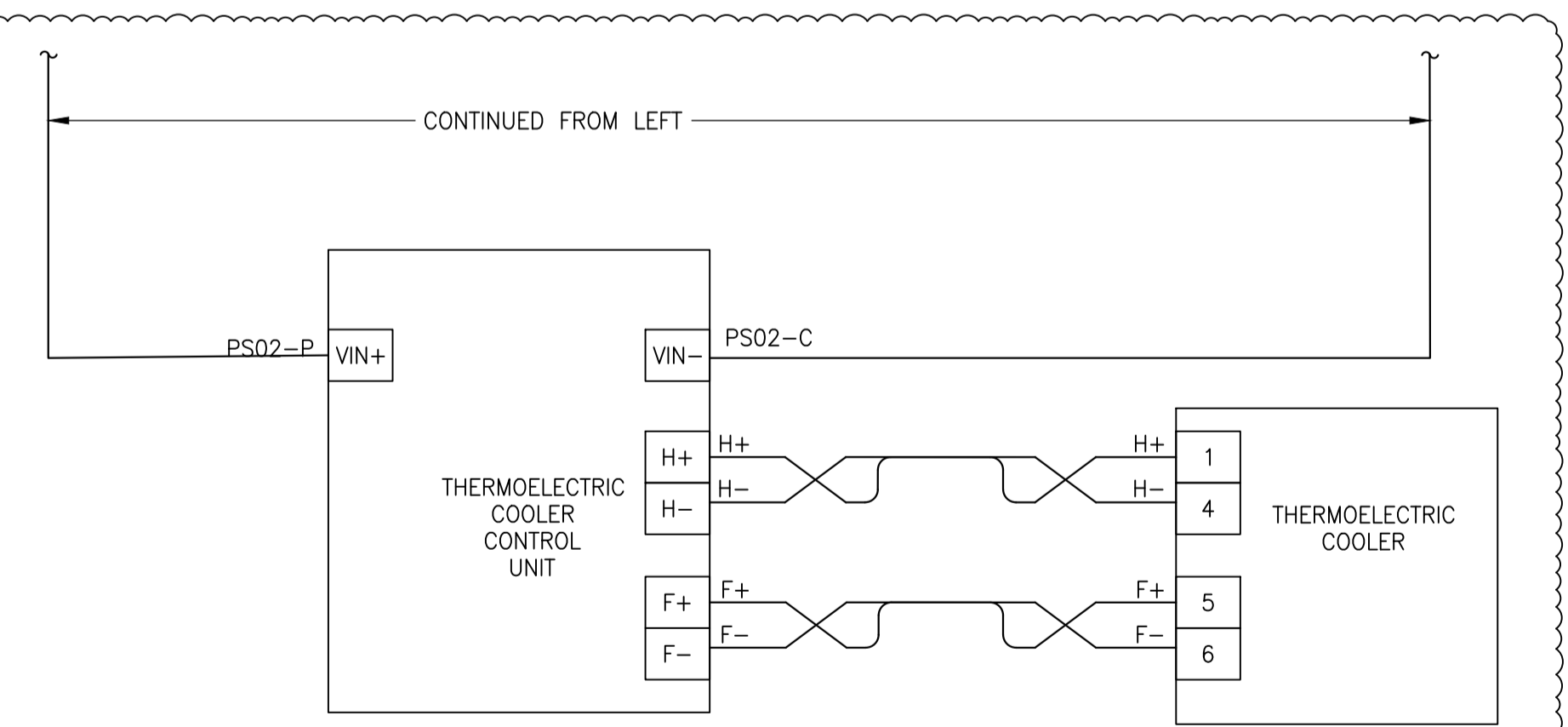
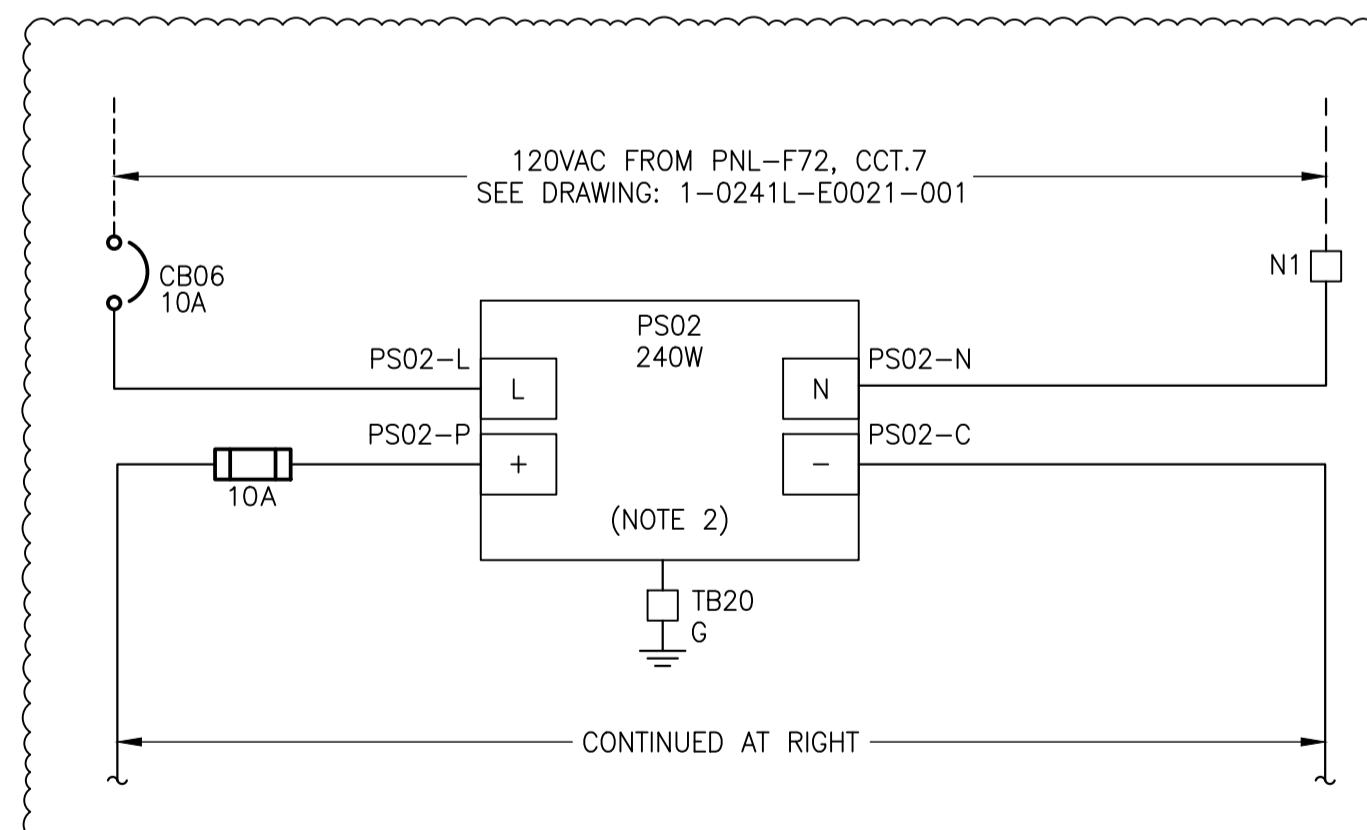


- GENERAL NOTES:**
- ALL 120VAC POWER WIRING TO BE A MINIMUM OF #12AWG UNLESS OTHERWISE NOTED.
 - ALARM AND STATUS CONNECTIONS ARE SHOWN ON DRAWING 1-0241L-A0046-001.
 - SHALL BE FAST BLOW FUSE, MAXIMUM OF 0.5A AS PER PLC MANUFACTURER DISCRETE INPUT CARD SPECIFICATIONS.

1 120 VAC POWER SCHEMATIC
SCALE: N.T.S.

2 24 VDC EQUIPMENT POWER SCHEMATIC
SCALE: N.T.S.

3 24 VDC PLC-F81 CARD POWER SCHEMATIC
SCALE: N.T.S.



4 120 VAC POWER SCHEMATIC (COOLER)
SCALE: N.T.S.

5 24 VDC EQUIPMENT POWER SCHEMATIC (COOLER)
SCALE: N.T.S.

10		
9		
8		
7		
6		
5		
4		
3		
2		
1		
NO.	DRAWING NUMBER	REFERENCE DRAWING TITLE
REFERENCE DRAWINGS		

FOR TENDER ONLY
NOT TO BE USED FOR CONSTRUCTION

**ENGINEERS
GEOSCIENTISTS
MANITOBA**
Certificate of Authorization
KGS Group
No. 245

B.M. ELEV.			
CONSTRUCTION COMPLETION DATE: YYYY MM DD			
1	ISSUED FOR ADDENDUM 2	2024 07 12	DDW
0	ISSUED FOR TENDER	2024 06 20	DDW
NO.	REVISIONS	DATE	BY

KGS GROUP	
DESIGNED BY: D. GUEVARRA	CHECKED BY: D. WILSON
DRAWN BY: F. AHMED	APPROVED BY: D. WILSON
SCALE: NTS	RELEASED FOR CONSTRUCTION
DATE: 2024/03/26	DATE:

ENGINEER'S SEAL
CONSULTANT DRAWING NUMBER 23-0107-009_A45.1

THE CITY OF WINNIPEG
WATER AND WASTE DEPARTMENT
ENGINEERING DIVISION

CONSTRUCTION OF A NEW WASTEWATER LIFT STATION - CENTREPORT SOUTH REGIONAL WATER AND WASTEWATER SERVICING PHASE 1A (CONTRACT 1A) AUTOMATION

OFFTAKE STRUCTURE 3
POWER DISTRIBUTION SCHEMATIC, PLC CONTROL PANEL CP-F81

CITY DRAWING NUMBER: 1-0241L-A0045-001

SHEET 1 OF 1