

ROOM FINISH SCHEDULE

ROOM		FLOOR			NORTH WALL		EAST WALL		SOUTH WALL		WEST WALL		CEILING			REMARKS
NO.	NAME	MATERIAL	FINISH	BASE	MATERIAL	FINISH	MATERIAL	FINISH	MATERIAL	FINISH	MATERIAL	FINISH	MATERIAL	FINISH	HEIGHT	
101	LIFT STATION	CONC	NON-SLIP EPOXY COATING	-	CONC BLK	PAINT	CONC BLK	PAINT	CONC BLK	PAINT	CONC BLK	PAINT	GYPSUM BOARD	PAINT	3200	

ROOM FINISH SCHEDULE ABBREVIATIONS:

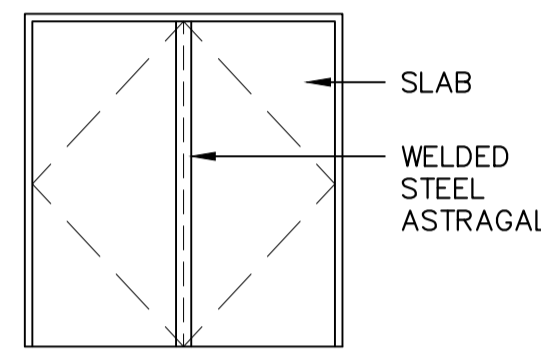
CONC BLK CONCRETE BLOCK  
CONC CONCRETE

DOOR SCHEDULE

DOOR NO.	DOOR	FRAME					FIRE RATING (HOURS)	HARDWARE																
		SIZE (WxHxT)	ELEV.	MAT'L.	CORE	FINISH		REMARKS	SECT.	MAT'L	FINISH	REMARKS	HINGES	LOCK SET	CLOSER	FLUSH BOLTS	STEEL ASTRAGAL	WEATHERSTRIP	SWEEP	THRESHOLD	KICKPLATE	NO EXT. HRDWR.	HARDWARE GROUP	
D101A	2 x 900 x 2150 x 45	1	HM	INSUL	P	ACTIVE LEAF	DA	PS	P	-	-	●	●	●	●	●	●	●	●	●	●	●	●	1
						INACTIVE LEAF		PS	P	-	-	●	●	●	●	●	●	●	●	●	●	●	●	

DOOR SCHEDULE ABBREVIATIONS:

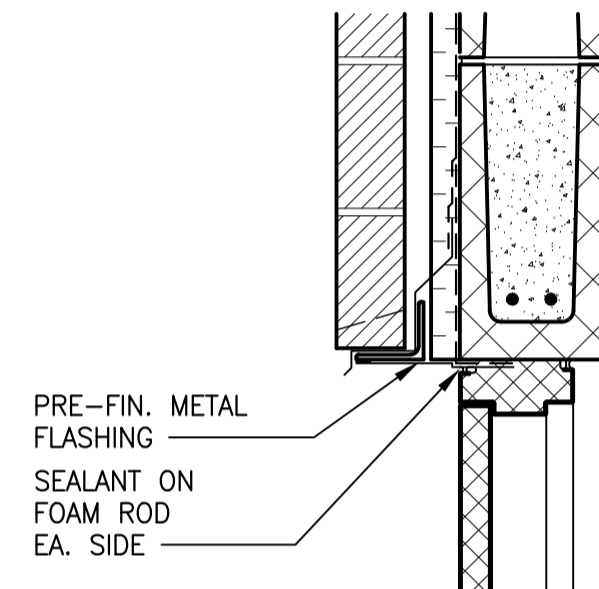
HM HOLLOW METAL  
INSUL INSULATED  
KHC KRAFT HONEYCOMB  
MTL METAL  
P PAINT  
PF PRE-FINISHED  
PS PRESSED STEEL



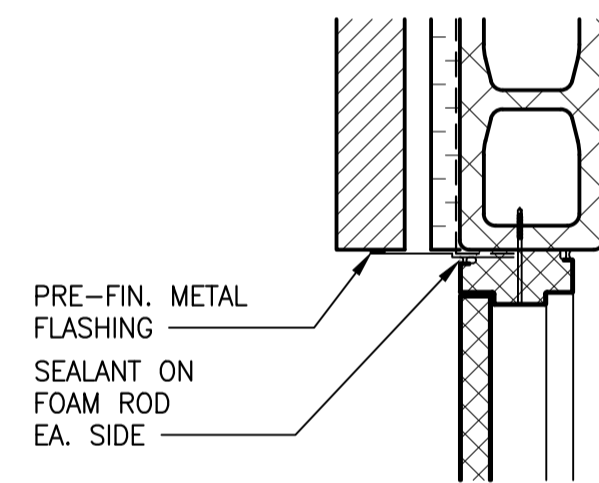
1A

DOOR ELEVATIONS

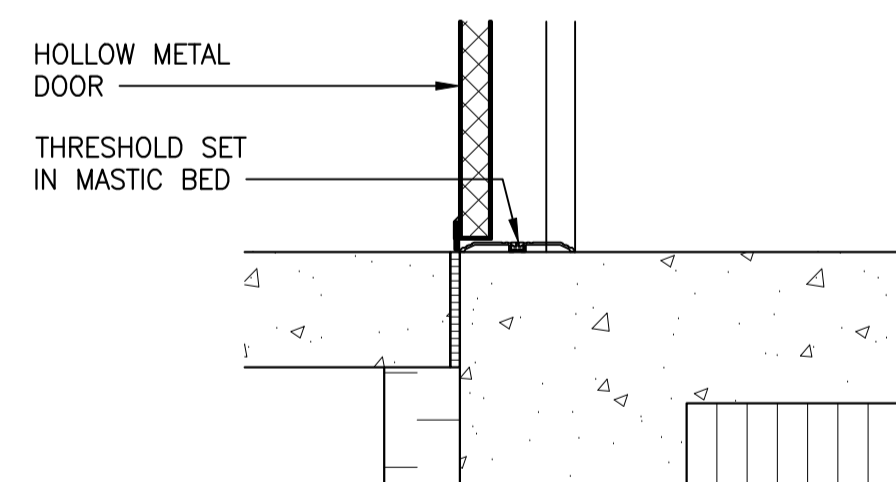
SCALE: 1:50



HEAD



JAMB



SILL

DA

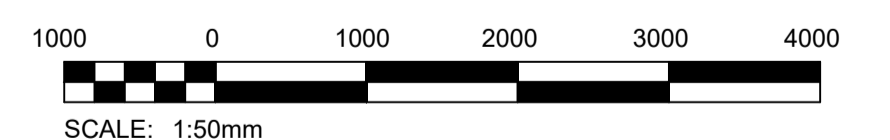
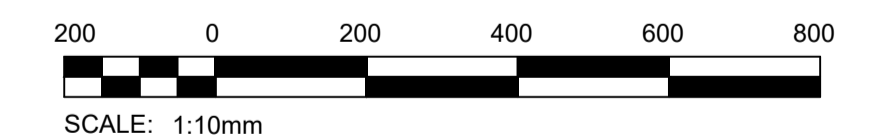
FRAME SECTIONS

SCALE: 1:10

DOOR HARDWARE

GROUP 1

QTY	DESCRIPTION	NUMBER	MFR
8	HINGES	TA 314 4 1/2"x4" NRP	McKINNEY
1	LOCKSET	AU5405LN X ASA (WITHOUT CYLINDER)	YALE
1	CLOSER	4041 CUSH	LCN
2	FLUSH BOLTS	555	ROCKWOOD
1	ASTRAGAL	BY DOOR SUPPLIER	
1	WEATHERSTRIP	W29 1/6 + 2/7	KN CROWDER
		No.6216 1/7 (ASTRAGAL GASKET)	KN CROWDER
2	DOOR SWEEP	W24S	KN CROWDER
1	THRESHOLD	CT-76	KN CROWDER
2	KICKPLATE	K10AX254MM	STANDARD METAL
1	O/H STOP	10-X36 (INACTIVE LEAF)	RIXSON



10	-	-
9	-	-
8	-	-
7	-	-
6	-	-
5	-	-
4	-	-
3	-	-
2	-	-
1	-	-
NO.	DRAWING NUMBER	REFERENCE DRAWING TITLE
		REFERENCE DRAWINGS

**FOR TENDER ONLY**  
NOT TO BE USED FOR CONSTRUCTION



NO.	REVISIONS	DATE	BY
1	ISSUED WITH ADDENDUM 4	2024-07-26	SNH
0	ISSUED FOR TENDER	2024-06-20	SNH

<b>KGS GROUP</b>	
DESIGNED BY: SNH	CHECKED BY: JMW
DRAWN BY: SNH	APPROVED BY: JMW
SCALE: AS SHOWN	RELEASED FOR CONSTRUCTION
DATE: 2024 02 05	DATE:

ENGINEER'S SEAL
CONSULTANT DRAWING NUMBER: 23-0107-009_B5.1

**THE CITY OF WINNIPEG**  
WATER AND WASTE DEPARTMENT  
ENGINEERING DIVISION

CONSTRUCTION OF A NEW WASTEWATER LIFT STATION - CENTREPORT SOUTH REGIONAL WATER AND WASTEWATER SERVICING PHASE 1A (CONTRACT 1A)

BUILDINGS  
ROOM FINISH SCHEDULE, DOOR SCHEDULE & DETAILS

CITY DRAWING NUMBER: 1-0241L-B0006-001

SHEET 16 OF 120