

NOTES

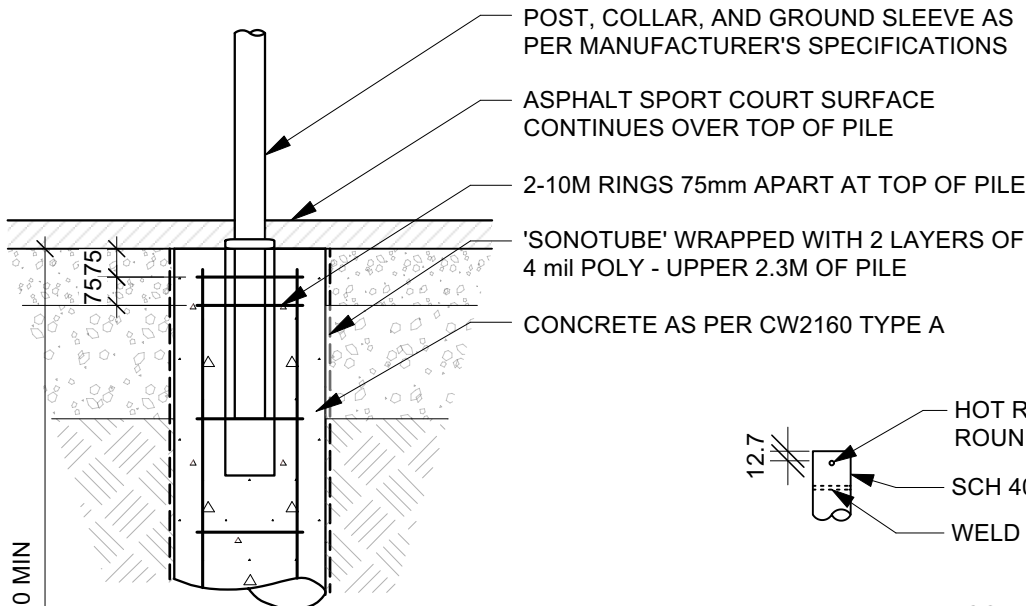
1. EMBEDMENT DEPTH OF POST AS PER MANUFACTURER'S SPECIFICATIONS
2. ASPHALT SPORT COURT SURFACE AS PER SCD-305 OR SCD-305A
3. CONCRETE UNDERGROUND STRUCTURES AS PER CW2160
4. ANY DAMAGE MADE TO THE SPORT COURT SURFACING DURING CONSTRUCTION SHALL BE REPAIRED WITH THE SAME PRODUCT AND COLOUR

Drawing Title:

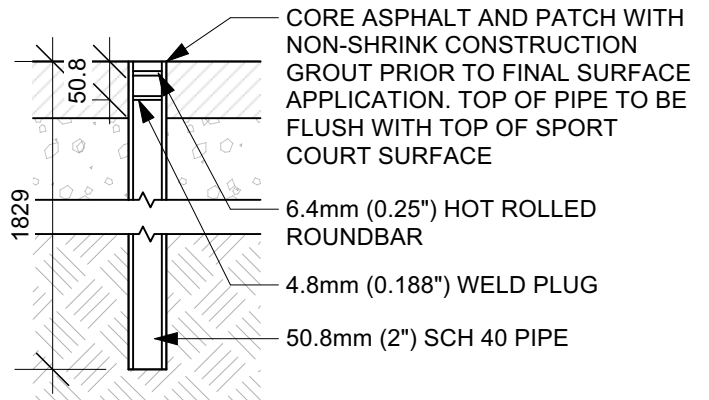
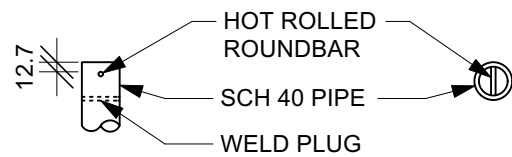
**TENNIS/PICKLEBALL NET POST
CONCRETE PILE DETAIL**

Drawing No:

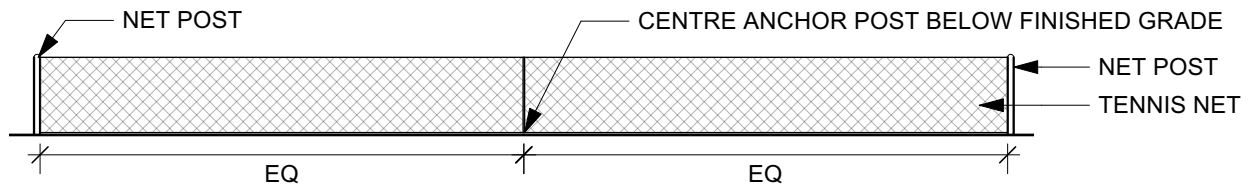
SCD-301



CONCRETE PILE SECTION
SCALE 1:20



ANCHOR POST DETAILS
SCALE 1:10



TENNIS NET ELEVATION
SCALE 1:100

DIMENSIONS SHOWN ARE IN MILLIMETRES UNLESS OTHERWISE SPECIFIED

Revision: 1
DATE: July 2023
SCALE: N.T.S.
DRAWN BY: MG

The City of Winnipeg
Planning, Property and Development Department
Planning and Land Use Division
Unit 15 - 30 Fort Street, Winnipeg, MB, R3C 4X5

