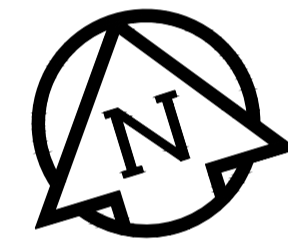
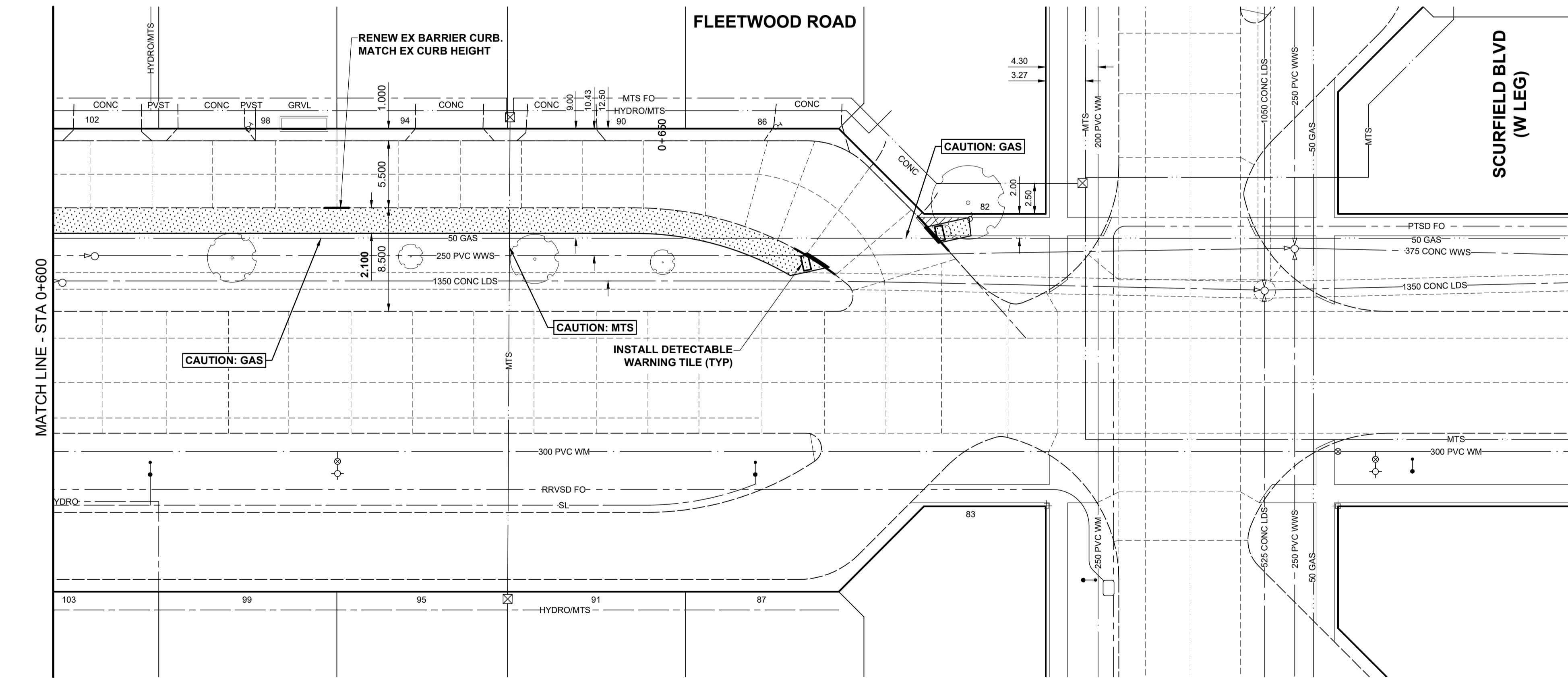


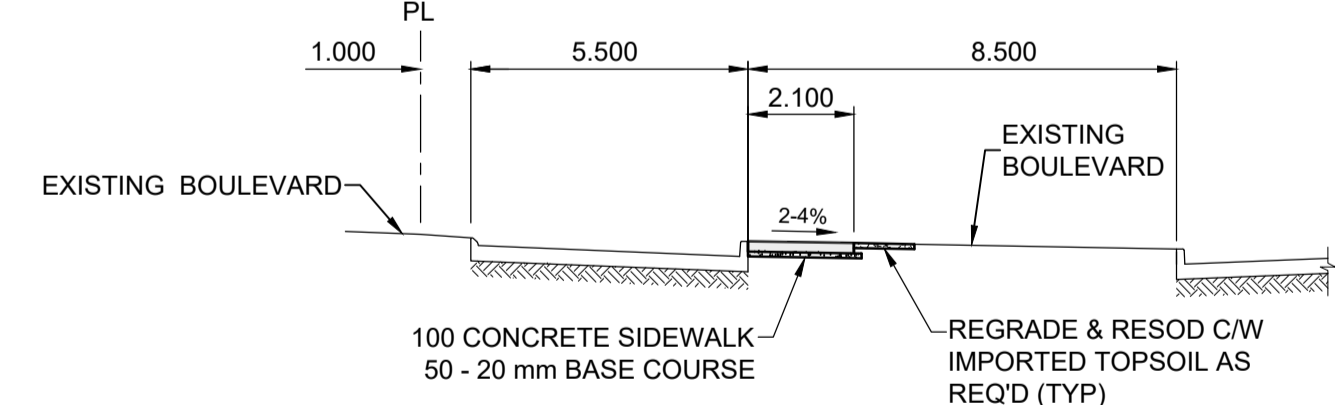
MATCH LINE - STA 0+600

CHAINAGE ALONG BACK OF CURB



SCURFIELD BLVD (W LEG)

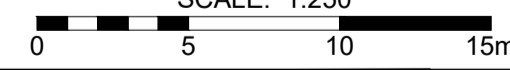
- NOTES**
- ADJUST MH AND CB RIMS TO NEW GRADES.
 - LAMP STANDARDS, HYDRO POLES, AND ANCHORS THAT REQUIRE TEMPORARY SUPPORT, REMOVAL OR REPLACEMENT, TO BE DONE SO AT THE EXPENSE OF THE CONTRACTOR AS NECESSARY.
 - CONTRACTOR TO REGRADE/RENEW EXISTING PRIVATE SIDEWALKS TO LIMITS AS SHOWN. SIDEWALKS TO BE RENEWED WITH CONCRETE UNLESS NOTED OTHERWISE.
 - CONTRACTOR TO TAKE PRECAUTIONARY STEPS TO PROTECT EXISTING TREES WITHIN THE LIMITS OF CONSTRUCTION FROM DAMAGE FROM CONSTRUCTION ACTIVITIES AS OUTLINED IN THE SPECIFICATIONS.
 - CONTRACTOR TO CONFIRM THE LOCATION OF ALL UTILITIES/SERVICES IN THE FIELD PRIOR TO CONSTRUCTION.
 - MODIFIED BARRIER CURB TO BE USED AT ALL INTERSECTION RADII, BACK LANE RADII AND BULLNOSES.
 - CONTRACTOR TO OVERLAY DRIVEWAYS TO ENSURE POSITIVE DRAINAGE TO NEW STREET GRADES. FINAL LIMITS TO BE DETERMINED IN THE FIELD BY CONTRACT ADMINISTRATOR.
 - CB SD-023 & SD-024 OFFSETS ARE DIMENSIONED TO BOC. CB SD-025 OFFSETS ARE DIMENSIONED O/C.
 - REFER TO TENDER FOR DETAILS REGARDING TRAFFIC MANAGEMENT.
 - ADJUST EXISTING WATER VALVES AND WATER SERVICE CURB STOPS TO GRADE.
 - ADD 200,000 m TO ABBREVIATED ELEVATIONS TO OBTAIN GEODETIC ELEVATIONS.



TYPICAL PAVEMENT SECTION
SIDEWALK INSTALLATION
SCALE: NTS

METRIC
WHOLE NUMBERS INDICATE MILLIMETRES
DECIMALIZED NUMBERS INDICATE METRES

PLAN
SCALE: 1:250



EXISTING	LEGEND - PLAN	PROPOSED	EXISTING	LEGEND - PLAN	PROPOSED	EXISTING	LEGEND - PLAN	PROPOSED
⊕	HYDRANT	⬆	---	LDS / WWS	---	▒	CONCRETE	▒
⊖	VALVE	⊖	---	WATER MAIN	---	▒	CONC SIDEWALK / MEDIAN	▒
⊙	CURB STOP	⊙	---	GAS	---	▒	ASPHALT	▒
○	MANHOLE	●	---	TRAFFIC SIGNALS	---	▒	PAVING STONE	▒
□	CATCH BASIN / CATCH PIT	■	---	HYDRO / STREET LIGHT	---	▒	GRAVEL	▒
△	CURB INLET	▲	---	COMMUNICATIONS	---	▒	PLANING / REMOVAL	▒
•	POLE	•	---	CURB RENEWAL	---	▒	DITCH FLOW	▒
⬆	LIGHT STANDARD	⬆	---	PROPERTY LINE	---	▒	TOP OF SLOPE	▒
⬆	TRAFFIC SIGNAL POLE	⬆	---	RAMP CURB	---	▒	CULVERT	▒
⊕	SURVEY BAR	⊕	---	ELEVATIONS	---	▒	SEWER FLOW DIRECTION	▒
⊕	GEODETIC BENCH MARK	⊕	---	TREE / TREELINE	---	▒	TEST HOLE / CORE HOLE	▒

LOCATION APPROVED
UNDERGROUND STRUCTURES

DATE: _____

NOTE:
LOCATION OF UNDERGROUND STRUCTURES AS SHOWN ARE BASED ON THE BEST INFORMATION AVAILABLE BUT NO GUARANTEE IS GIVEN THAT ALL EXISTING UTILITIES ARE SHOWN OR THAT THE GIVEN LOCATIONS ARE EXACT. CONFIRMATION OF EXISTENCE AND EXACT LOCATION OF ALL SERVICES MUST BE OBTAINED FROM THE INDIVIDUAL UTILITIES BEFORE PROCEEDING WITH CONSTRUCTION.

BM 75-023	In median of Scurfield Blvd @ Brodick Ct, 9.2m E of CL
ELEV 233.403 m	Conc Pav on Brodick Ct & 5.2m N of CL, Conc Pav of EB traffic lanes.
No.	REVISIONS
0	ISSUED FOR ADDENDUM 1
24/04/22	JGK
YY/MM/DD	BY

MORRISON HERSHFIELD now **Stantec**

DESIGNED BY: JGK
DRAWN BY: DML

CHECKED BY: RPB
APPROVED BY: RPB

RELEASED FOR CONSTRUCTION

HOR SCALE: 1:250
VERT SCALE: 1:10

DATE: APRIL 22, 2024

PROFESSIONAL'S SEAL

PROVINCE OF MANITOBA

J.G. KENNEDY
Member
22326
2024-04-26

REGISTERED PROFESSIONAL ENGINEER

CONSULTANT FILE NAME
2304276-Fleetwood West-PP-01.dwg

THE CITY OF WINNIPEG
PUBLIC WORKS DEPARTMENT
ENGINEERING DIVISION

2024 LOCAL STREETS RENEWAL PROGRAM
FLEETWOOD ROAD
NORTH FRONTAGE RD (#82 - #126)
SIDEWALK INSTALLATION
PAVING AND GRADING
STA 0+500 TO STA 0+690

CITY DRAWING NUMBER: N/A
SHEET OF: 34 OF 34
DRAWING NUMBER: 34

TENDER No. 303-2024