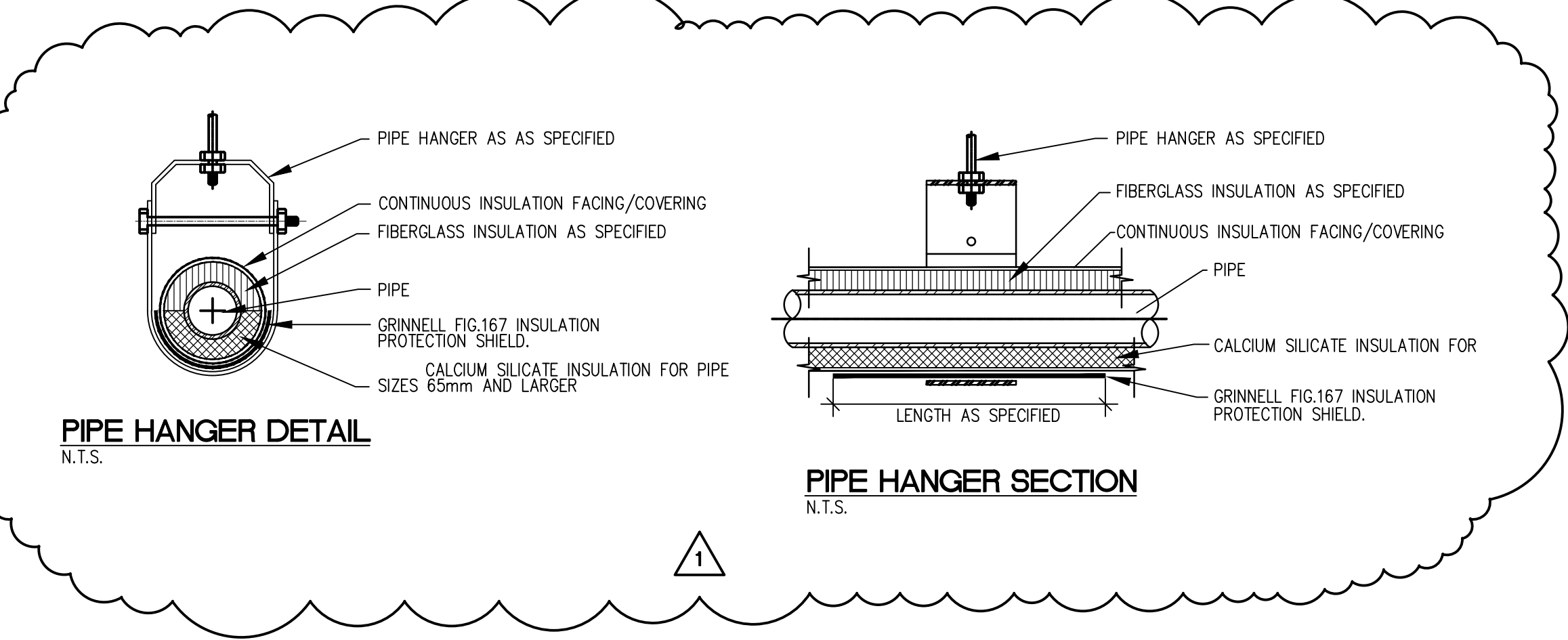
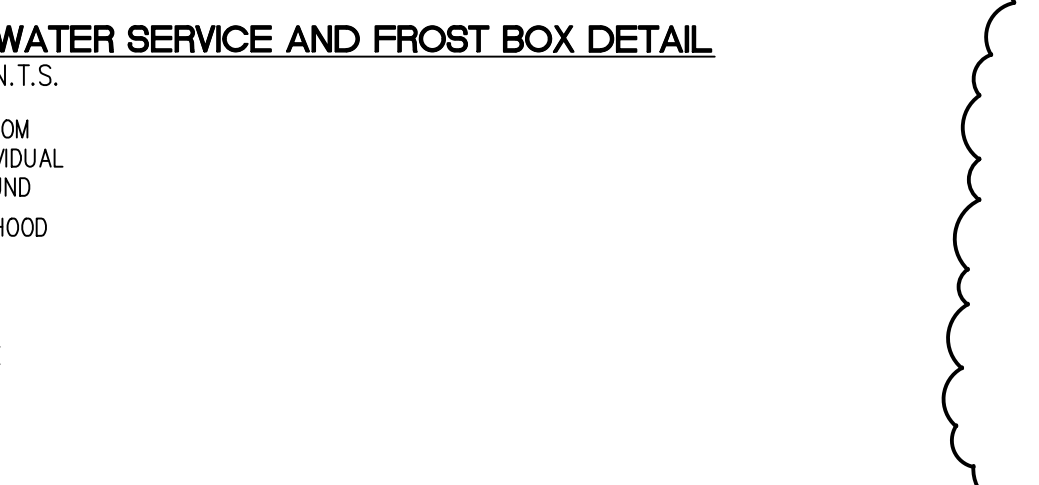
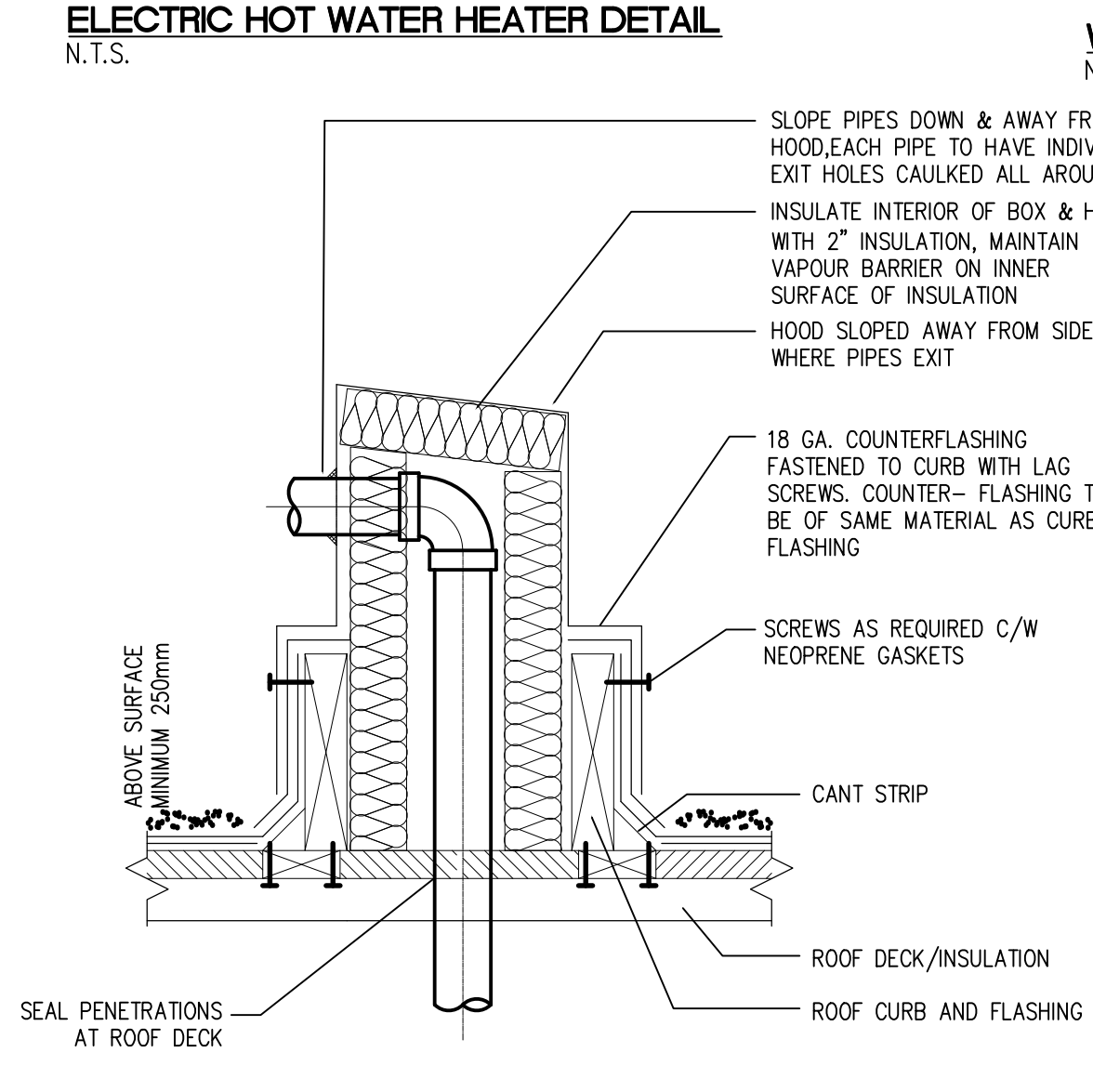
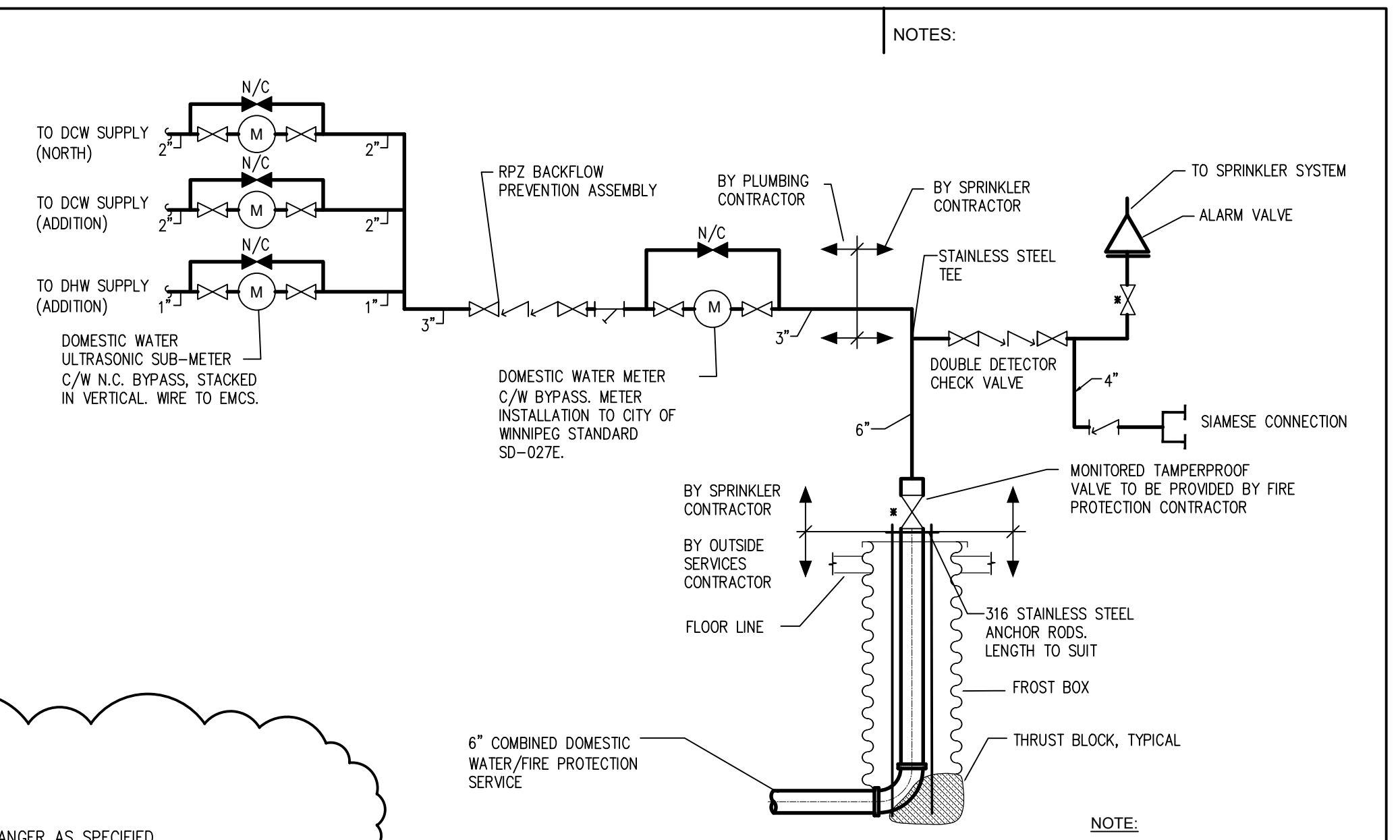
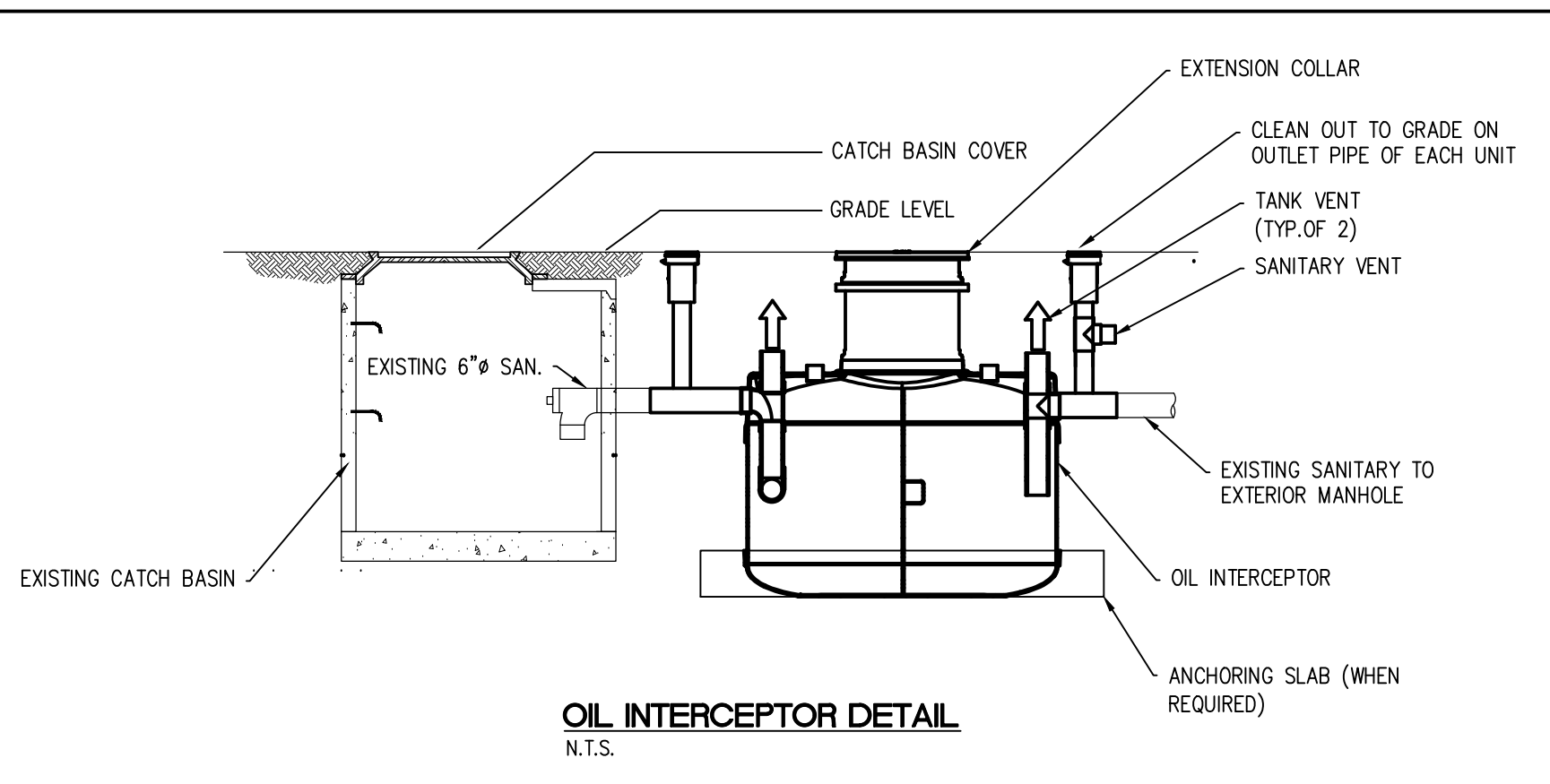
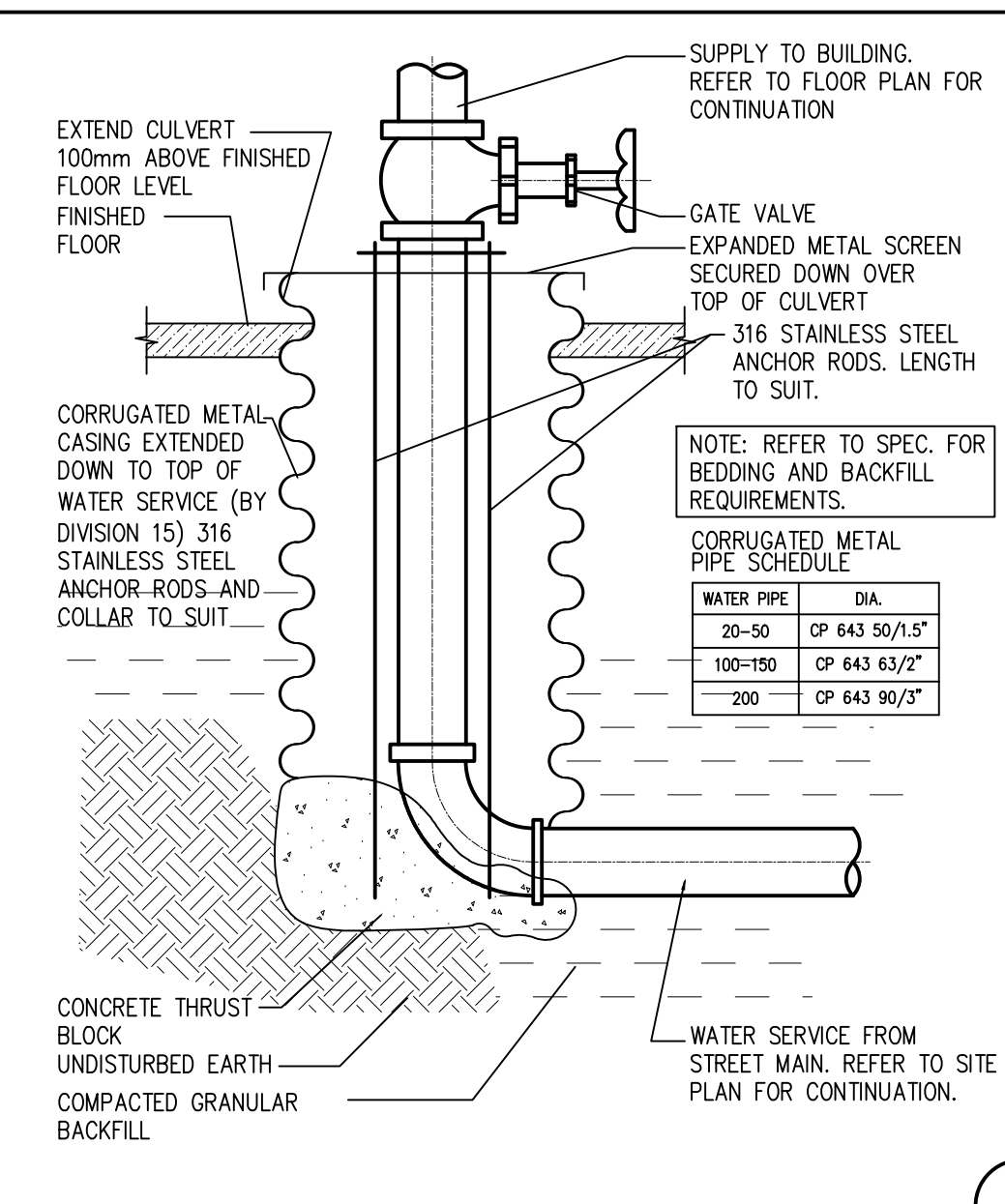
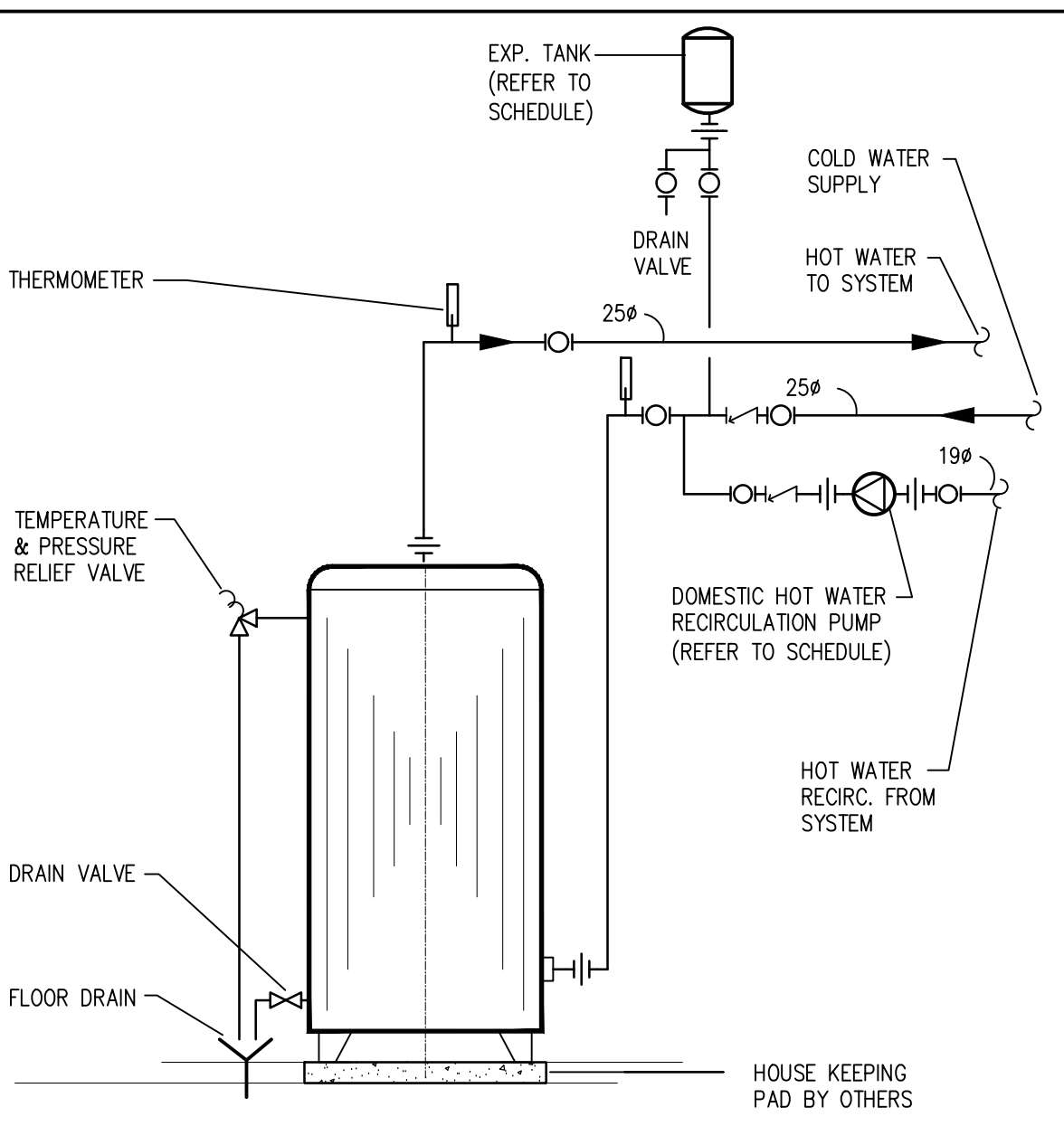
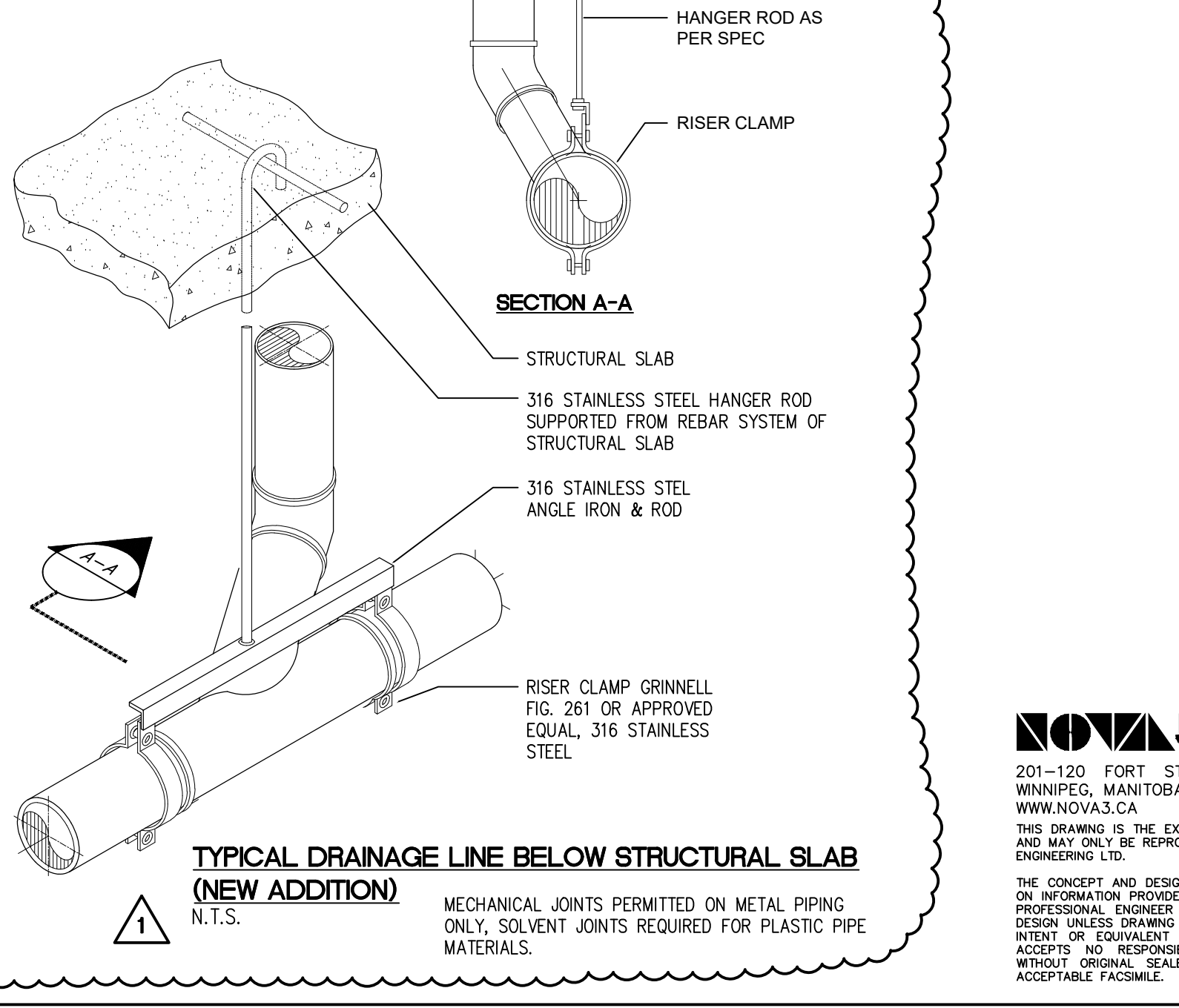
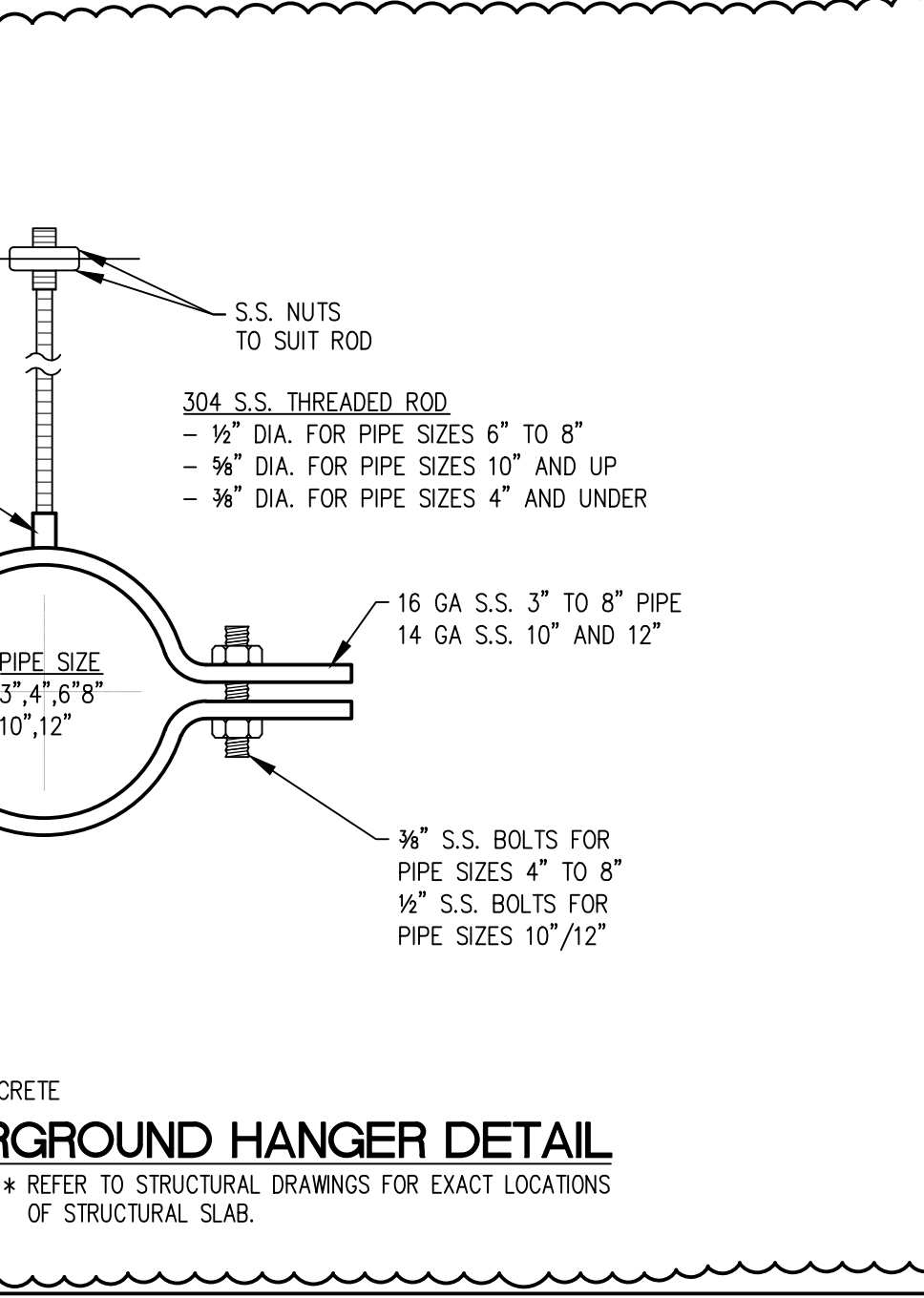
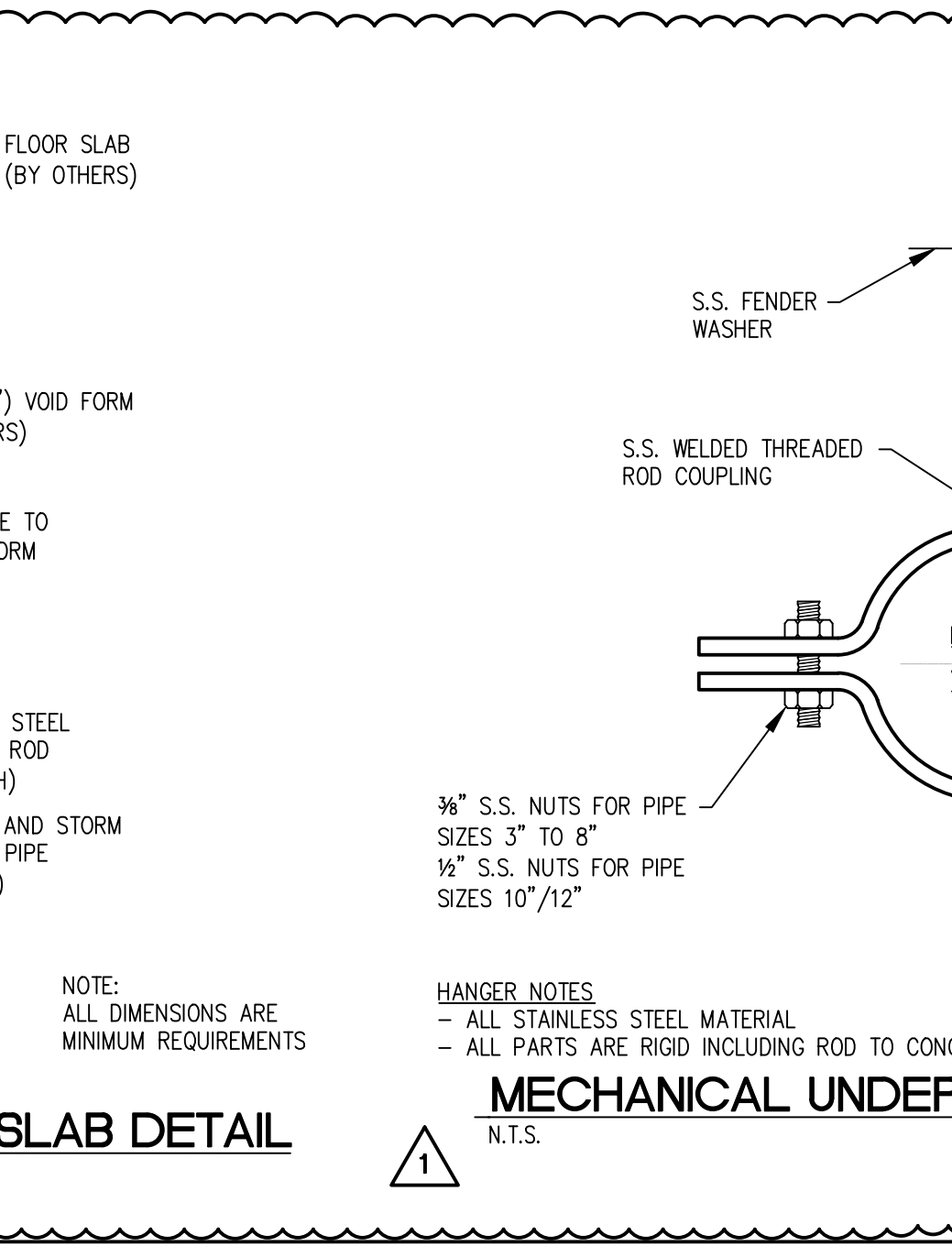
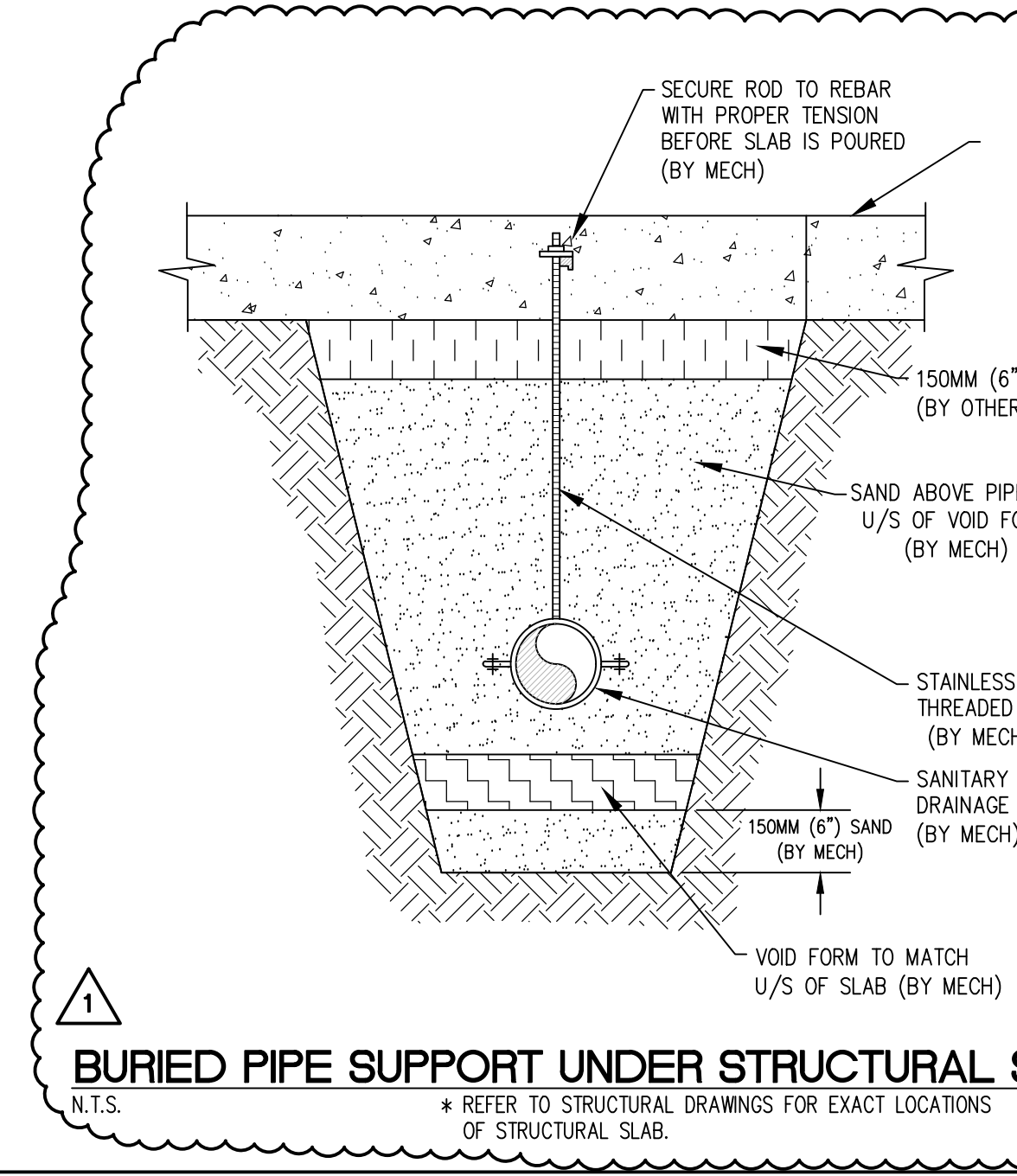
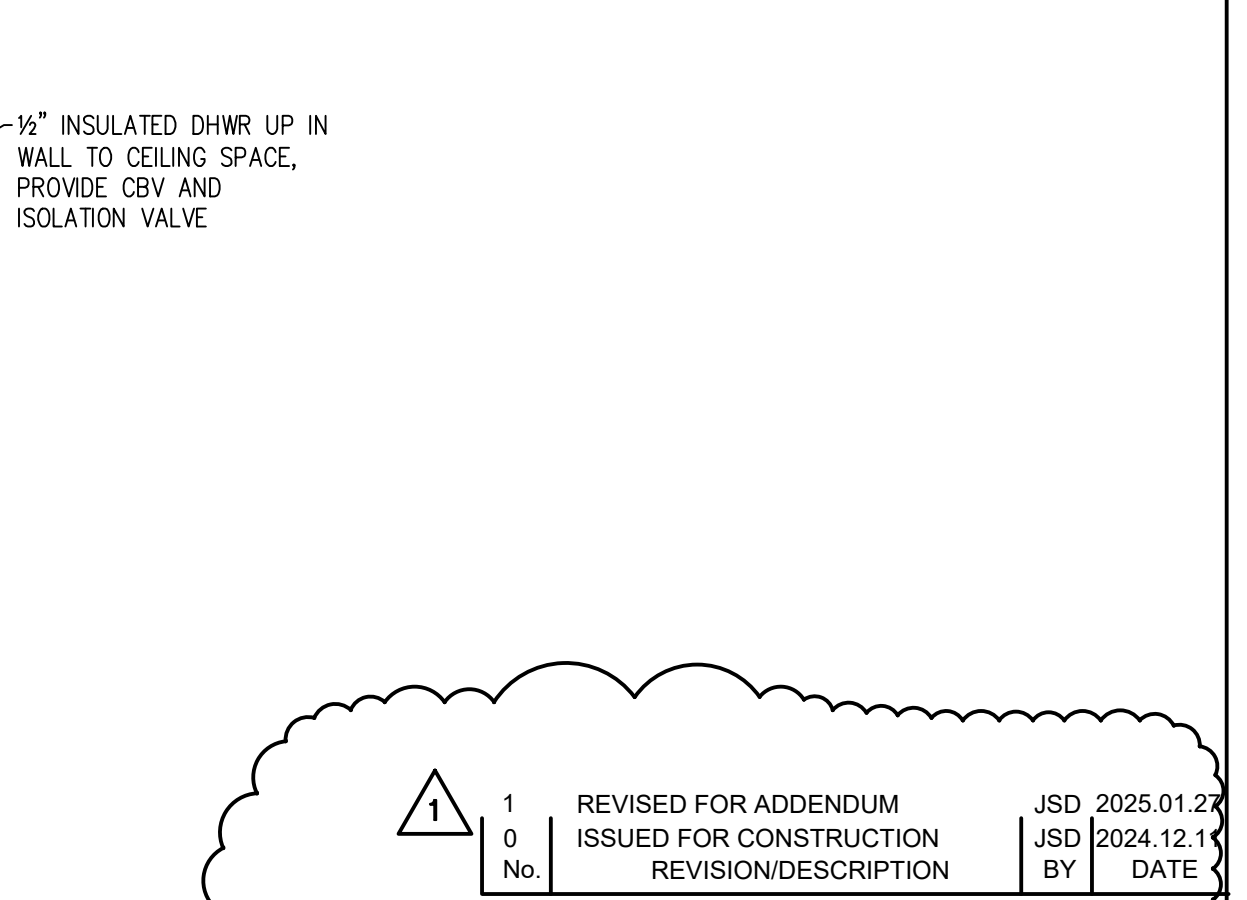
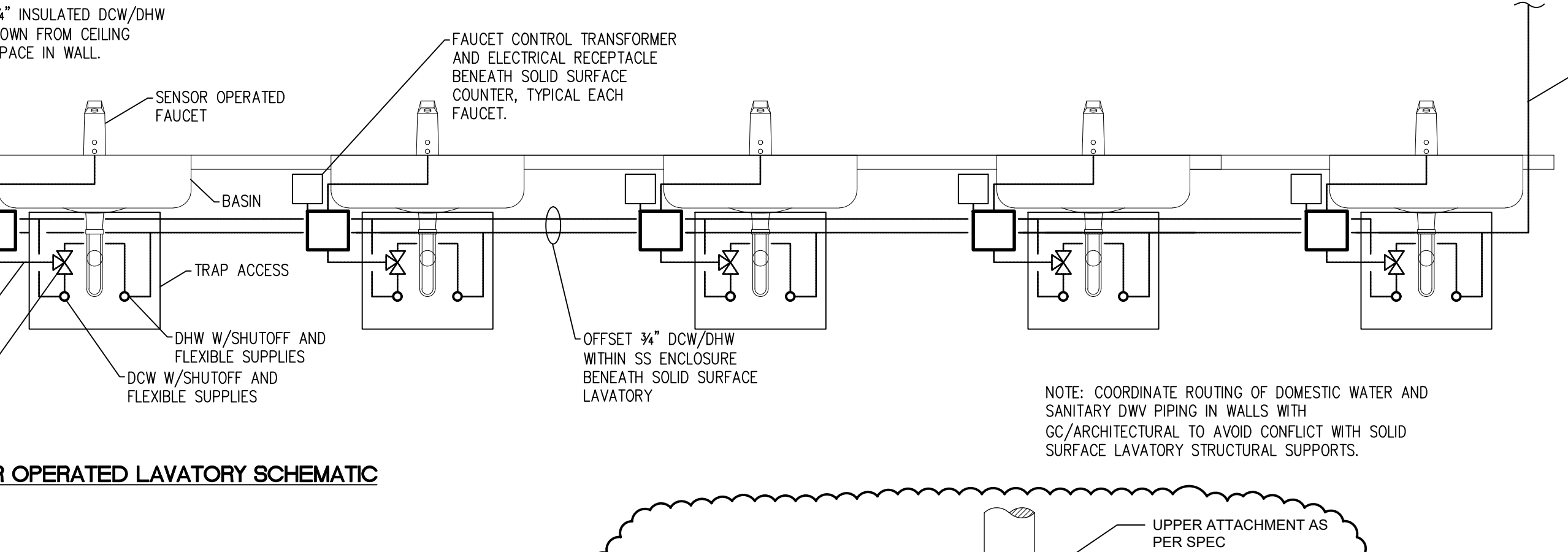
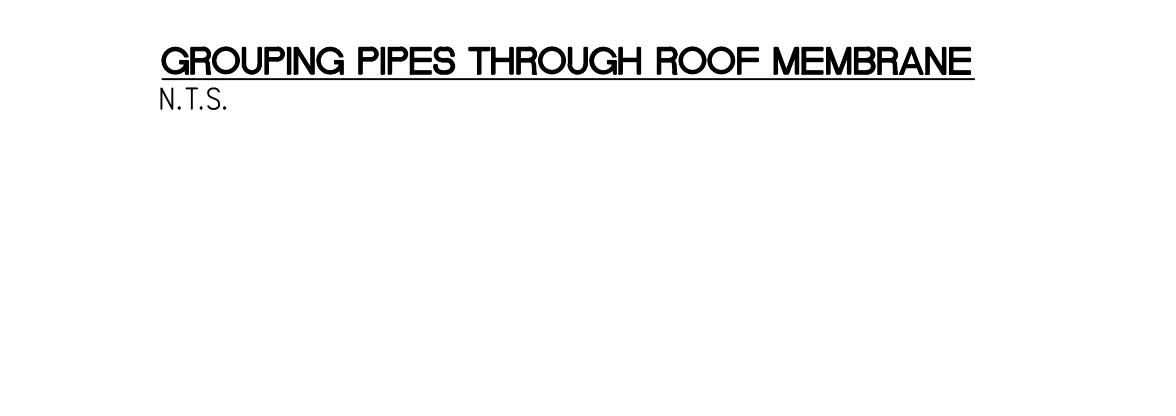


FILE NAME: DATE: SHEET TITLE: PROJECT NO: ADDRESS:



THIS DRAWING TO BE USED AS A GUIDE ONLY. SPRINKLER SYSTEM TO BE INSTALLED AS PER NFP A. #13 AND IN STRICT ACCORDANCE WITH ALL LOCAL CODES AND REGULATIONS. COORDINATE ALL REQUIREMENTS WITH ALL AUTHORITIES HAVING JURISDICTION.



CT/USD DRAWN DATE	JSD CHECKED USER	JSD DESIGNED TC	JSD APPROVED
04/20			

1 0 1
No. REVISION/DESCRIPTION BY DATE

1 REVISOR: JSD 2025.01.27
0 ISSUED FOR CONSTRUCTION JSD 2024.12.11
SEAL

NOVA 3 ENGINEERING LTD. PROFESSIONAL ENGINEERS
201-120 FORT STREET TEL: (204) 943-6142
WINNIPEG, MANITOBA R3C 1C7 FAX: (204) 942-1276
WWW.NOVA3.CA JNL: 41-193

THE CITY OF WINNIPEG ASSETS and PROJECT MANAGEMENT DEPARTMENT MUNICIPAL ACCOMMODATIONS DIVISION
PROJECT 3-65 GARRY STREET, R3C 4K4
REDEVELOPMENT OF THE OLD EXHIBITION ARENA ISSUED FOR CONSTRUCTION
80 SINCLAIR STREET
SHEET TITLE
MECHANICAL DETAILS

SCALE AS SHOWN PROJECT No: 2020-136 SHEET No: M5.2R1
DRAWING SHEET SIZE: A1 (841mm x 594mm) PLOT 1:1

NOTE: ALL DIMENSIONS ARE MINIMUM REQUIREMENTS

HANGER NOTES
- ALL STAINLESS STEEL MATERIAL
- ALL PARTS ARE RIGID INCLUDING ROD TO CONCRETE

NOTE: COORDINATE ROUTING OF DOMESTIC WATER AND SANITARY DWV PIPING IN WALLS WITH GC/ARCHITECTURAL TO AVOID CONFLICT WITH SOLID SURFACE LAVATORY STRUCTURAL SUPPORTS.

MECHANICAL JOINTS PERMITTED ON METAL PIPING ONLY. SOLVENT JOINTS REQUIRED FOR PLASTIC PIPE MATERIALS.