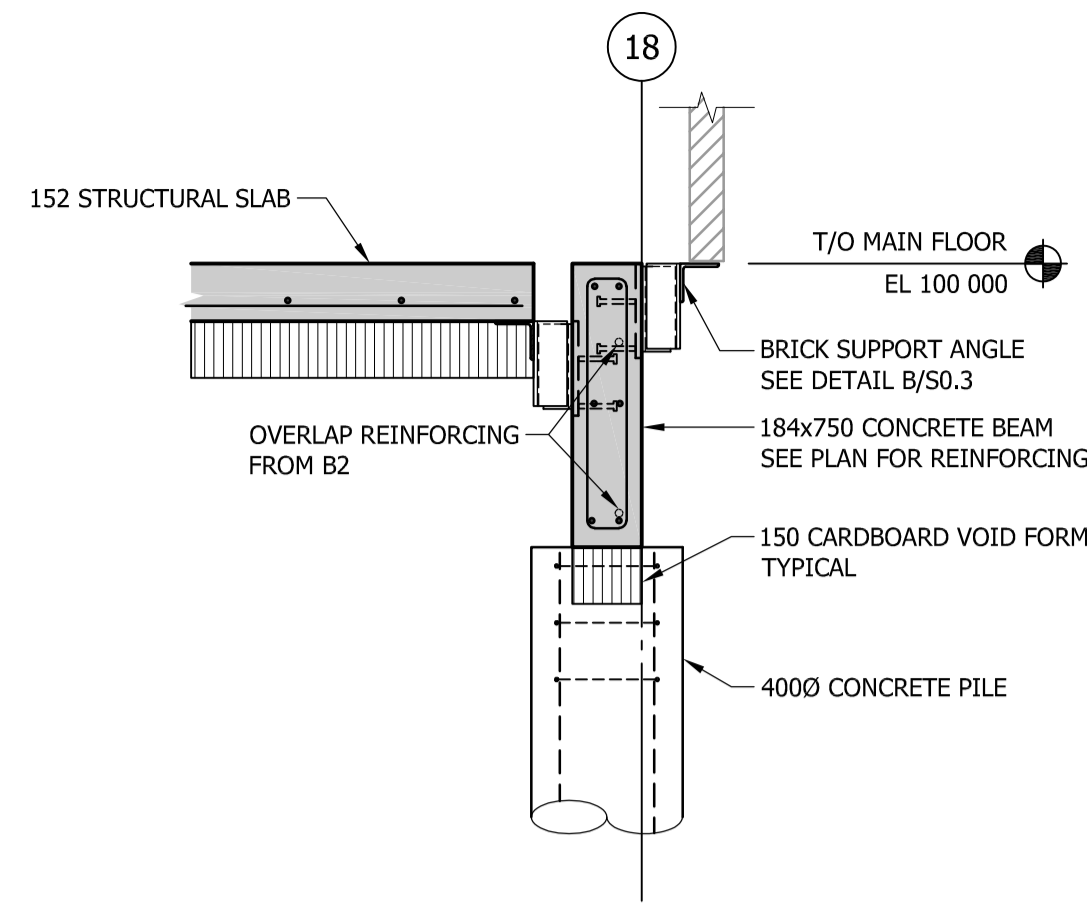
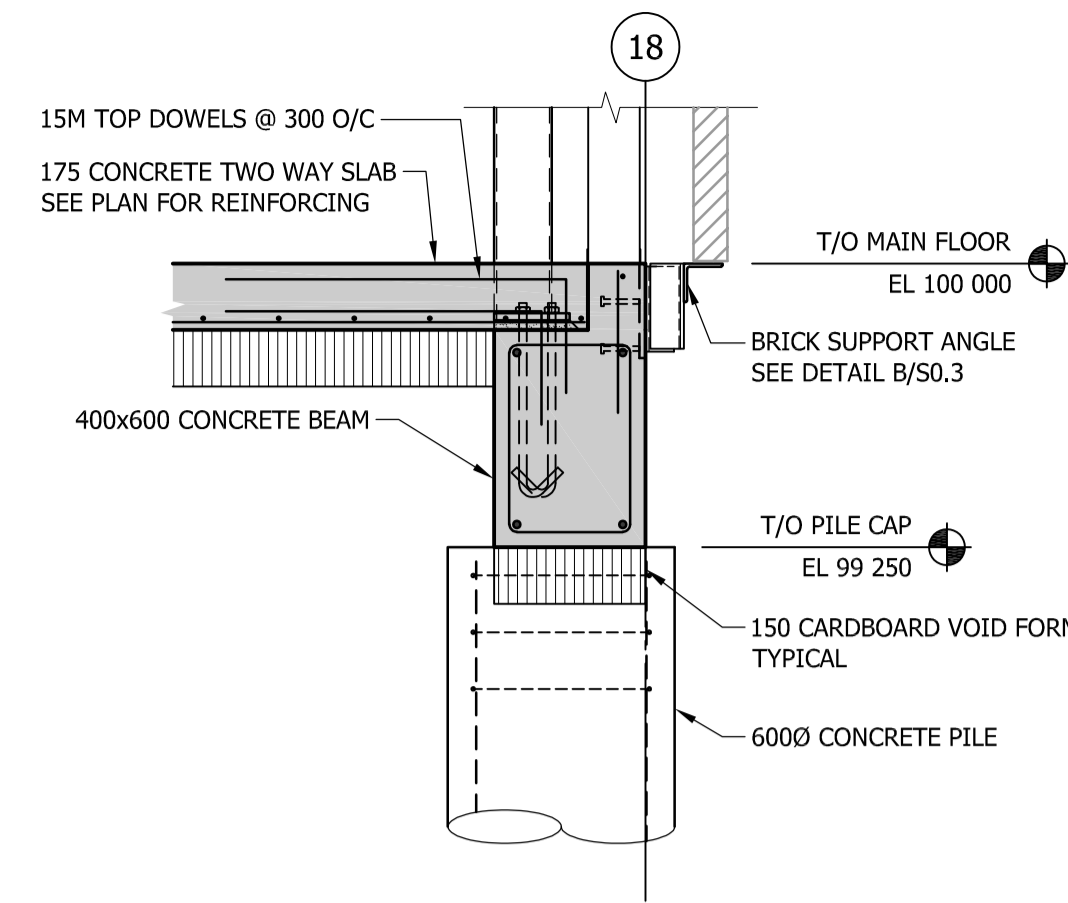


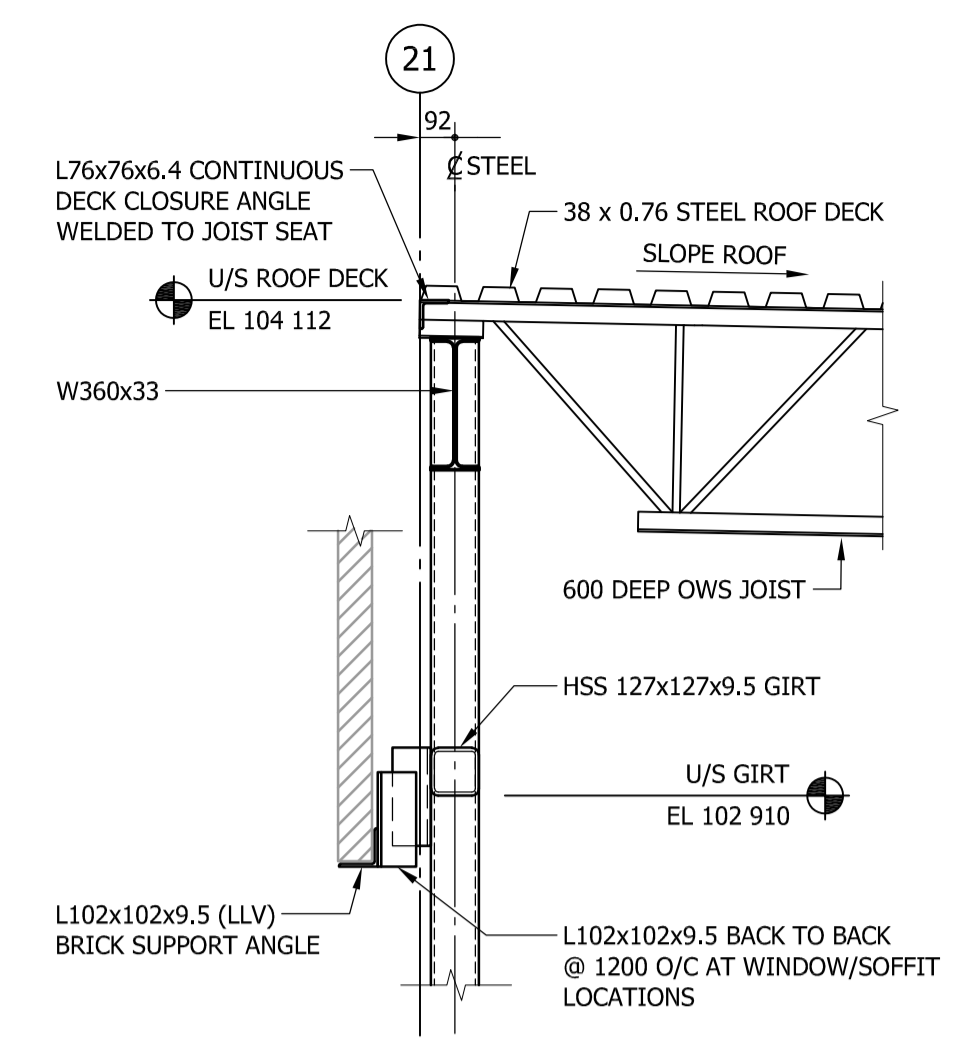
**1 SECTION**  
S2.1 S6.0 1:20



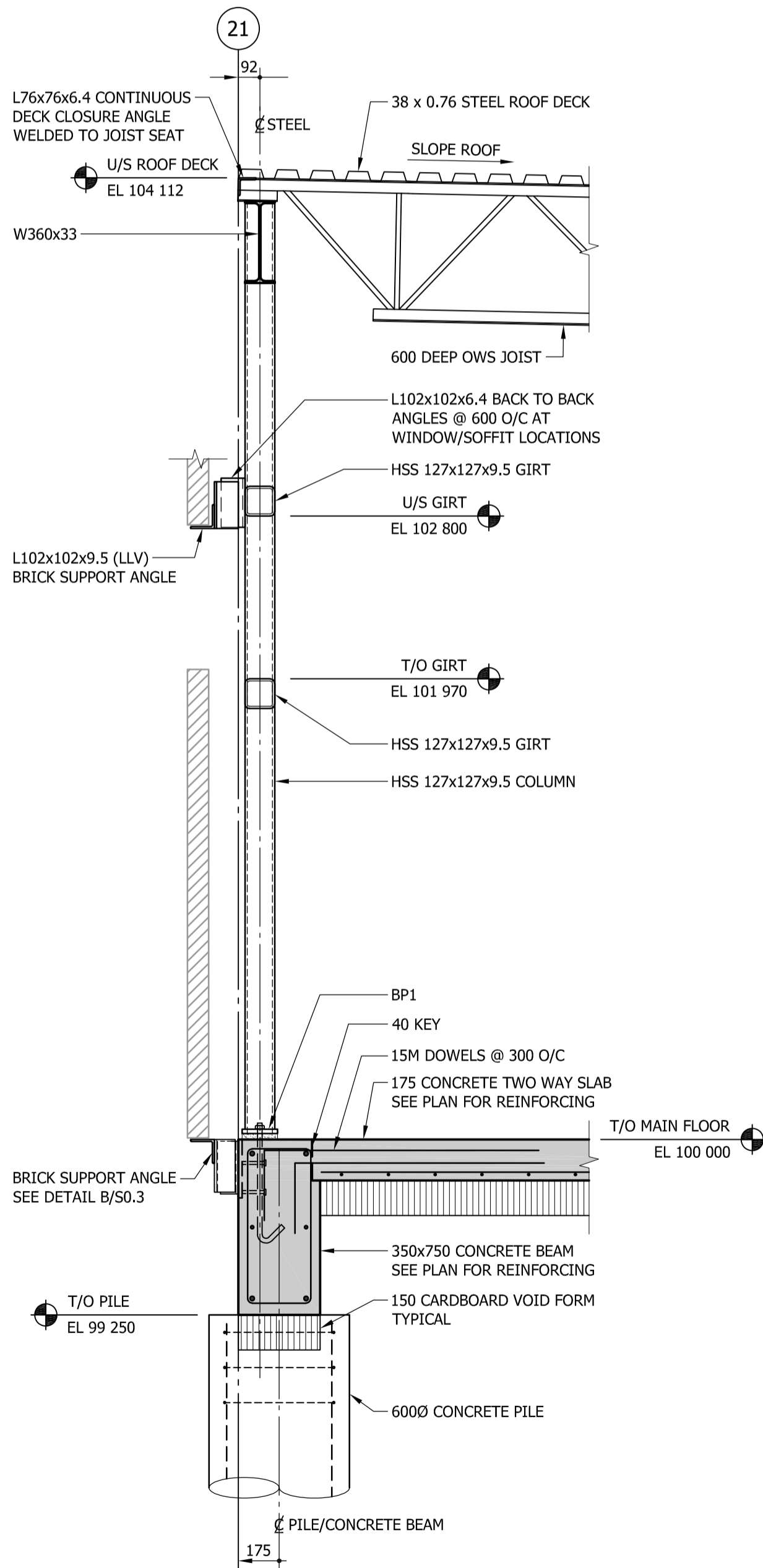
**6 SECTION**  
S2.2 S6.0 1:20



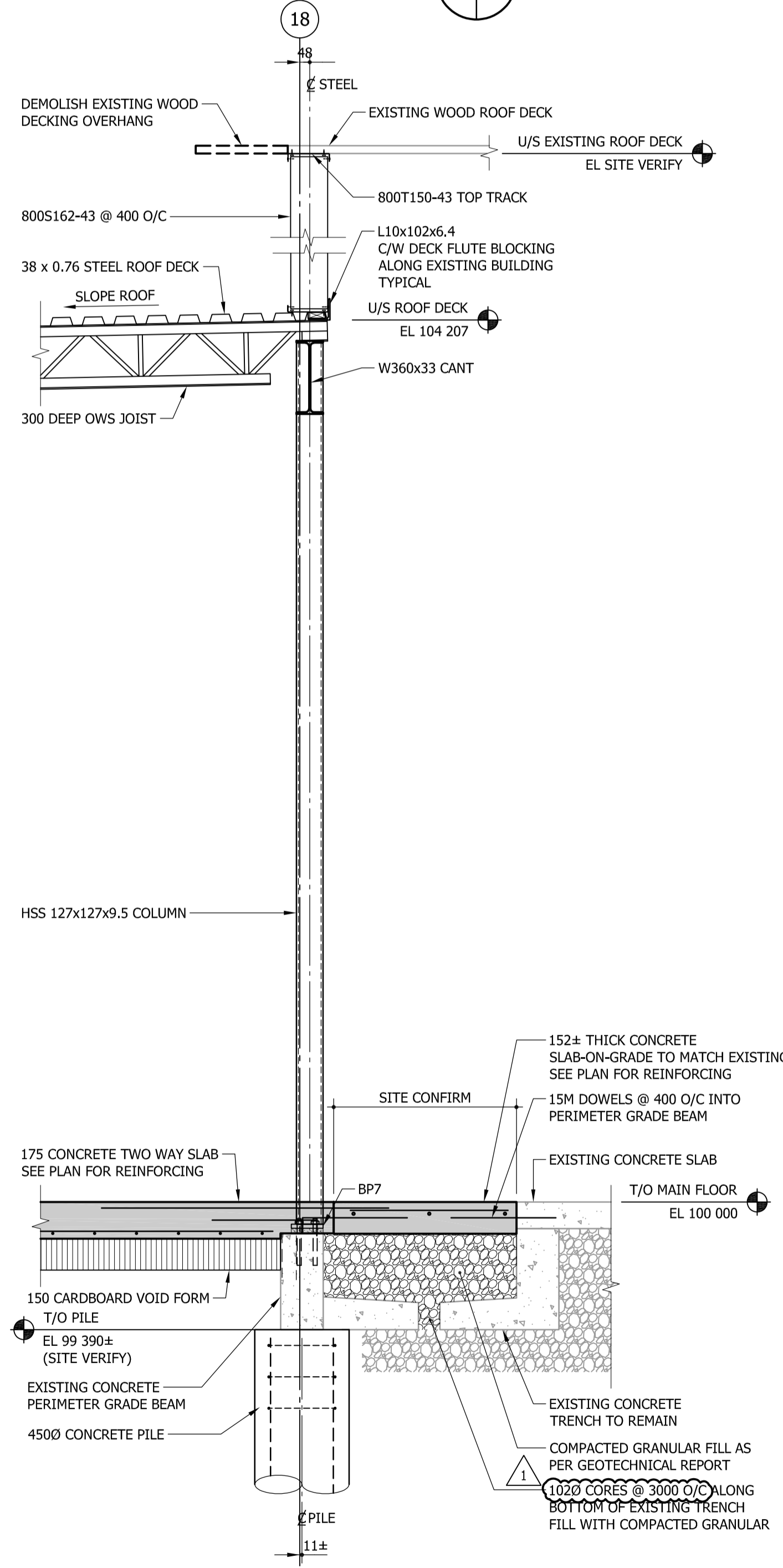
**7 SECTION**  
S2.2 S6.0 1:20



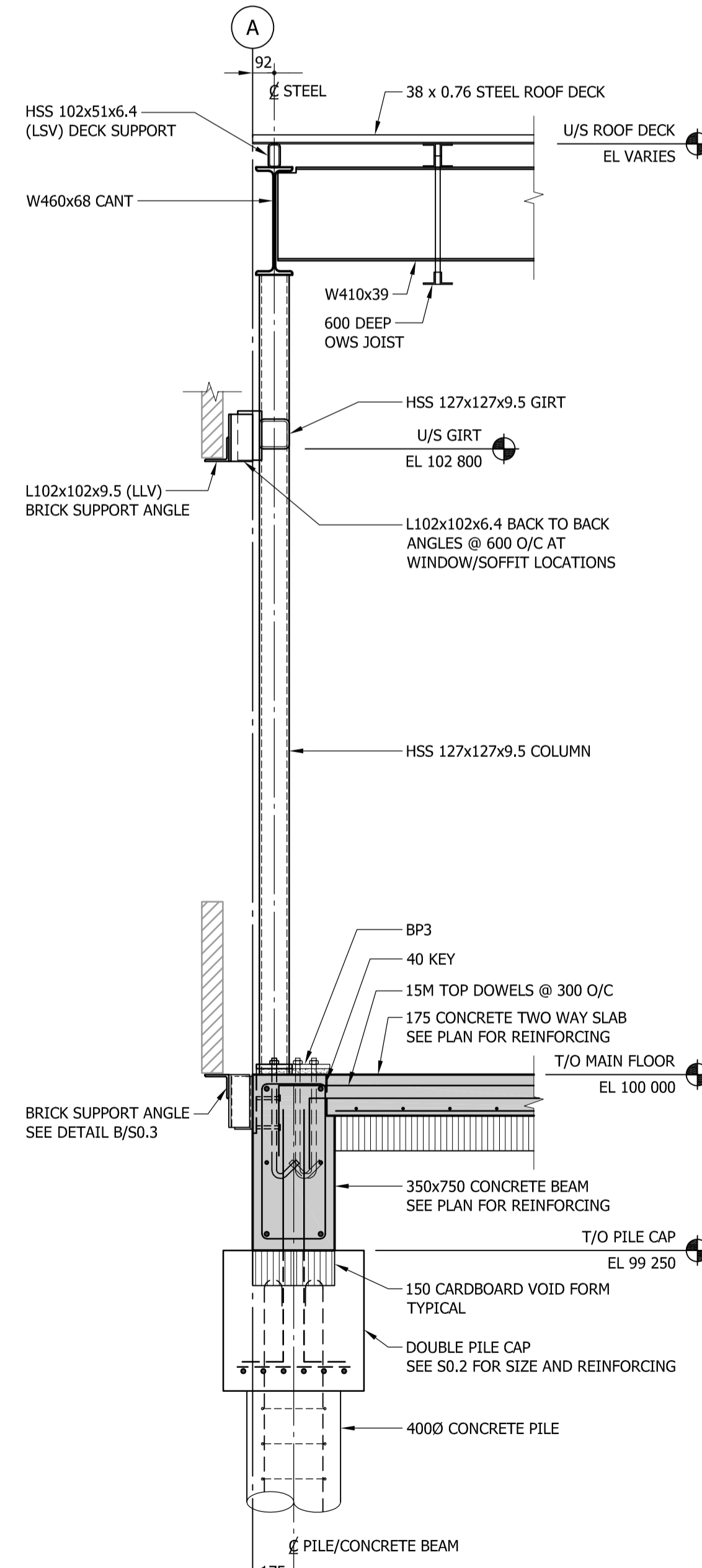
**8 SECTION**  
S2.2 S6.0 1:20



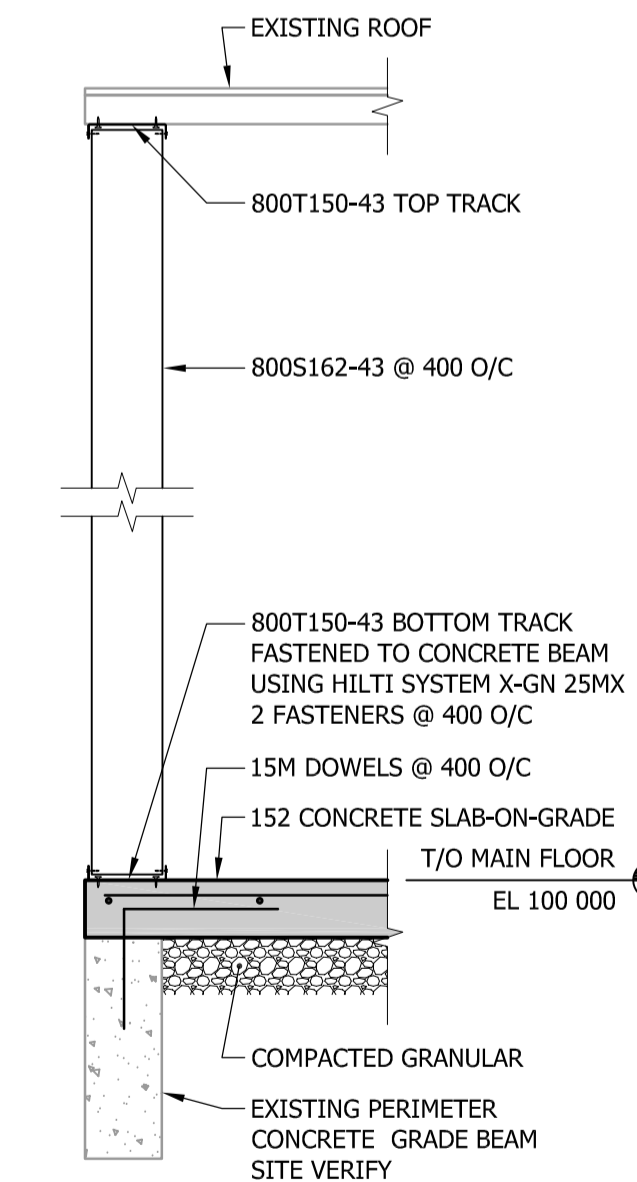
**2 SECTION**  
S2.2 S6.0 1:20



**3 SECTION**  
S2.2 S6.0 1:20



**4 SECTION**  
S2.2 S6.0 1:20



**5 SECTION**  
S2.2 S6.0 1:20

NOTES:



1	ISSUED FOR ADD-03	BCC	02-04
0	ISSUED FOR CONSTRUCTION	BCC	12/17
No.	REVISION/DESCRIPTION	BY	DATE

DRAWING SEALED BY  
B.C.J. CIRNELSEN  
AND DATED  
2024-12-17



KG/ERB	CHECKED	BF	DESIGNED	BCC	APPROVED	BF
DRAWN	USER	APPROVAL	CAD			
DATE	2024.12.16					

THE CITY OF WINNIPEG  
ASSETS and PROJECT MANAGEMENT  
DEPARTMENT  
MUNICIPAL ACCOMMODATIONS  
DIVISION  
PROJECT 3-65 GARRY STREET, R3C 4K4  
**OLD EXHIBITION ARENA  
REDEVELOPMENT  
ISSUED FOR CONSTRUCTION**  
80 SINCLAIR STREET

SHEET TITLE  
**SECTIONS**

SCALE	PROJECT No:	SHEET No:
AS SHOWN	2020-136	<b>S6.0</b>