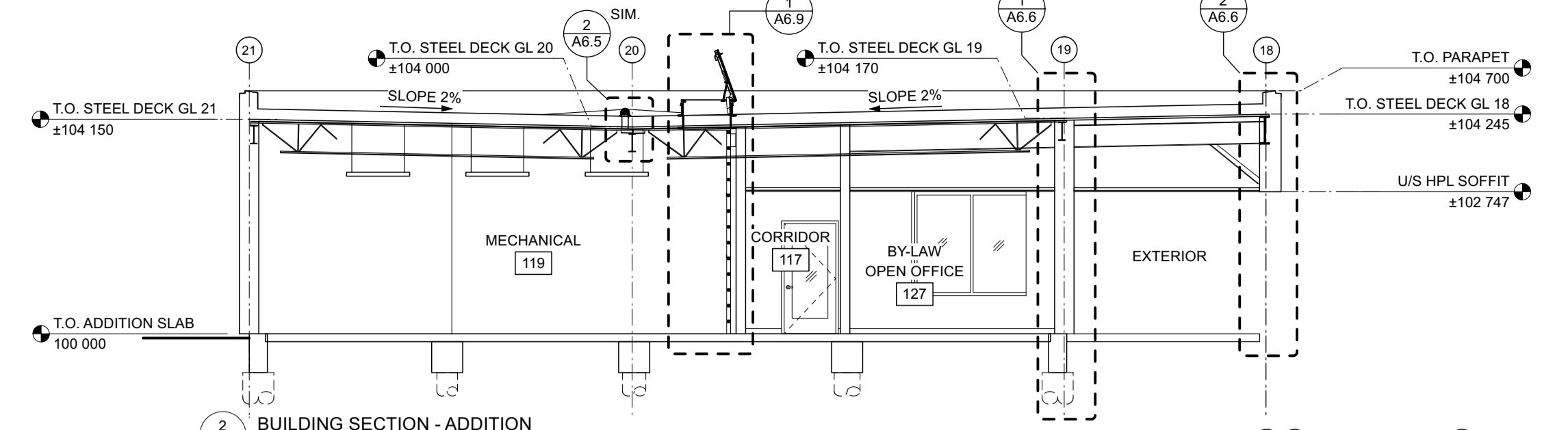
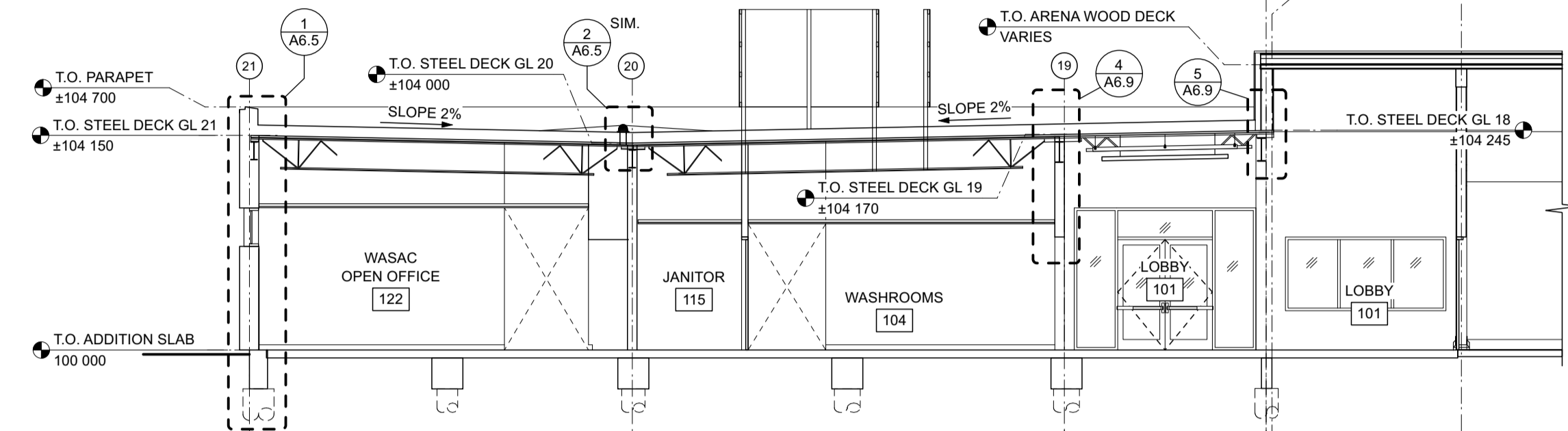


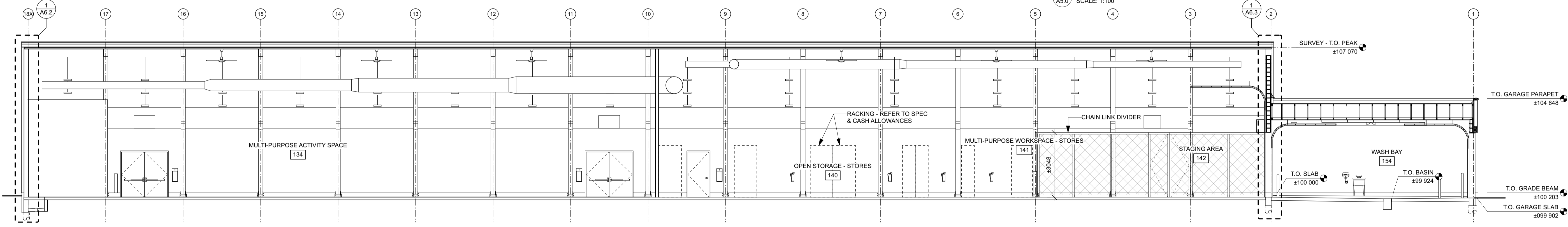
1 BUILDING SECTION - ARENA
SCALE: 1:100



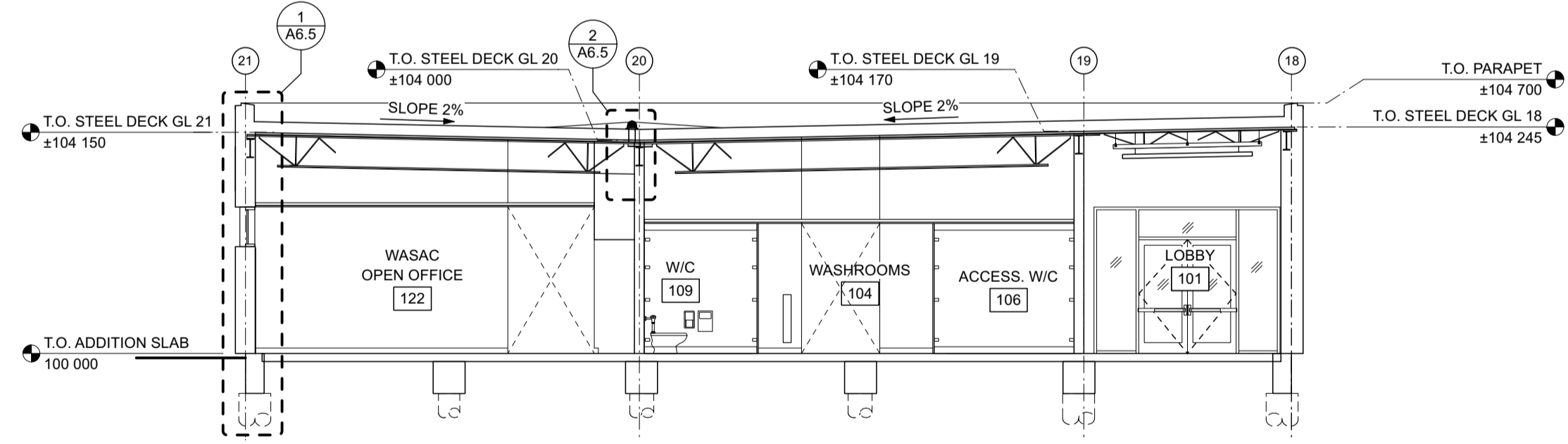
2 BUILDING SECTION - ADDITION
SCALE: 1:100



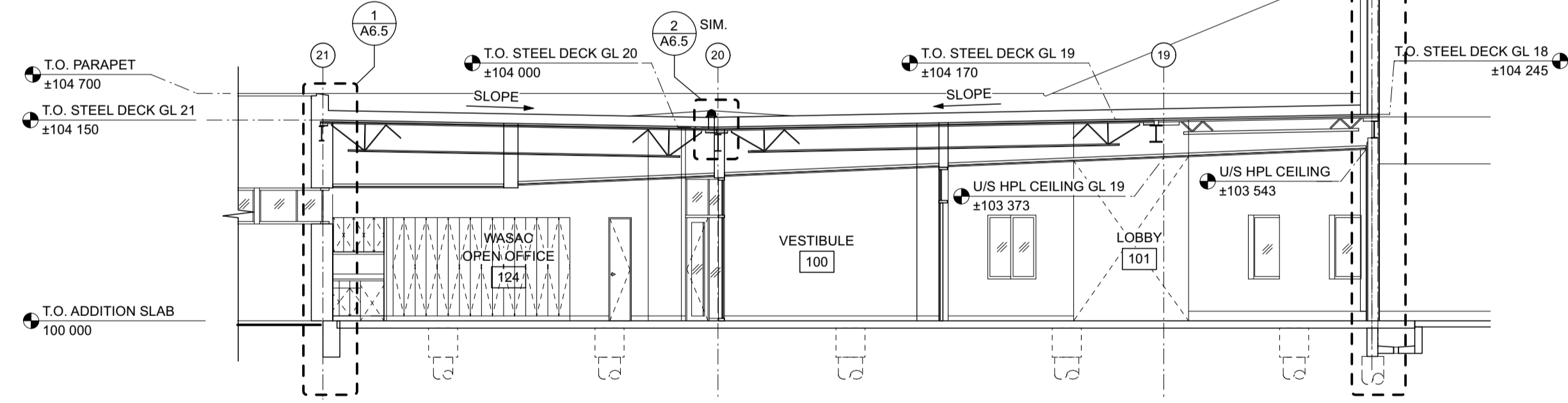
3 BUILDING SECTION - ADDITION
SCALE: 1:100



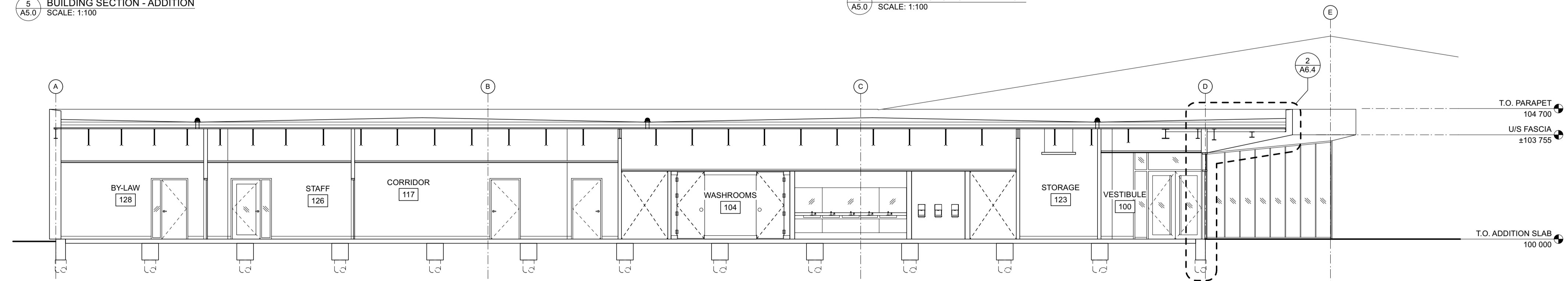
4 BUILDING SECTION - ARENA
SCALE: 1:100



5 BUILDING SECTION - ADDITION
SCALE: 1:100



6 BUILDING SECTION - ADDITION
SCALE: 1:100

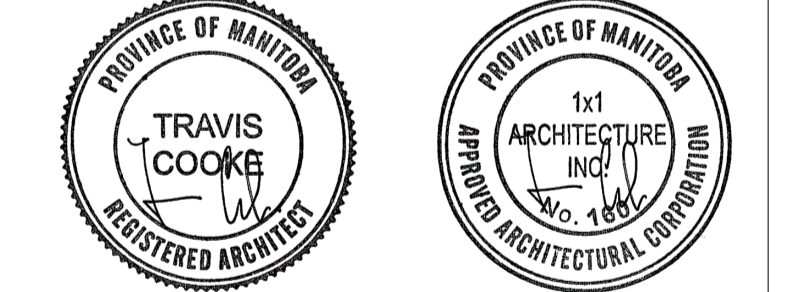


7 BUILDING SECTION - ADDITION
SCALE: 1:100

NOTES:

x | architecture inc.

No.	REVISION/DESCRIPTION	BY	DATE



DATE	USER	APPROVAL	DATE	USER	APPROVAL
2024.12.18			2024.12.18		

THE CITY OF WINNIPEG
ASSETS and PROJECT MANAGEMENT
DEPARTMENT
MUNICIPAL ACCOMMODATIONS
DIVISION
PROJECT
3-65 GARRY STREET, R3C 4K4
**REDEVELOPMENT OF THE
OLD EXHIBITION ARENA
ISSUED FOR CONSTRUCTION**
80 SINCLAIR STREET

SHEET TITLE
BUILDING SECTIONS

SCALE AS SHOWN	PROJECT No: 2020-136	SHEET No: A5.0
-------------------	-------------------------	--------------------------