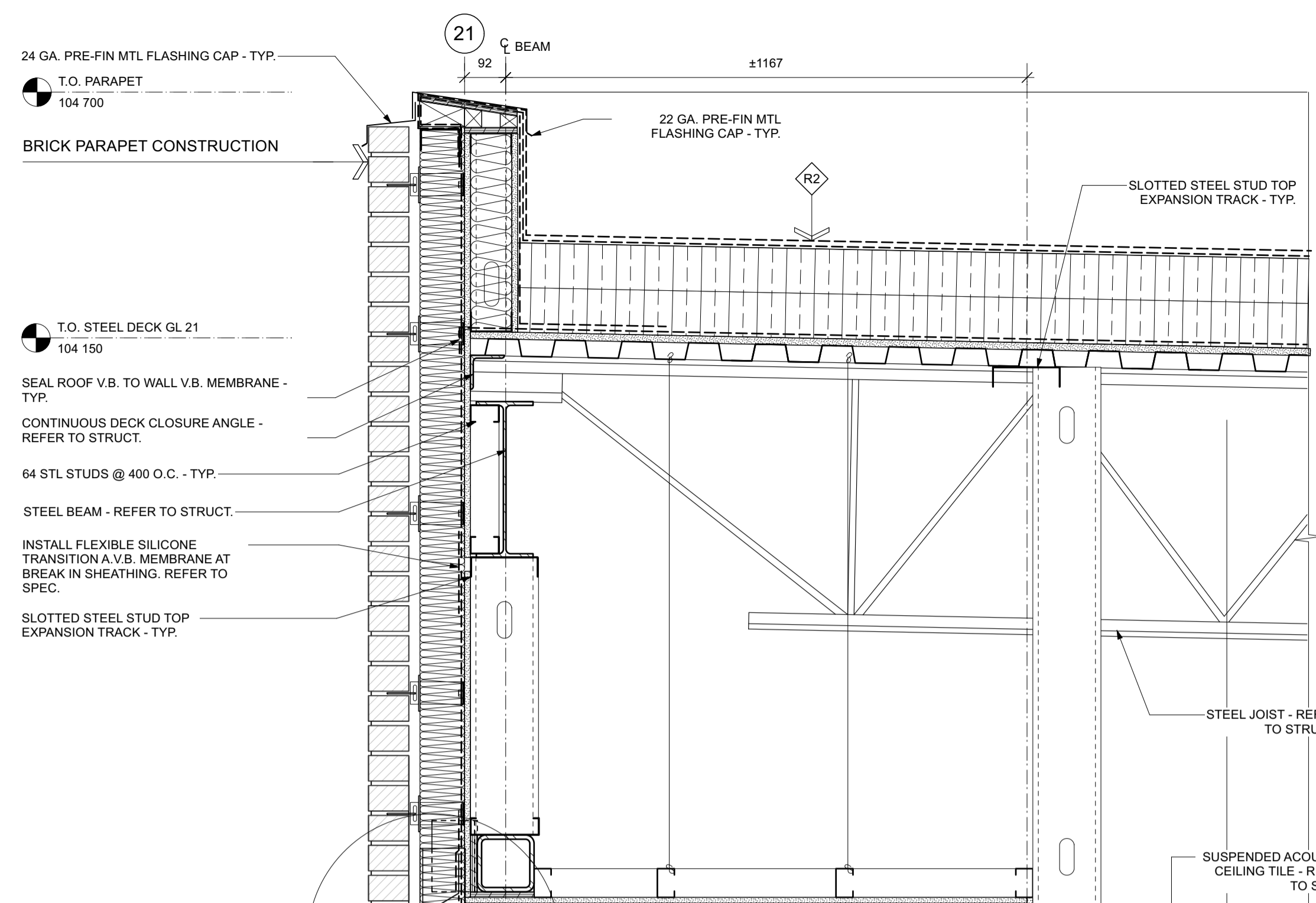
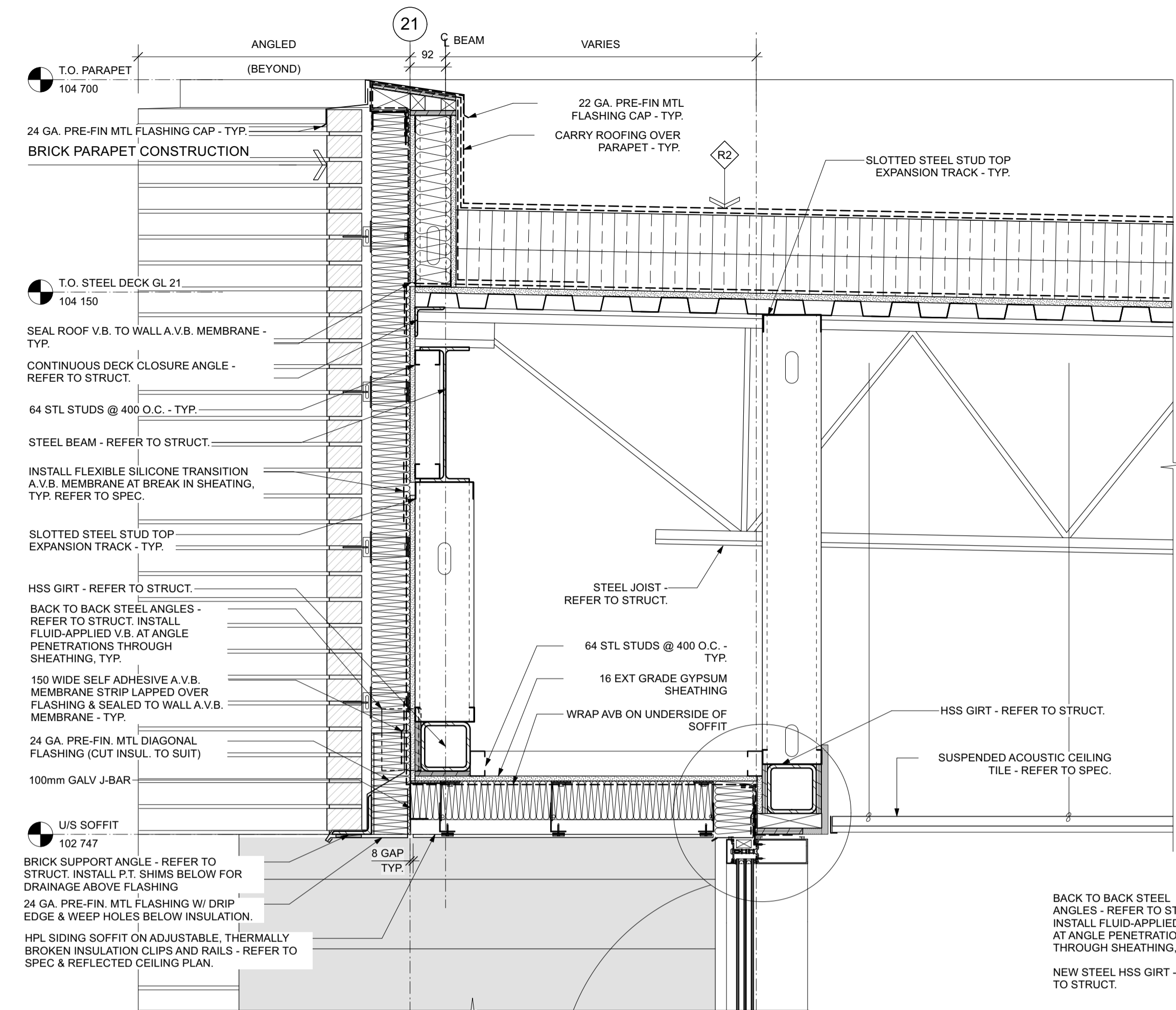
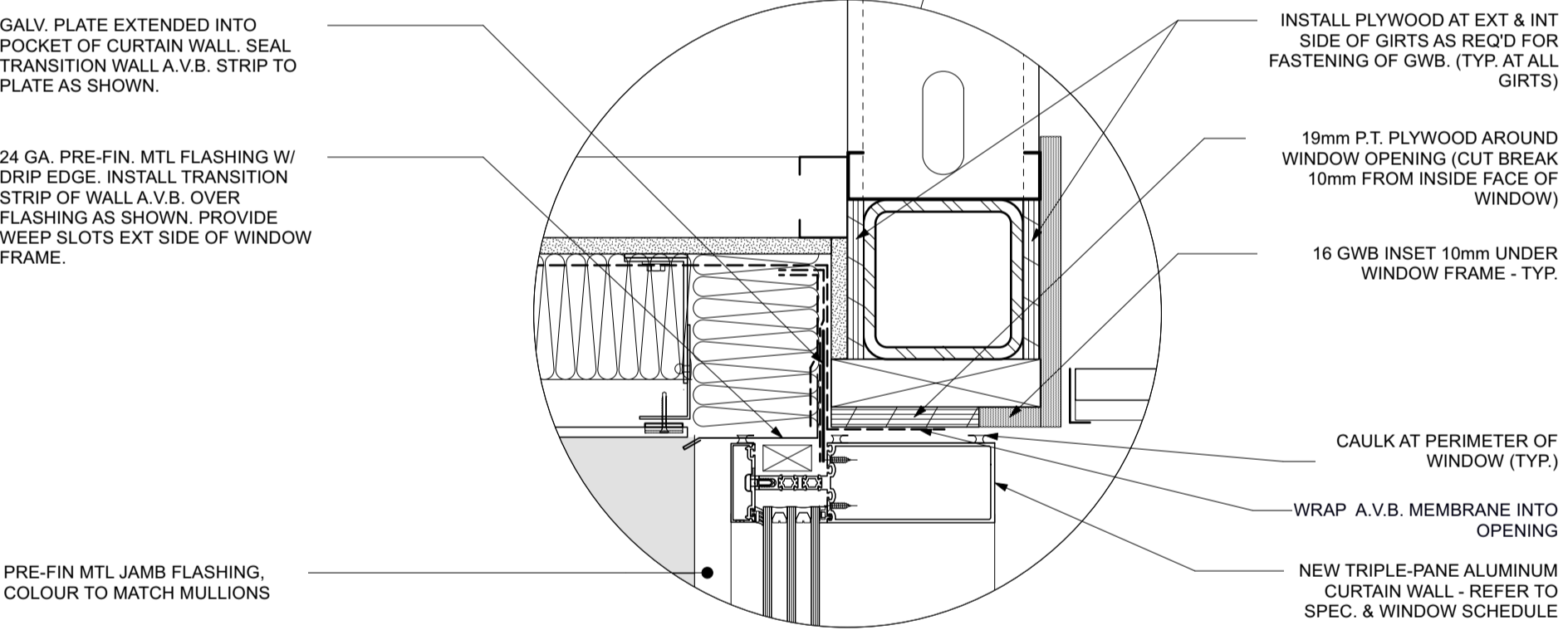
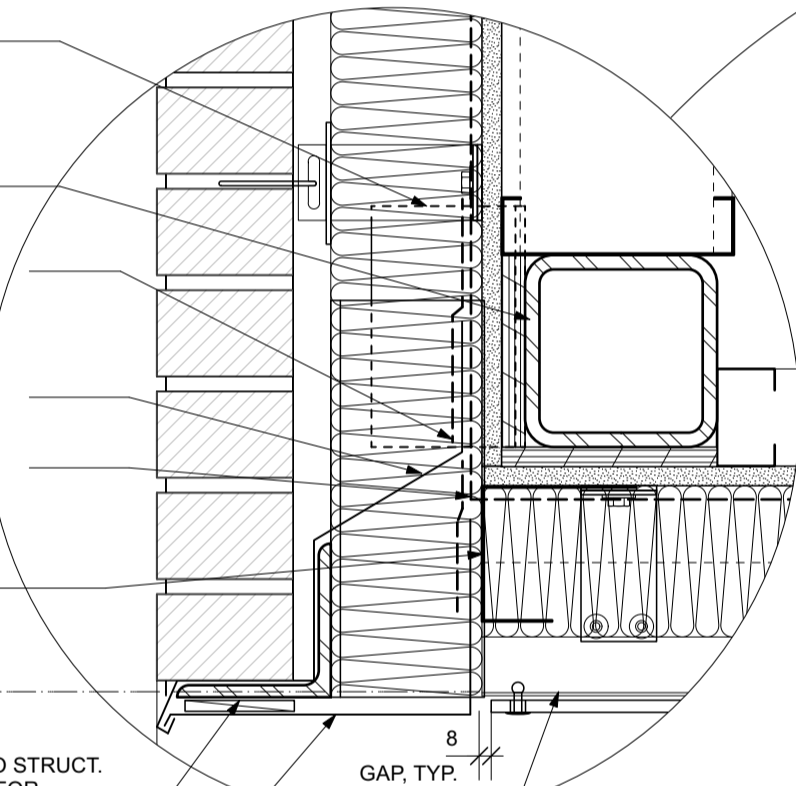


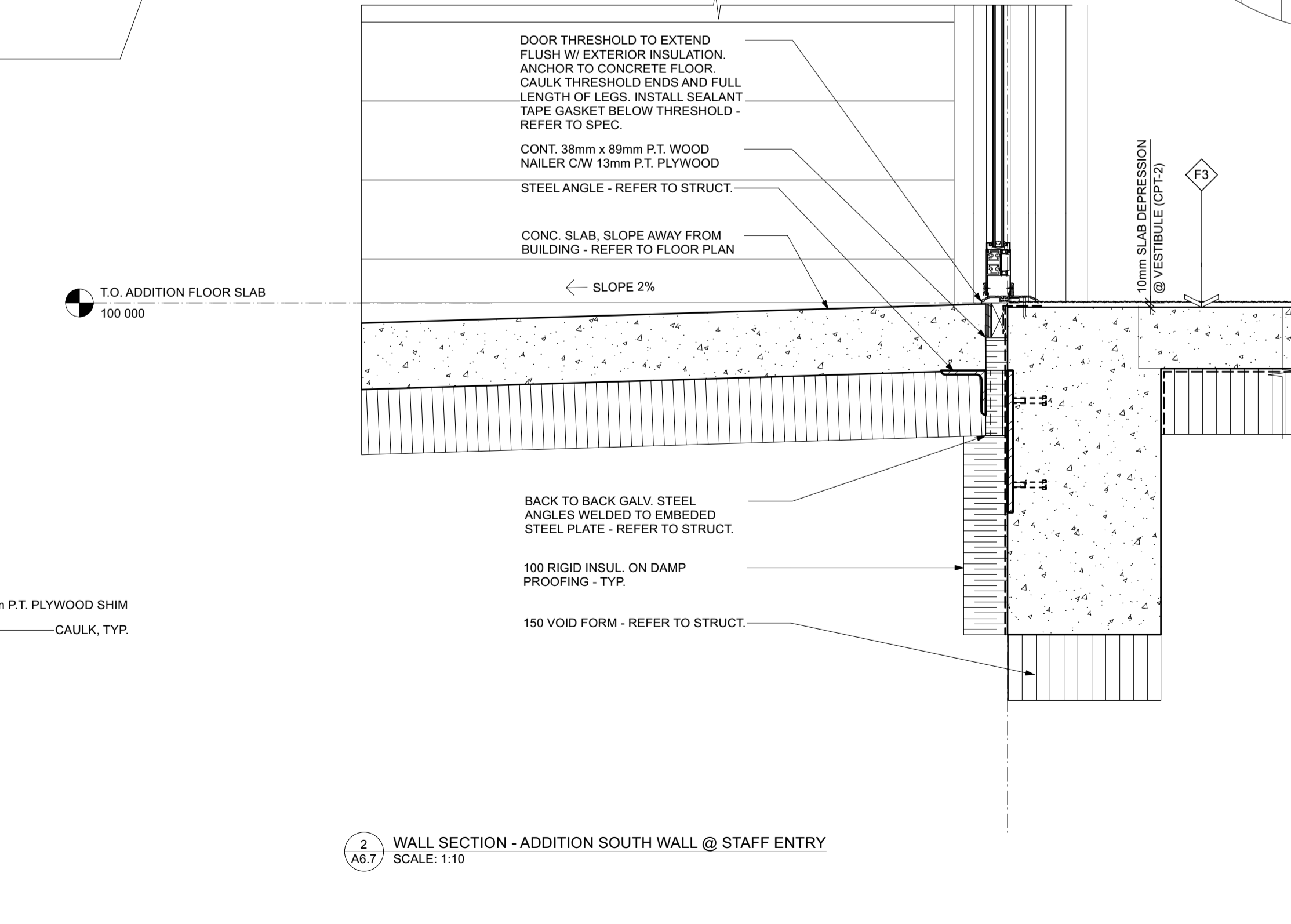
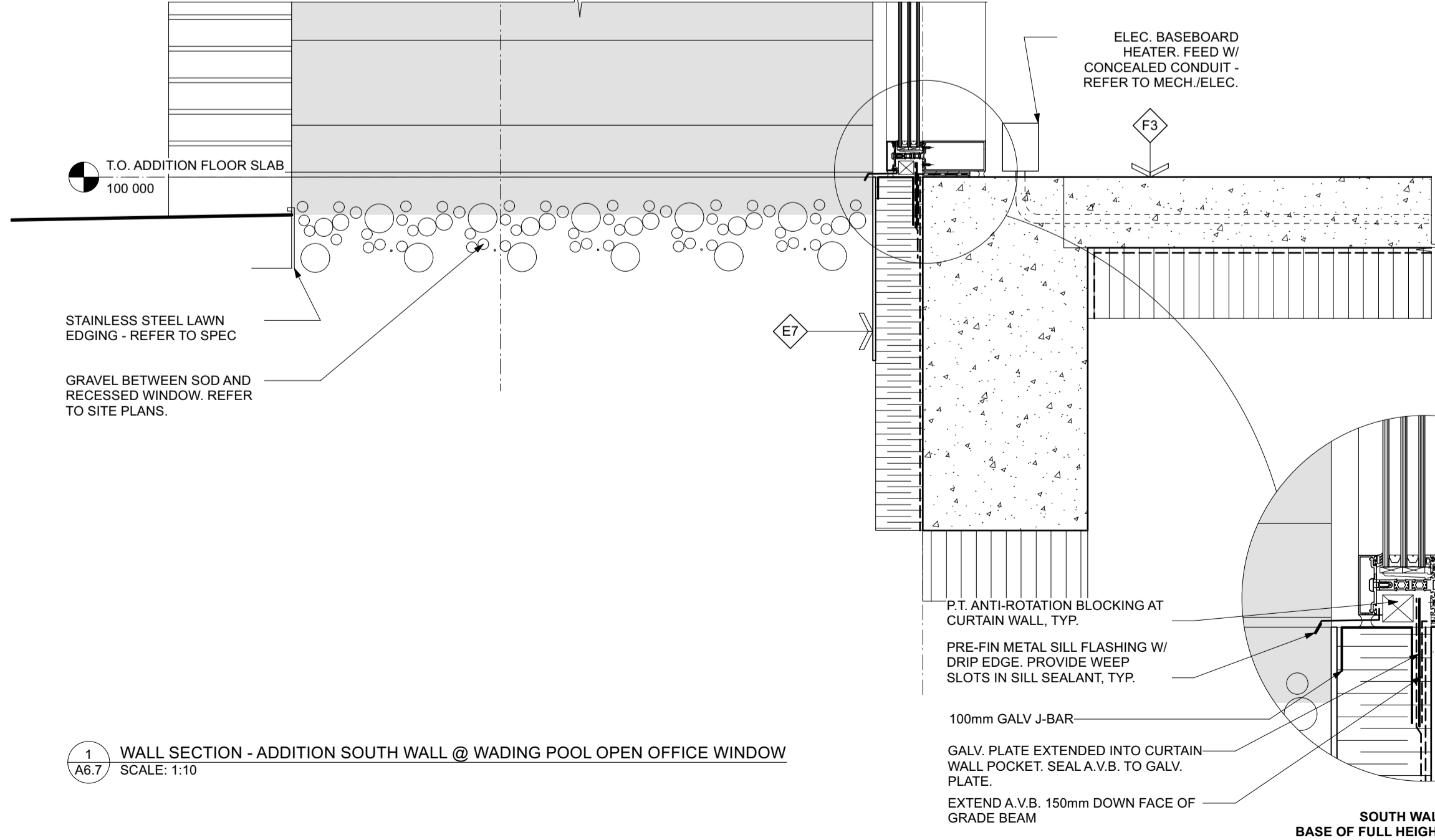
NOTES:



SOUTH WALL OVERHANGS TYP. SOFFIT EDGE DETAIL (ADDITION)



BACK TO BACK STEEL ANGLES - REFER TO STRUCT. INSTALL FLUID-APPLIED V.B. AT ANGLE PENETRATIONS THROUGH SHEATHING, TYP.  
 NEW STEEL HSS GIRTS - REFER TO STRUCT.  
 150 WIDE SELF ADHESIVE V.B. MEMBRANE STRIP LAPPED OVER FLASHING & SEALED TO WALL V.B. MEMBRANE - TYP.  
 24 GA. PRE-FIN. MTL DIAGONAL FLASHING (CUT INSUL. TO SUIT)  
 WRAP A.V.B. MEMBRANE ONTO UNDERSIDE OF SOFFIT  
 100mm GALV J-BAR  
 U/S SOFFIT 102 747  
 BRICK SUPPORT ANGLE - REFER TO STRUCT. INSTALL P.T. SHIMS BELOW ANGLE FOR DRAINAGE ABOVE FLASHING.  
 24 GA. PRE-FIN. MTL FLASHING W/ DRIP EDGE. PROVIDE WEEP SLOTS BELOW INSULATION.  
 HPL SIDING SOFFIT ON ADJUSTABLE, THERMALLY BROKEN INSULATION CLIPS AND RAILS - REFER TO SPEC & REFLECTED CEILING PLAN.



2 WALL SECTION - ADDITION SOUTH WALL @ STAFF ENTRY SCALE: 1:10

1 WALL SECTION - ADDITION SOUTH WALL @ WADING POOL OPEN OFFICE WINDOW SCALE: 1:10

SOUTH WALL TYP. DETAIL BASE OF FULL HEIGHT WINDOWS (ADDITION)

x | architecture inc.

No.	REVISION/DESCRIPTION	BY	DATE
1	REVISED FOR CONSTRUCTION	TC	2024-12-18

DRAWN: HC  
 CHECKED: TC  
 DESIGNED: TC  
 APPROVED: TC  
 DATE: 2024.12.18  
 USER: APPROVAL  
 ICA/ISS

THE CITY OF WINNIPEG  
 ASSETS and PROJECT MANAGEMENT  
 DEPARTMENT  
 MUNICIPAL ACCOMMODATIONS  
 DIVISION

PROJECT  
 3-65 GARRY STREET, R3C 4K4  
 REDEVELOPMENT OF THE  
 OLD EXHIBITION ARENA  
 ISSUED FOR CONSTRUCTION  
 80 SINCLAIR STREET

SHEET TITLE  
 WALL SECTIONS

SCALE: AS SHOWN  
 PROJECT No: 2020-136  
 SHEET No: A6.7  
 DRAWING SHEET SIZE: A1 (841mm x 594mm) PLOT 1:1