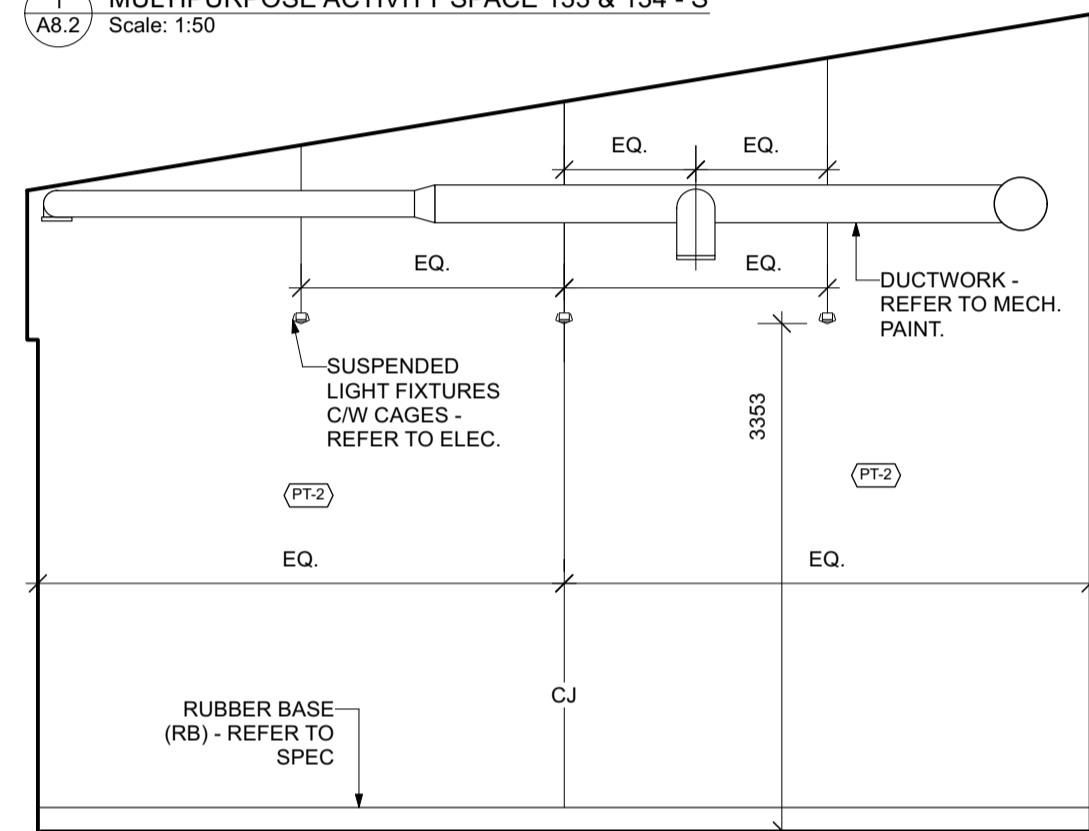
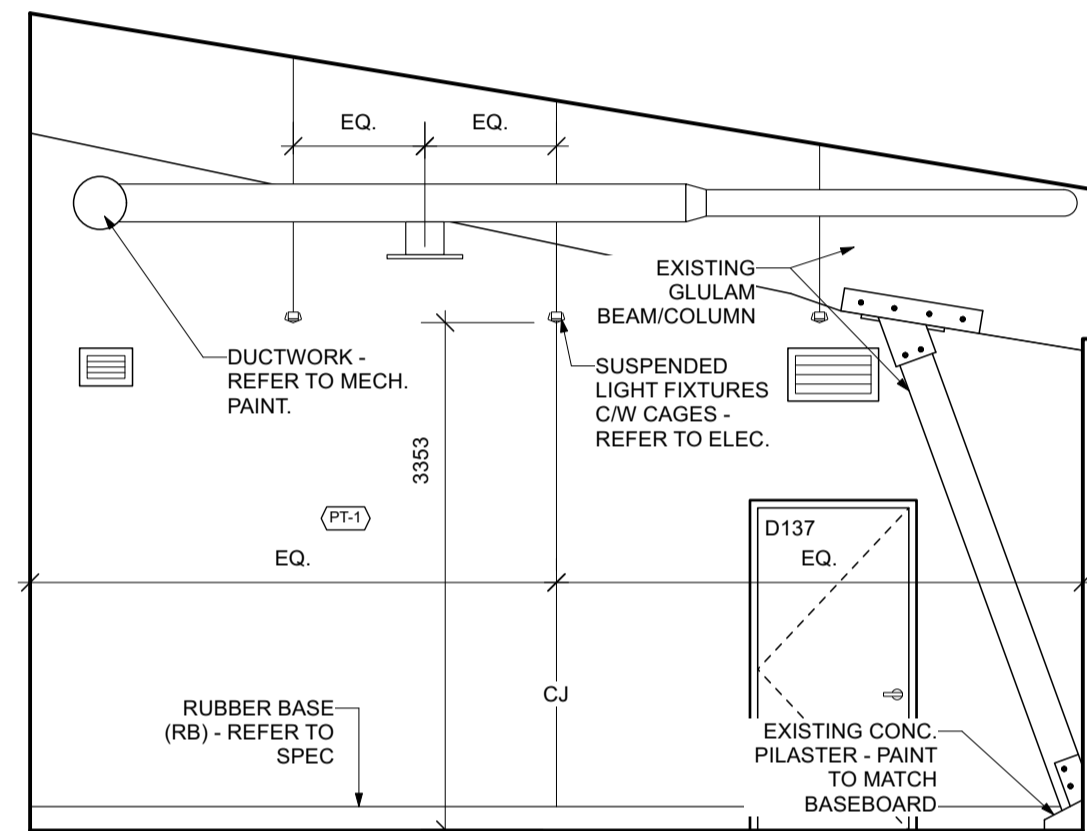


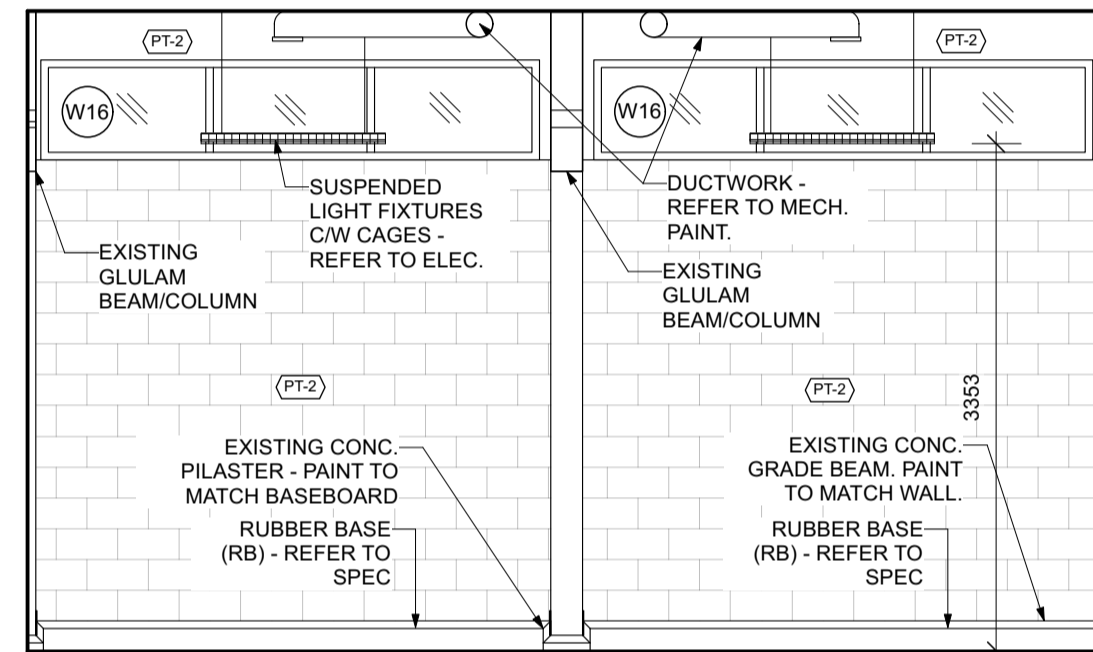
1 MULTIPURPOSE ACTIVITY SPACE 133 & 134 - S
Scale: 1:50



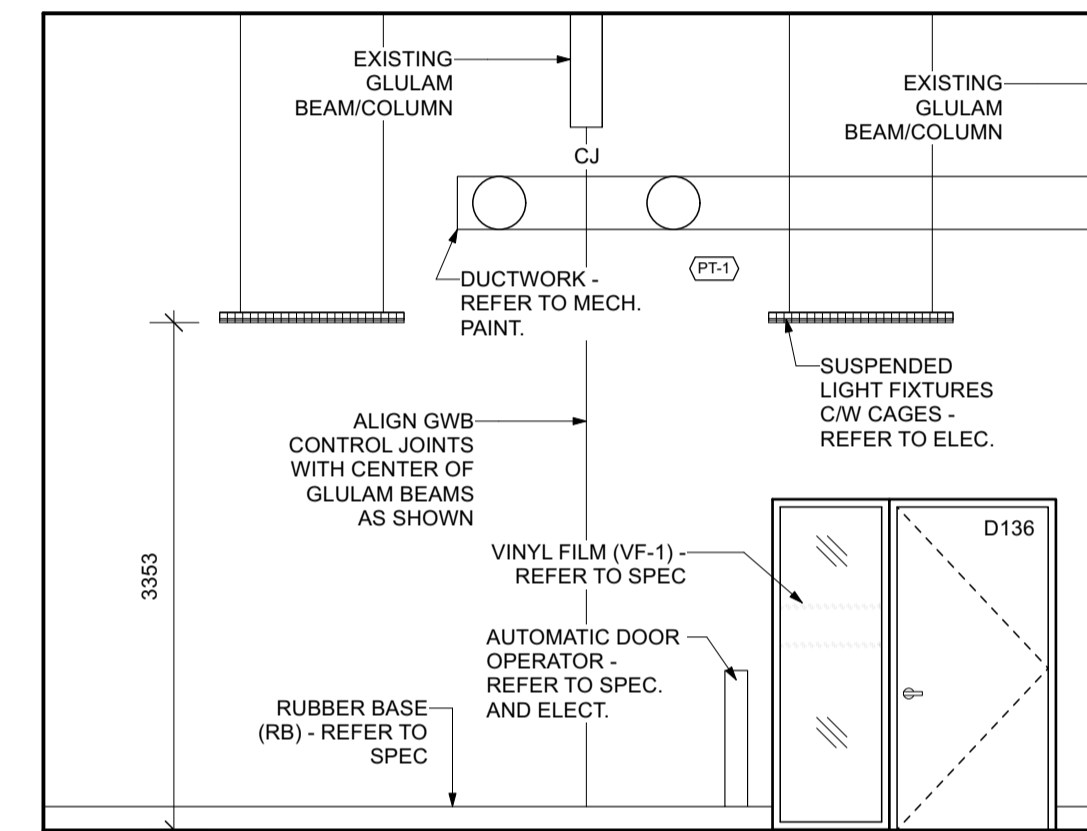
2 MPR 136 - S
Scale: 1:50



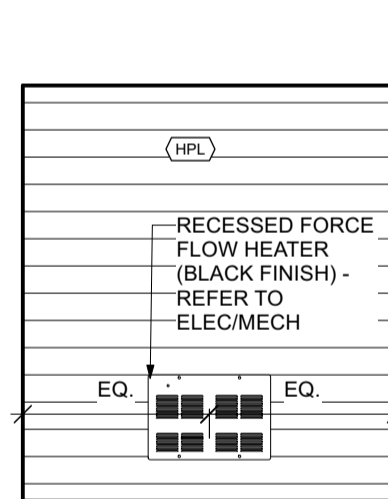
3 MPR 136 - N
Scale: 1:50



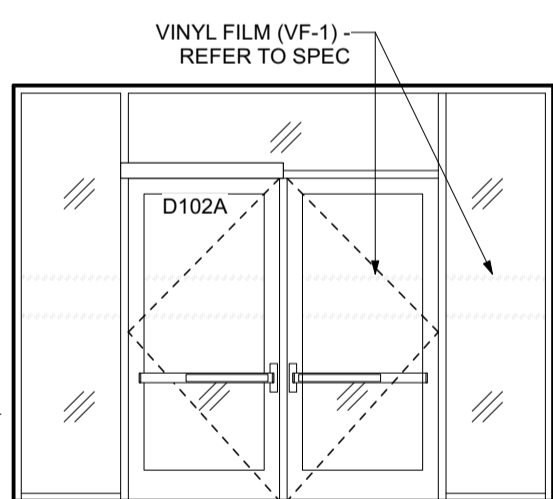
4 MPR 136 - E
Scale: 1:50



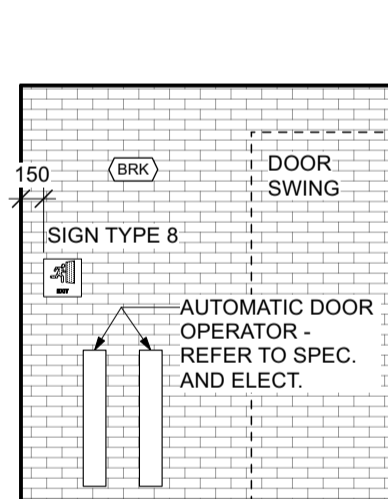
5 MPR 136 - W
Scale: 1:50



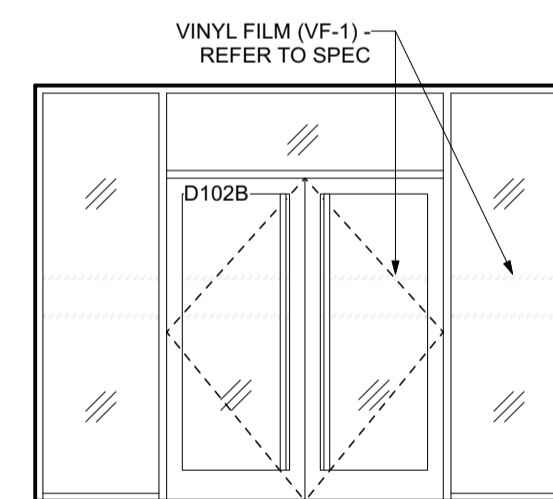
6 VEST 102 - S
Scale: 1:50



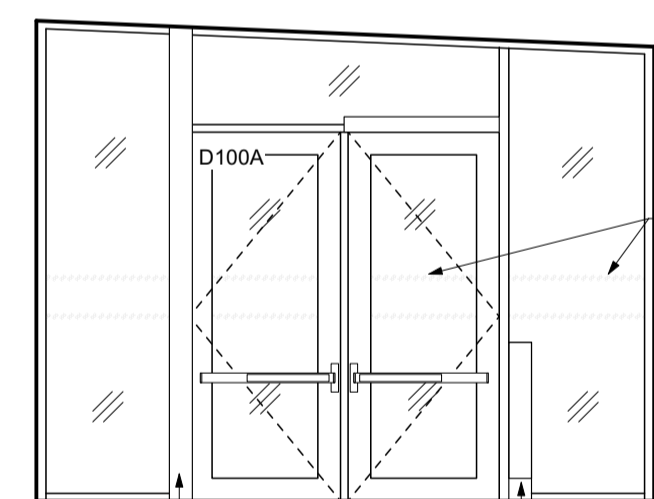
7 VEST 102 - W
Scale: 1:50



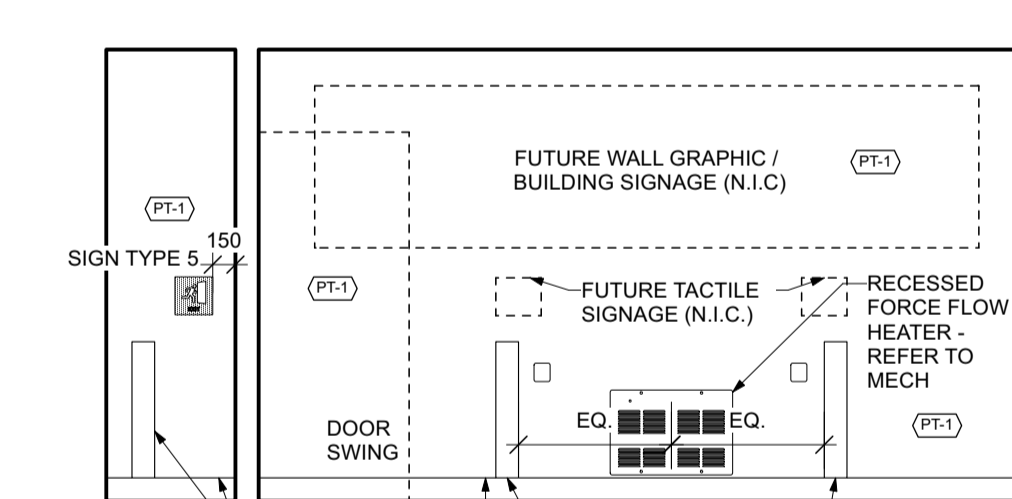
8 VEST 102 - N
Scale: 1:50



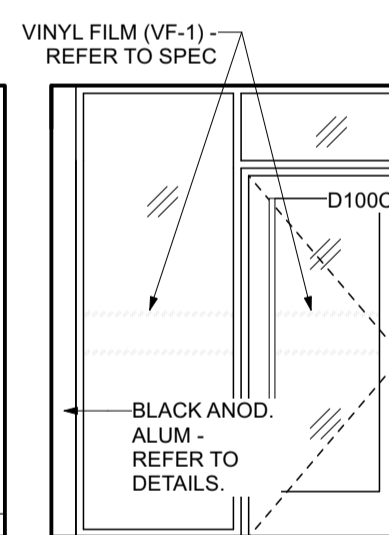
9 VEST 102 - E
Scale: 1:50



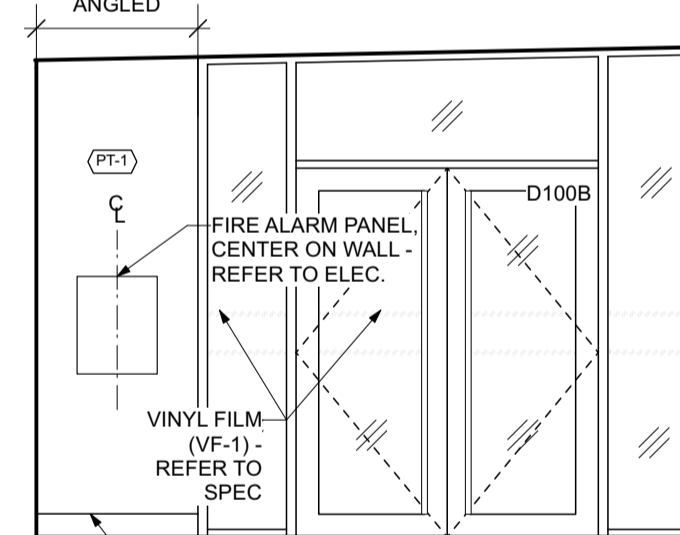
10 VESTIBULE 100 - E
Scale: 1:50



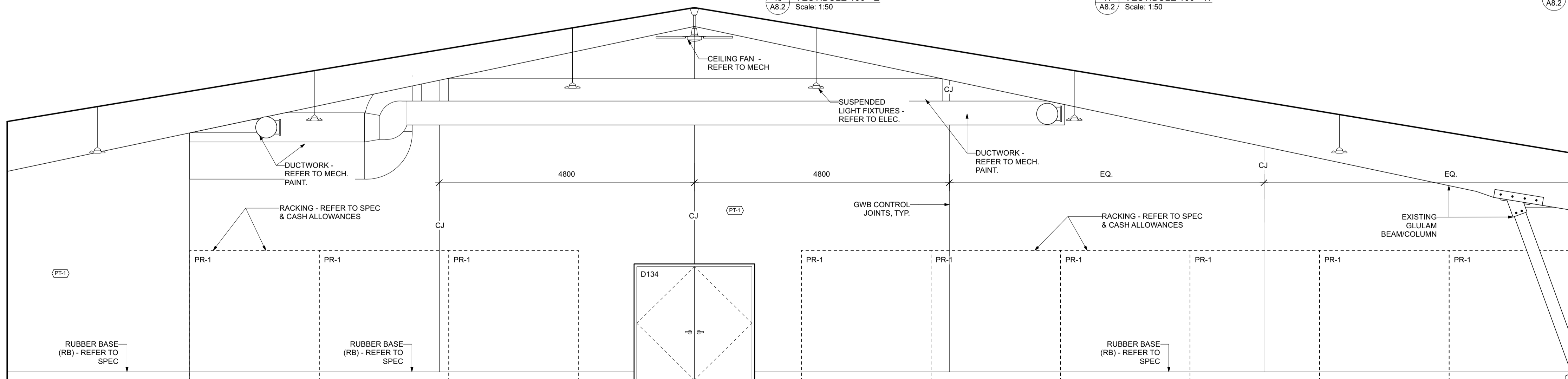
11 VESTIBULE 100 - W
Scale: 1:50



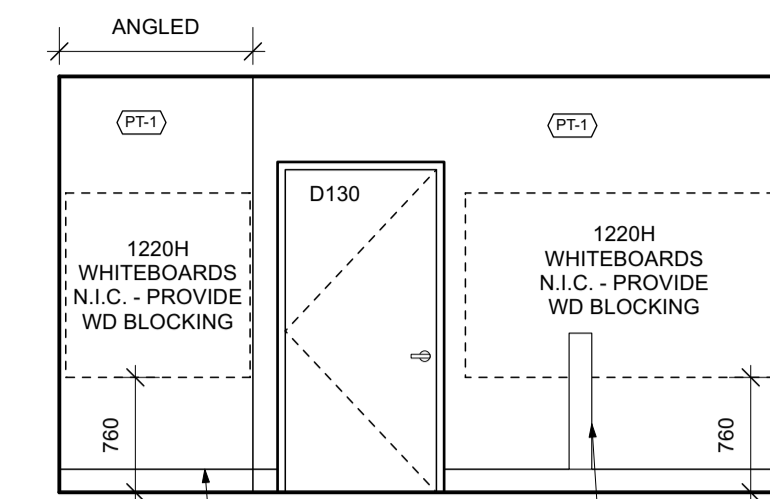
12 VESTIBULE 100 - S
Scale: 1:50



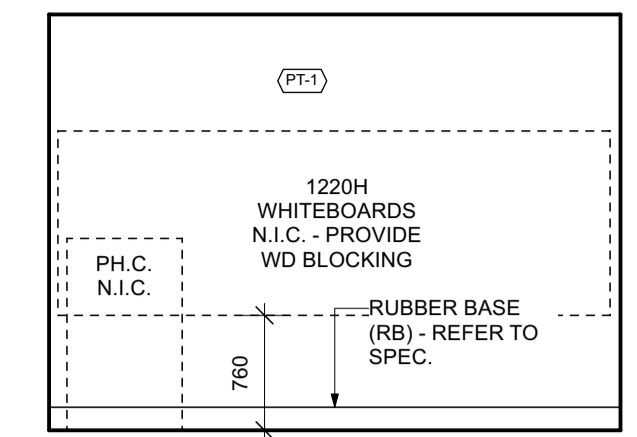
13 VESTIBULE 100 - N
Scale: 1:50



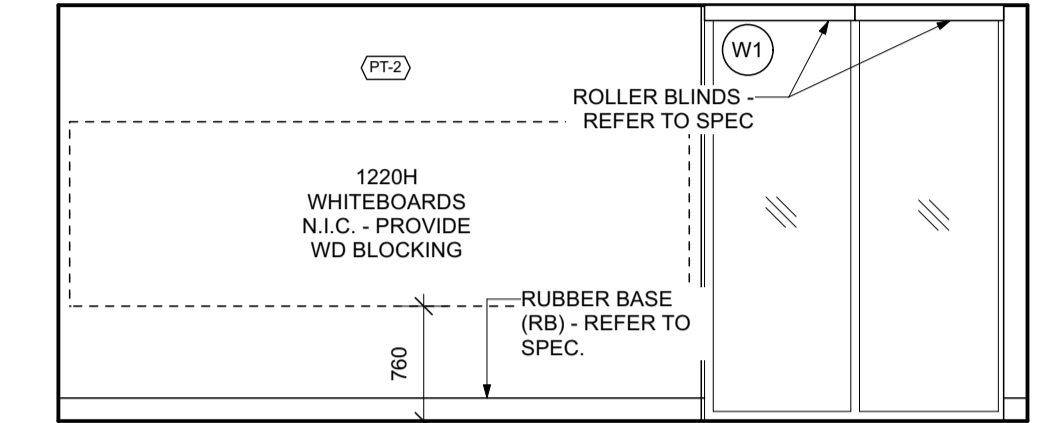
14 STORES OPEN STORAGE 140 - S
Scale: 1:50



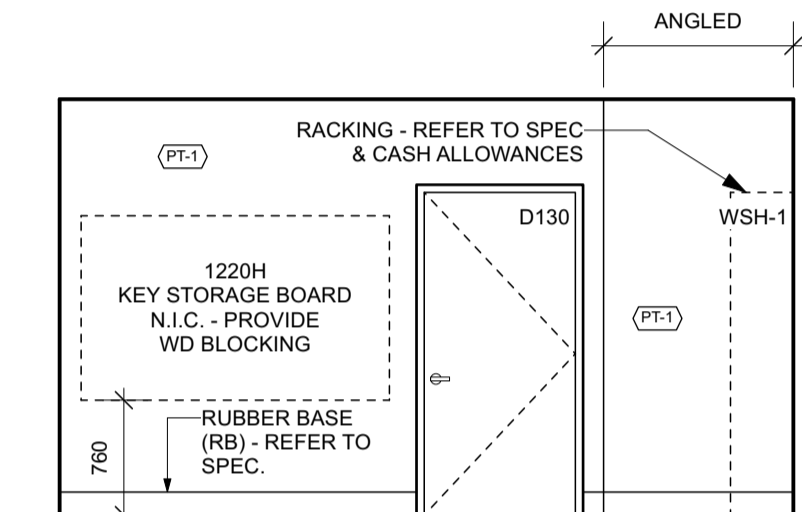
15 POOLS OPEN OFFICE 129 - N
Scale: 1:50



16 POOLS OPEN OFFICE 129 - W
Scale: 1:50



17 POOLS OPEN OFFICE 129 - E
Scale: 1:50



18 POOLS STORAGE 130 - S
Scale: 1:50

- LEGEND**
- ADD AUTOMATIC DOOR OPERATOR
 - BR BACK REST
 - CG CORNER GUARDS
 - D DRYER (N.I.C.)
 - DP D-PULL
 - FE1 SEMI-RECESSED FIRE EXTINGUISHER
 - FE2 WALL MOUNTED FIRE EXTINGUISHER
 - FE3 FIRE EXTINGUISHER W/ BRACKET
 - FD FLOOR DRAIN - REFER TO MECH
 - FR FRIDGE/FREEZER (N.I.C.)
 - FRZ CHEST FREEZER (BY WASAC, N.I.C.)
 - GB1 GRAB BAR - 600 LONG
 - GB2 GRAB BAR - 900 LONG
 - GB3 GRAB BAR - 750 LONG
 - GB4 FOLD-DOWN GRAB BAR
 - GB5 L-SHAPED GRAB BAR
 - HD HAND DRYER
 - MH MOP AND BROOM HOLDER
 - MH MIRROR
 - MW MICROWAVE (MAX. 305mm/12" HIGH, N.I.C.)
 - PH.C. PHOTOCOPIER (N.I.C.)
 - PTD PAPER TOWEL DISPENSER
 - RH ROBE HOOK
 - SD SOAP DISPENSER
 - SH SHELF
 - SND SANITARY NAPKIN DISPENSER
 - TP TOILET PAPER HOLDER
 - Washing Machine (N.I.C.)

x | architecture inc.

No.	REVISION/DESCRIPTION	BY	DATE



DATE	USER	APPROVAL	DATE	USER	APPROVAL
2024.12.18			2024.12.18		

THE CITY OF WINNIPEG
ASSETS and PROJECT MANAGEMENT
DEPARTMENT
MUNICIPAL ACCOMMODATIONS
DIVISION

PROJECT 3-65 GARRY STREET, R3C 4K4
**REDEVELOPMENT OF THE
OLD EXHIBITION ARENA
ISSUED FOR CONSTRUCTION**
80 SINCLAIR STREET

SHEET TITLE
INTERIOR ELEVATIONS

SCALE AS SHOWN PROJECT No: 2020-136 SHEET No: **A8.2**

DRAWING SHEET SIZE: A1 (841mm x 594mm) PLOT 1:1