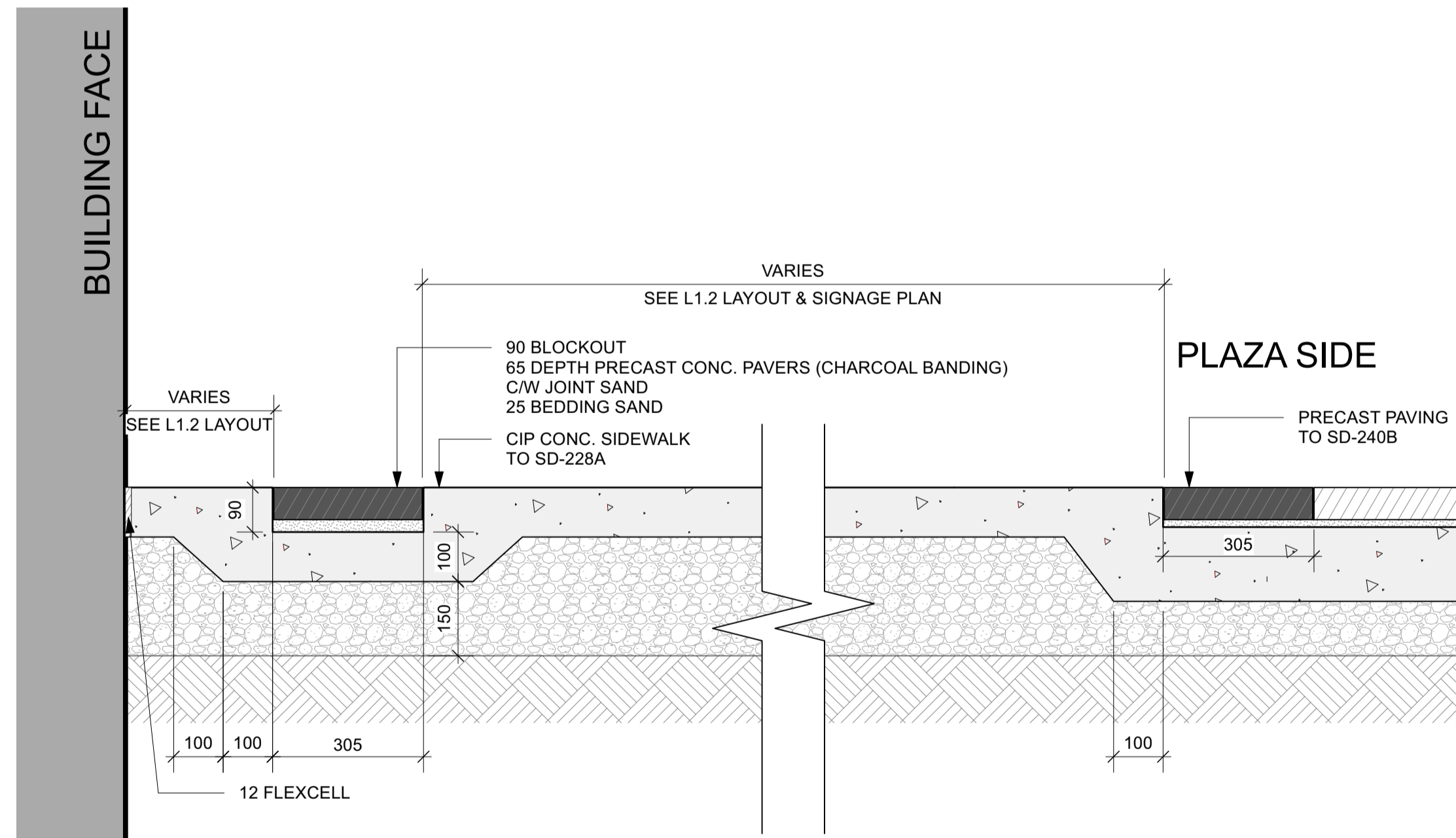
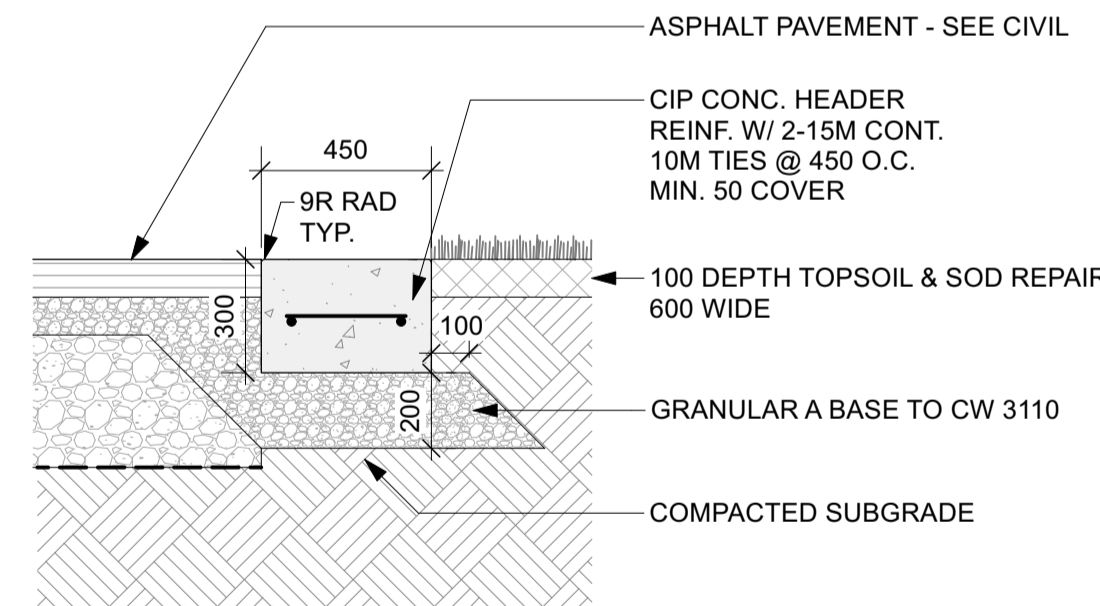


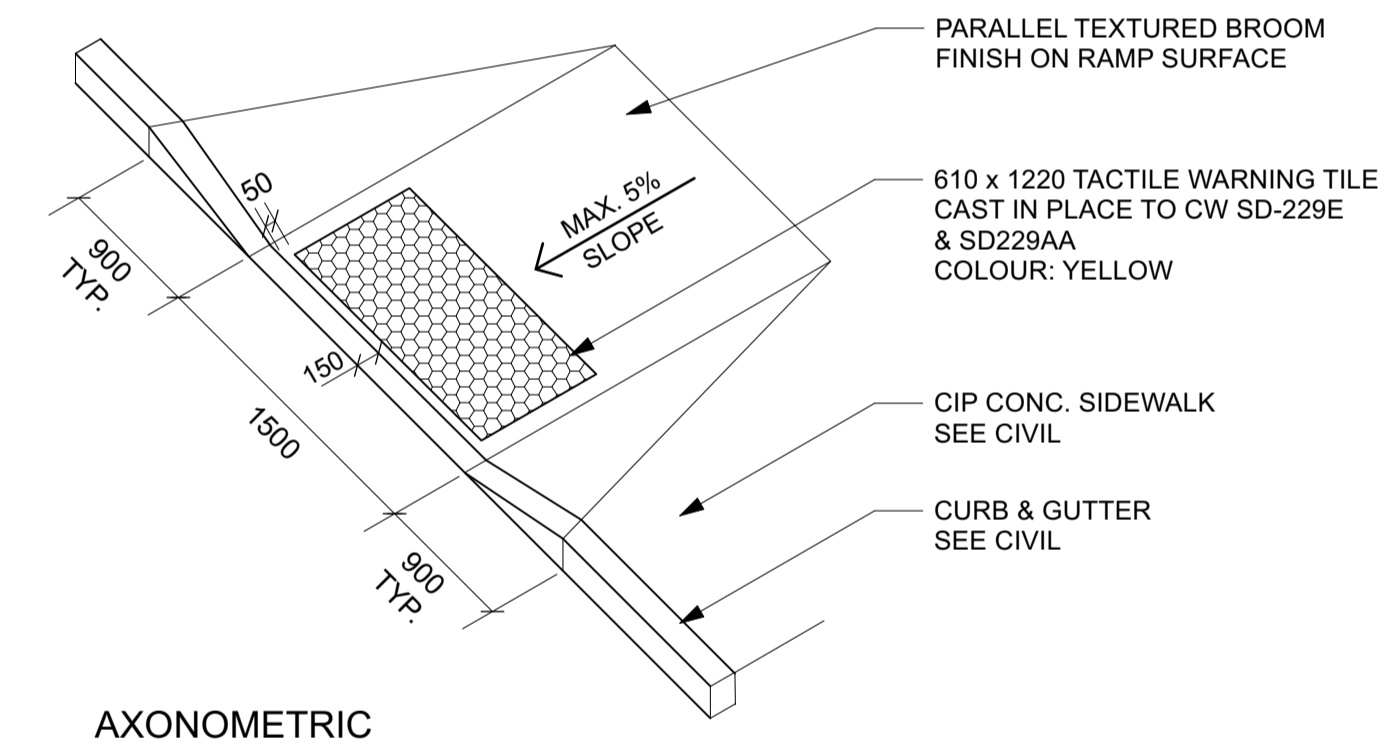
1
L2.2 PRECAST PAVER INDICATOR STRIP IN TABLETOP CROSSING
Scale: 1:20



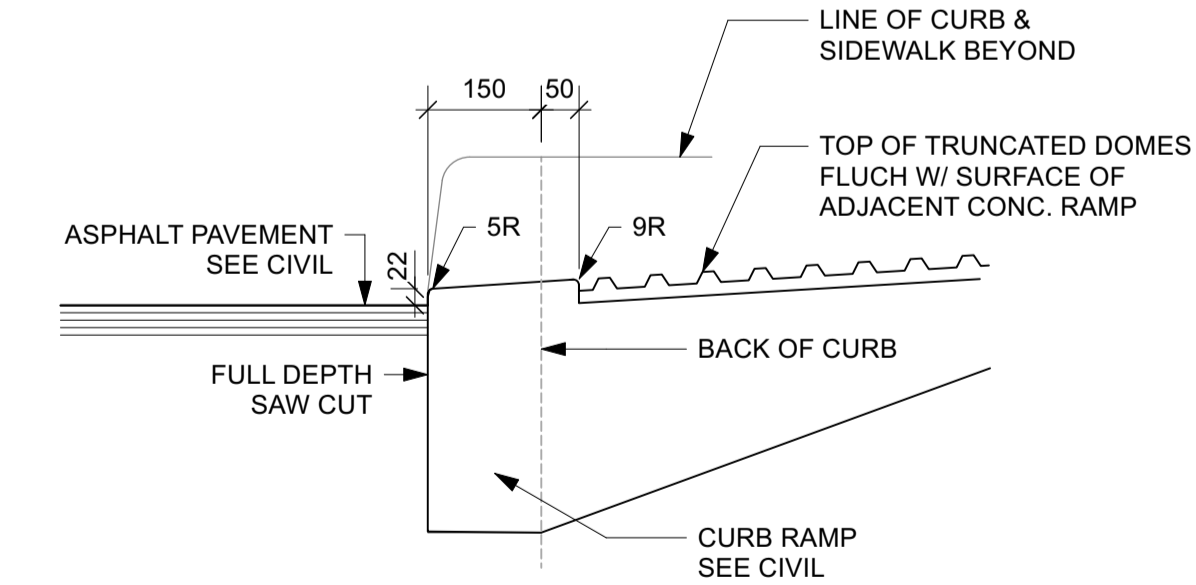
2
L2.2 INDICATOR STRIP
Scale: 1:10



3
L2.2 CIP CONCRETE HEADER
Scale: 1:20



AXONOMETRIC



DETAIL

4
L2.2 CURB RAMP W/ DETECTABLE WARNING TILE
Scale: NTS



No.	REVISION/DESCRIPTION	BY	DATE
1	ISSUED FOR CONSTRUCTION	OD	2024.12.13



DRAWN	CHECKED	DESIGNED	APPROVED
OD	JH	OD	JH
DATE	USER	DATE	DATE
2024.12.13	APPROVAL	JH	

THE CITY OF WINNIPEG
ASSETS and PROJECT MANAGEMENT
DEPARTMENT
MUNICIPAL ACCOMMODATIONS
DIVISION

PROJECT 3-65 GARRY STREET, R3C 4K4
REDEVELOPMENT OF THE
OLD EXHIBITION ARENA
ISSUED FOR CONSTRUCTION
80 SINCLAIR STREET

SHEET TITLE
HARDSCAPE DETAILS

SCALE	PROJECT No:	SHEET No:
AS NOTED	2020-136 HTFC 23-066	L2.2

PRELIMINARY - NOT FOR CONSTRUCTION