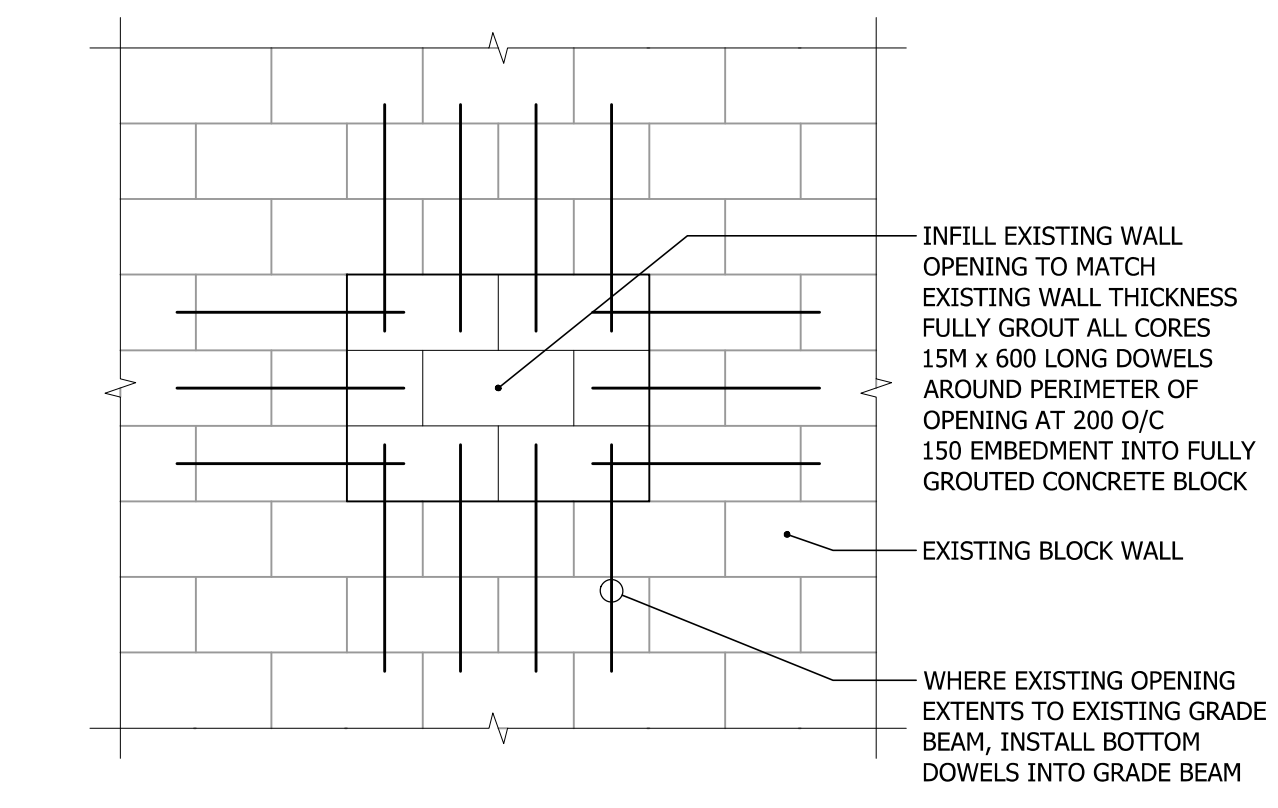
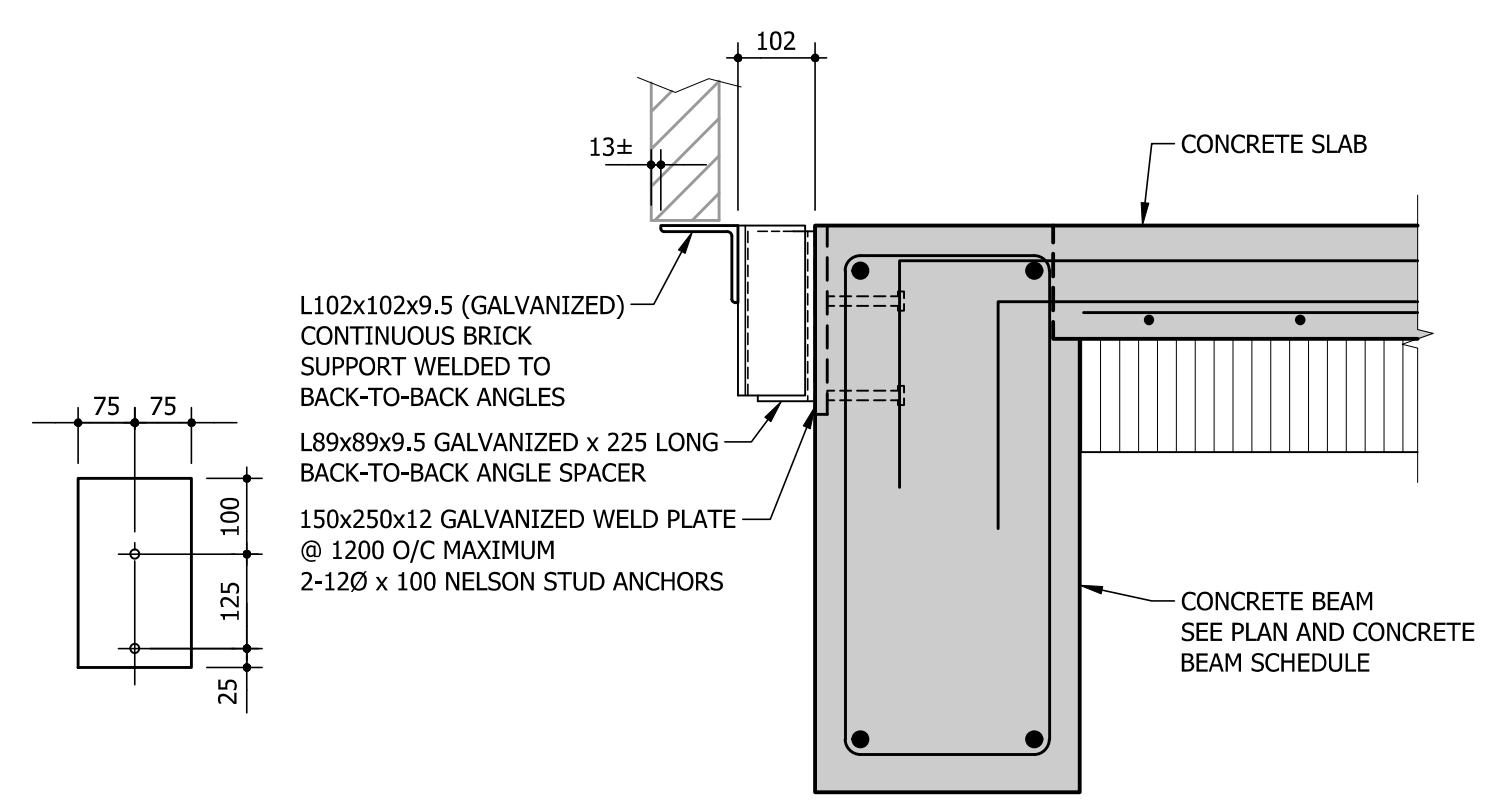
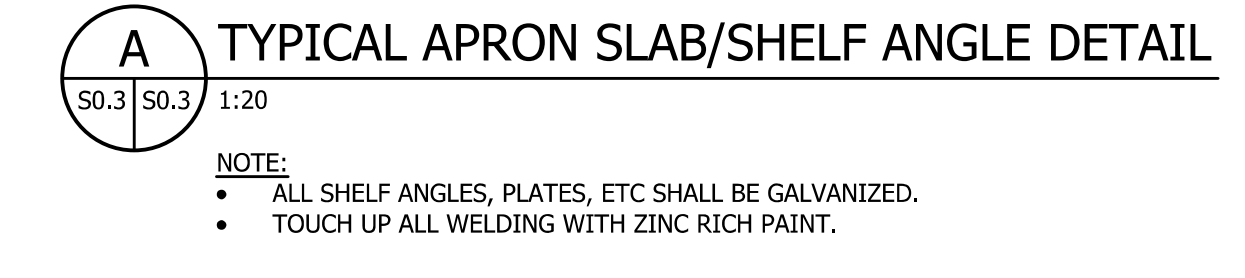
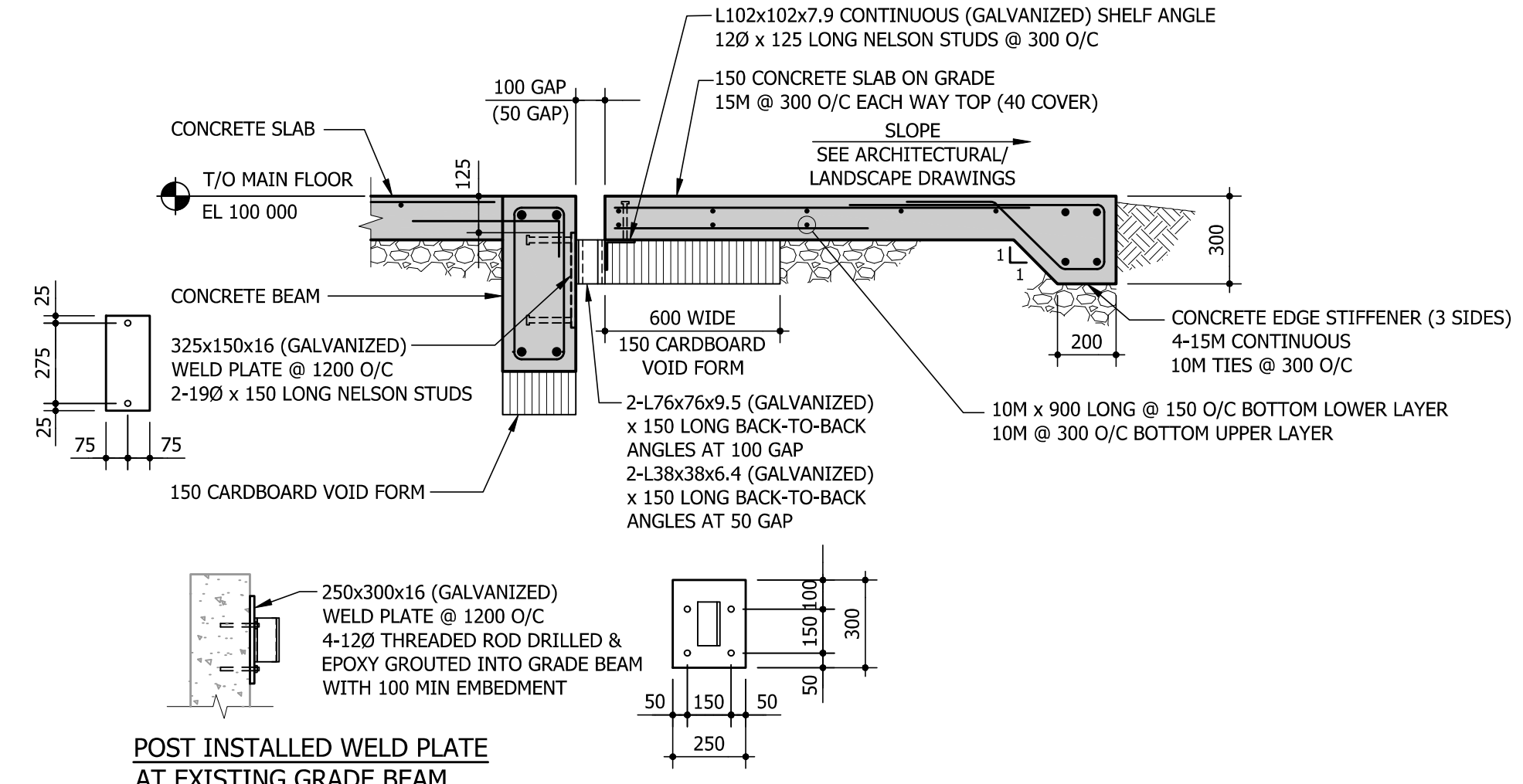


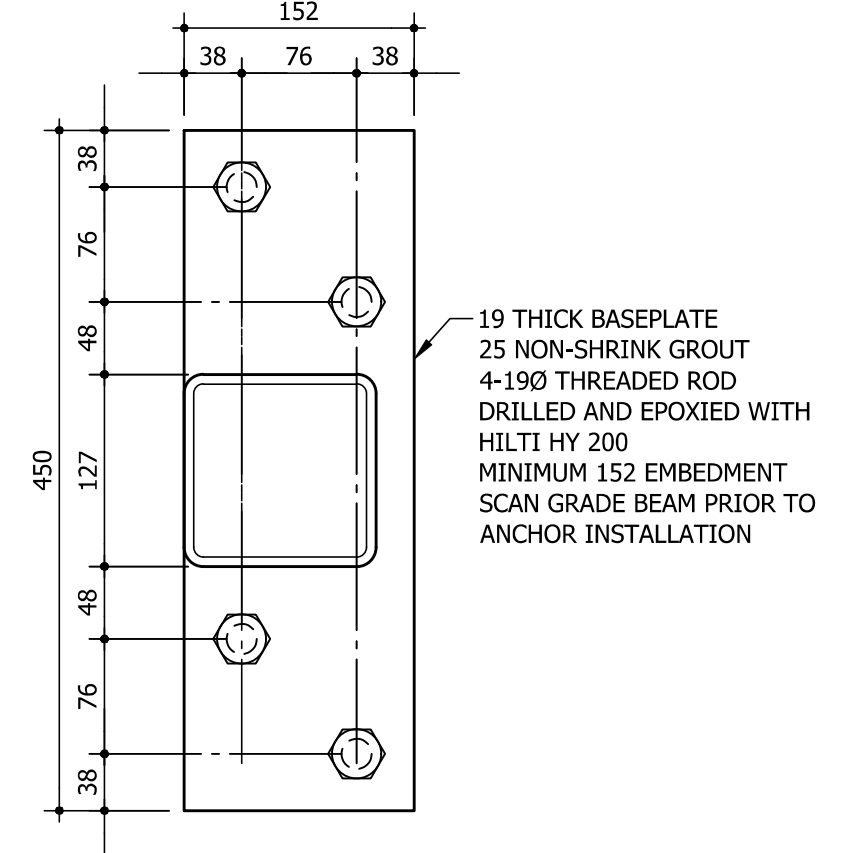
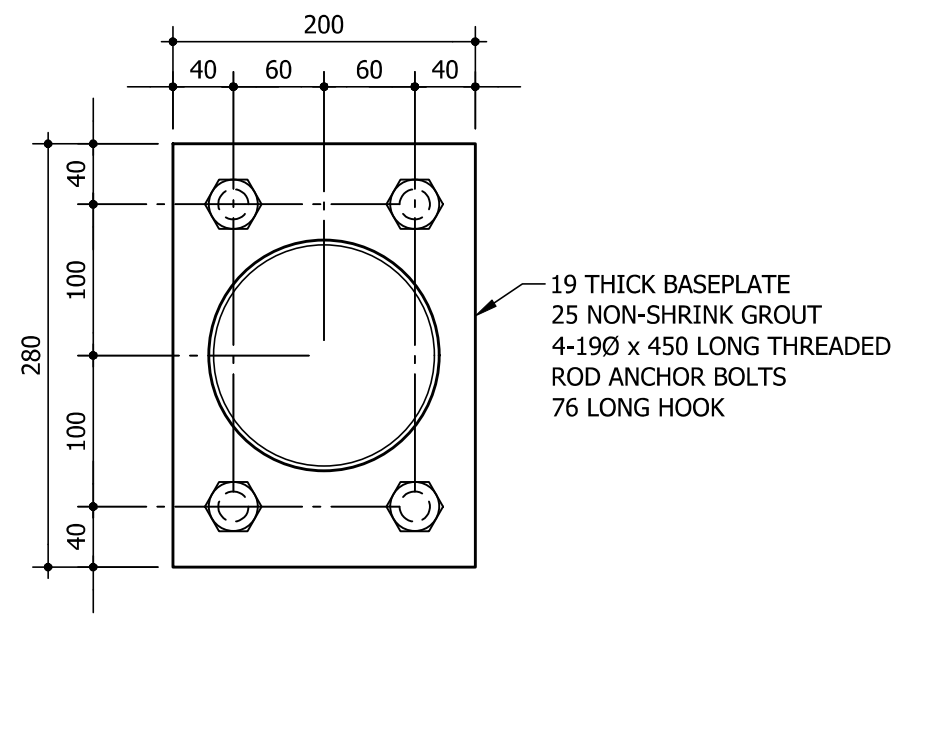
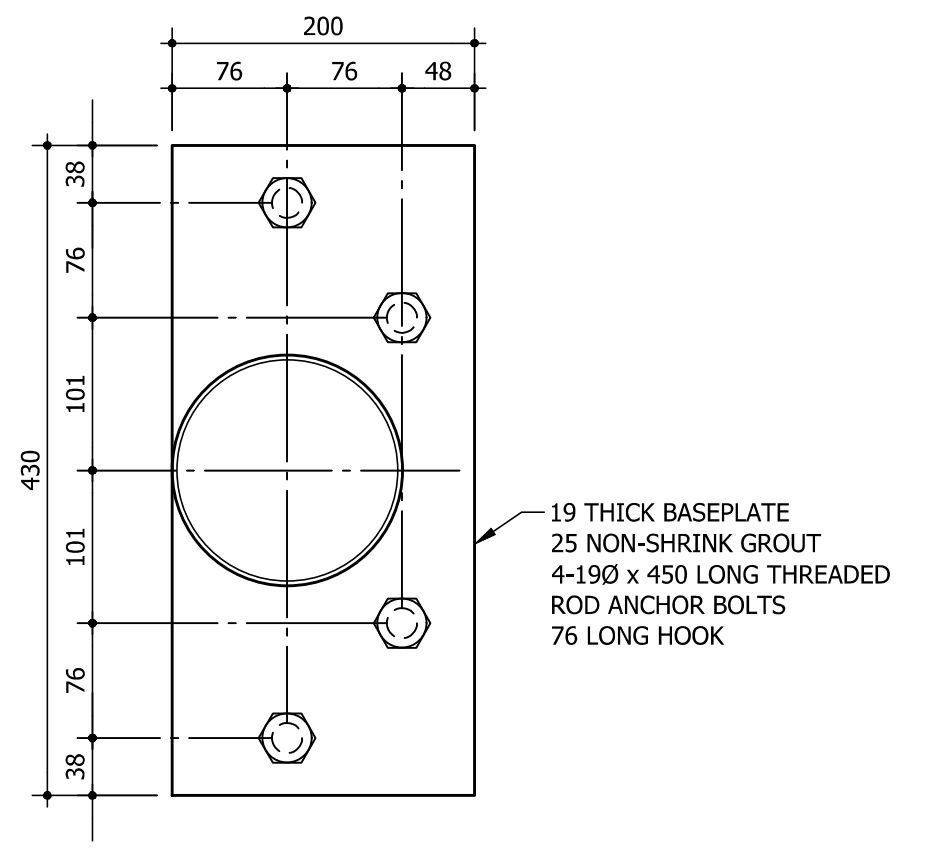
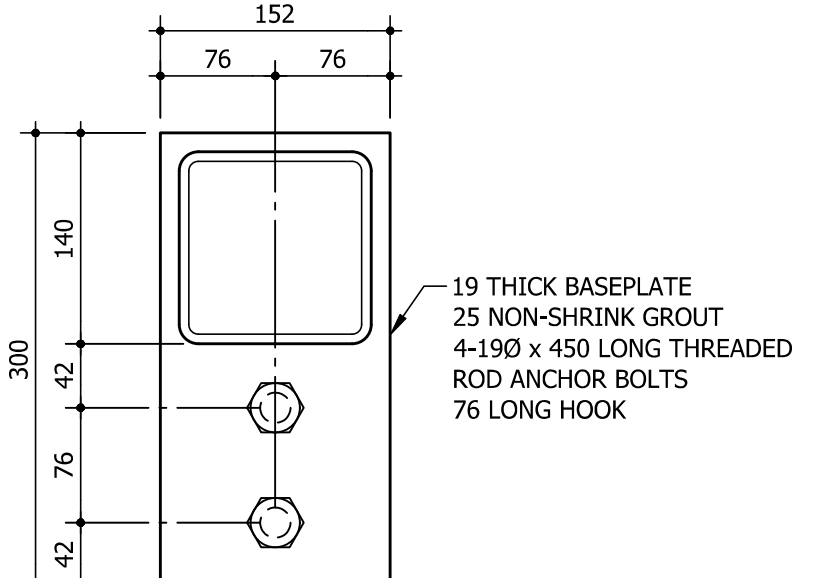
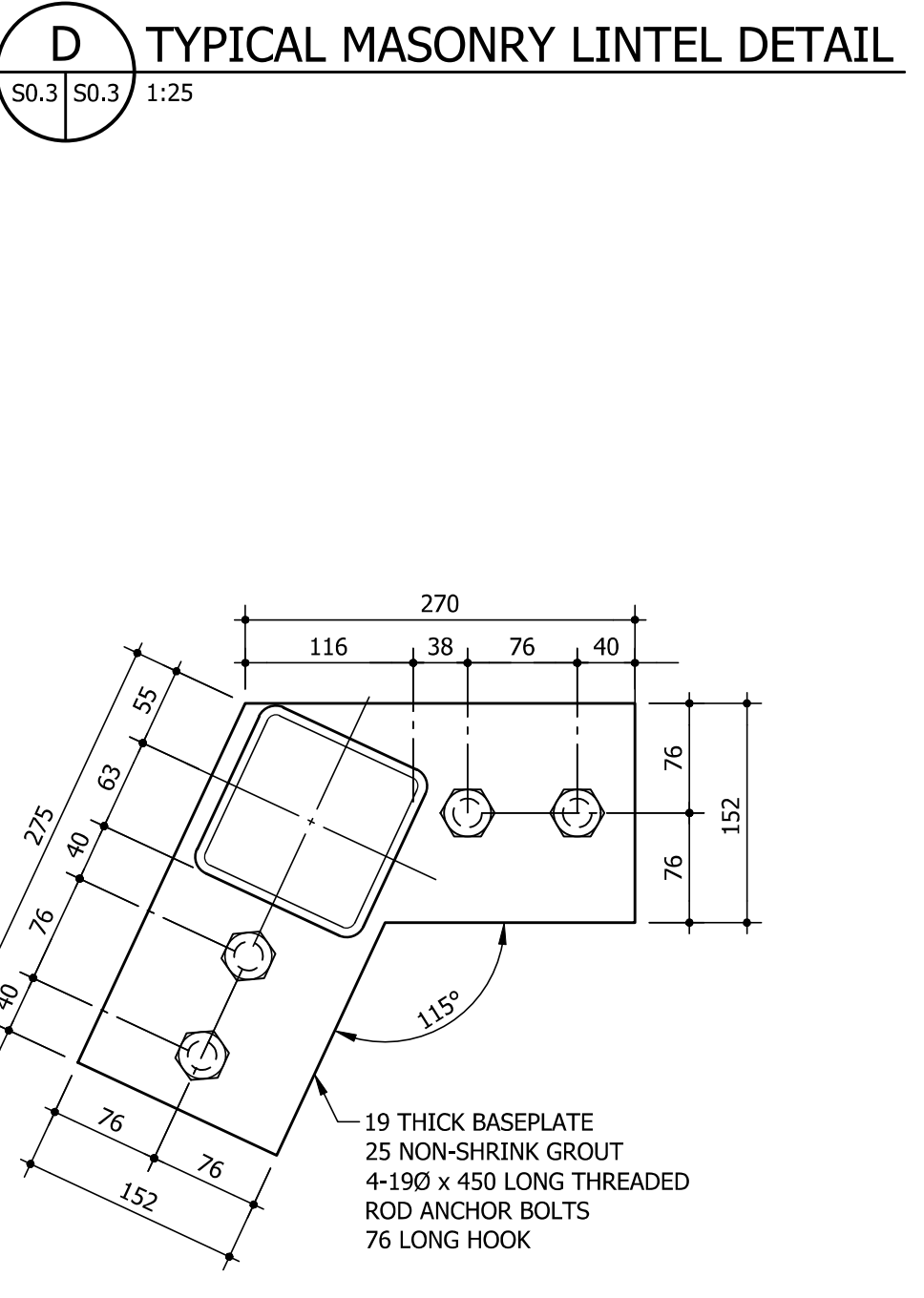
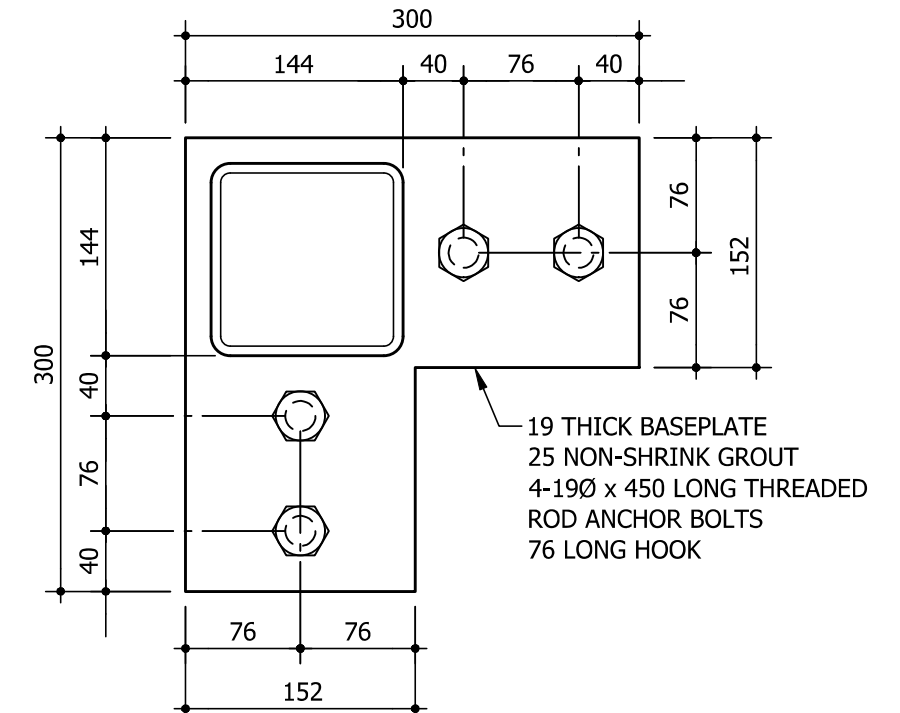
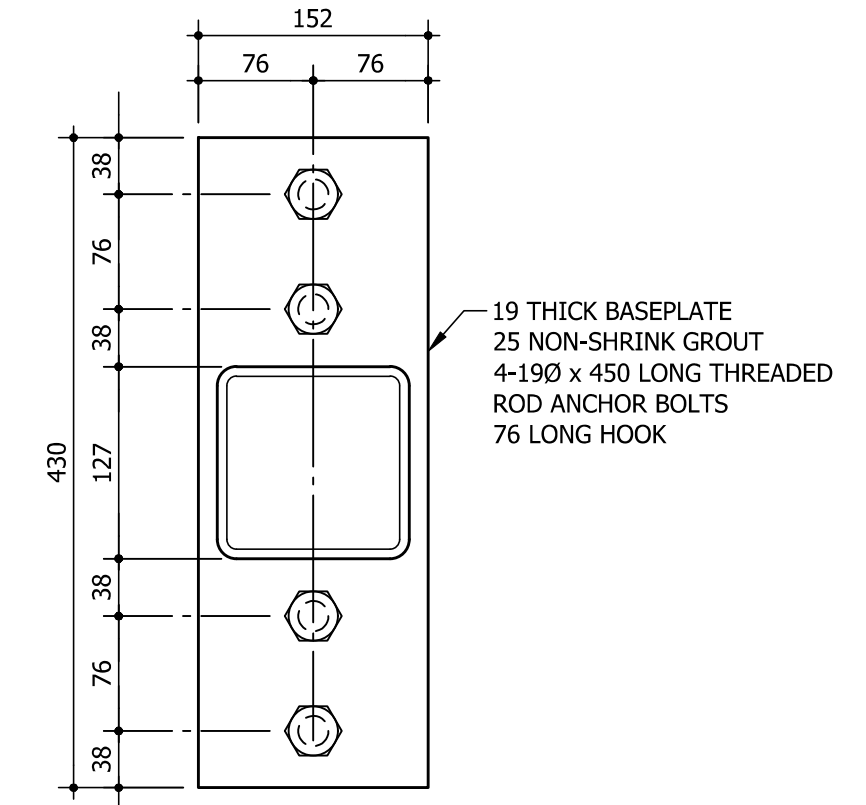
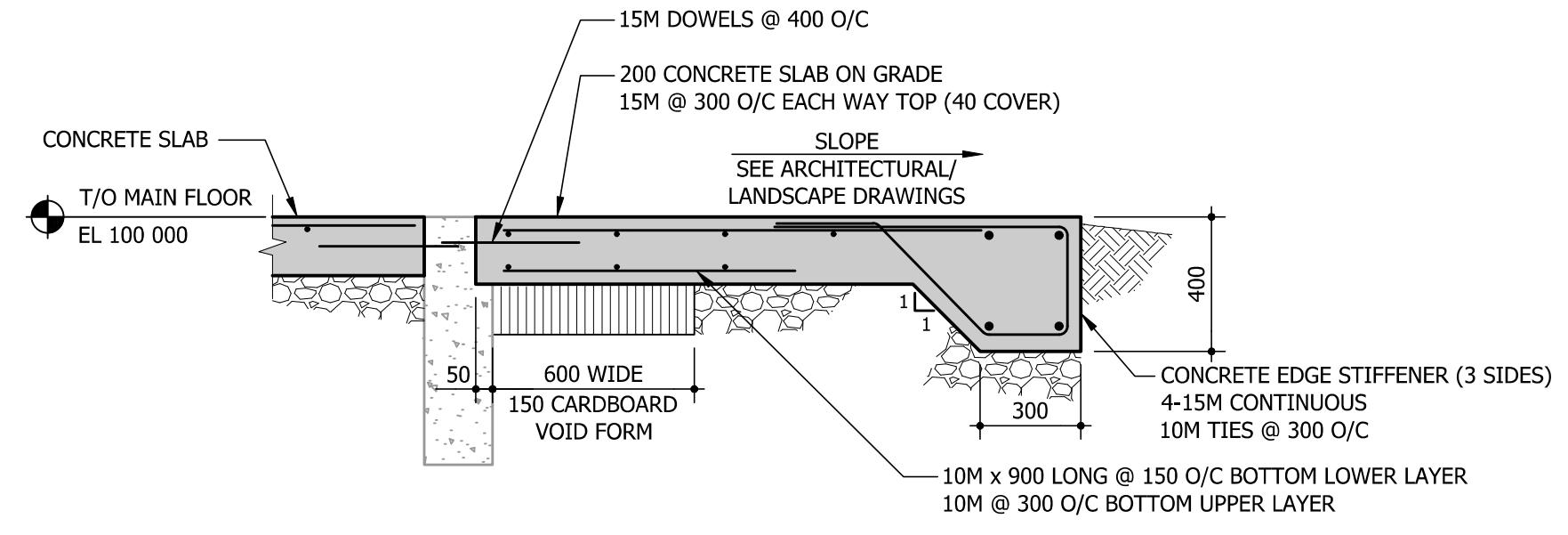
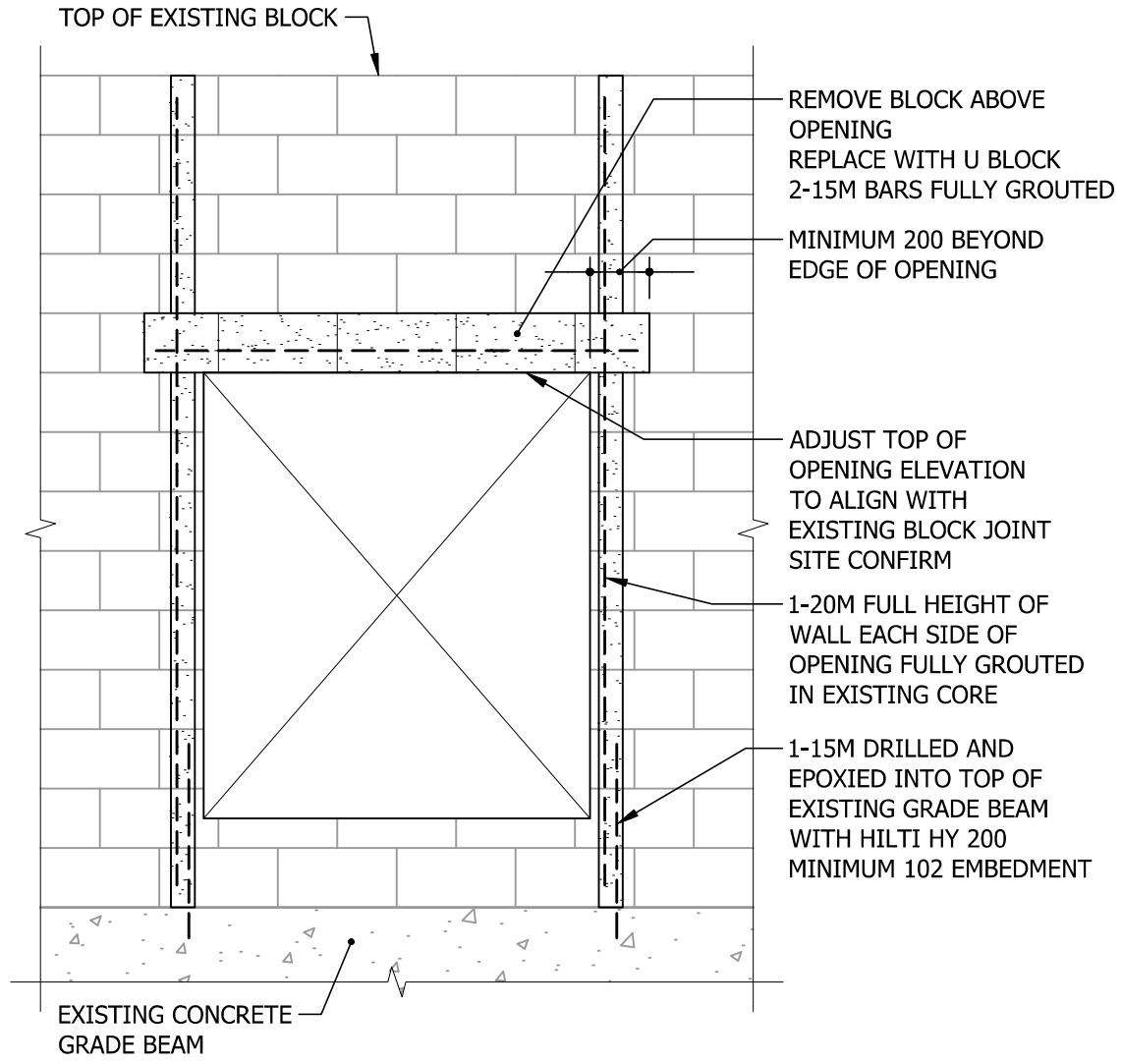
DATE: 2024.02.07 FILE NAME: 2020-136\0.dwg\A2.1
 PROJECT NO: 2020-136 SHEET TITLE: RENOVATION PLAN - S. ARENA
 ADDRESS: 80 SINCLAIR STREET

NOTES:



NOTES:

- REFER TO ARCHITECTURAL DRAWINGS FOR EXTENTS AND REQUIRED LOCATIONS.
- PROVIDE EXTRA WELD PLATE @ 300 O/C FROM ALL CORNERS AND 300 O/C AT EACH SIDE OF JOINTS IN STEEL ANGLE. REFER TO ARCHITECTURAL DRAWINGS FOR CONTROL JOINTS IN VENEER LOCATIONS.
- ALL ANGLES, PLATES & NELSON STUD ANCHORS ARE TO BE GALVANIZED.
- TOUCH UP ALL FIELD WELDING WITH ZINC-RICH PAINT.



0	ISSUED FOR CONSTRUCTION	12/09
No.	REVISION/DESCRIPTION	BY DATE



ENGINEERS GEOSCIENTISTS MANITOBA
 Certificate of Authorization
 Crosier Kilgour & Partners Ltd.
 No. 235

KGT/ERB	BF	BCC	BF
DRAWN	CHECKED	DESIGNED	APPROVED
DATE	USER	CAD	APPROVAL
2024.12.16			

THE CITY OF WINNIPEG
 ASSETS and PROJECT MANAGEMENT
 DEPARTMENT
 MUNICIPAL ACCOMMODATIONS
 DIVISION
 PROJECT 3-65 GARRY STREET, R3C 4K4
OLD EXHIBITION ARENA
 REDEVELOPMENT
 ISSUED FOR CONSTRUCTION
 80 SINCLAIR STREET

SHEET TITLE
TYPICAL DETAILS

SCALE	PROJECT No:	SHEET No:
AS SHOWN	2020-136	S0.3

DRAWING SHEET SIZE: A1 (841mm x 594mm) PLOT 1:1