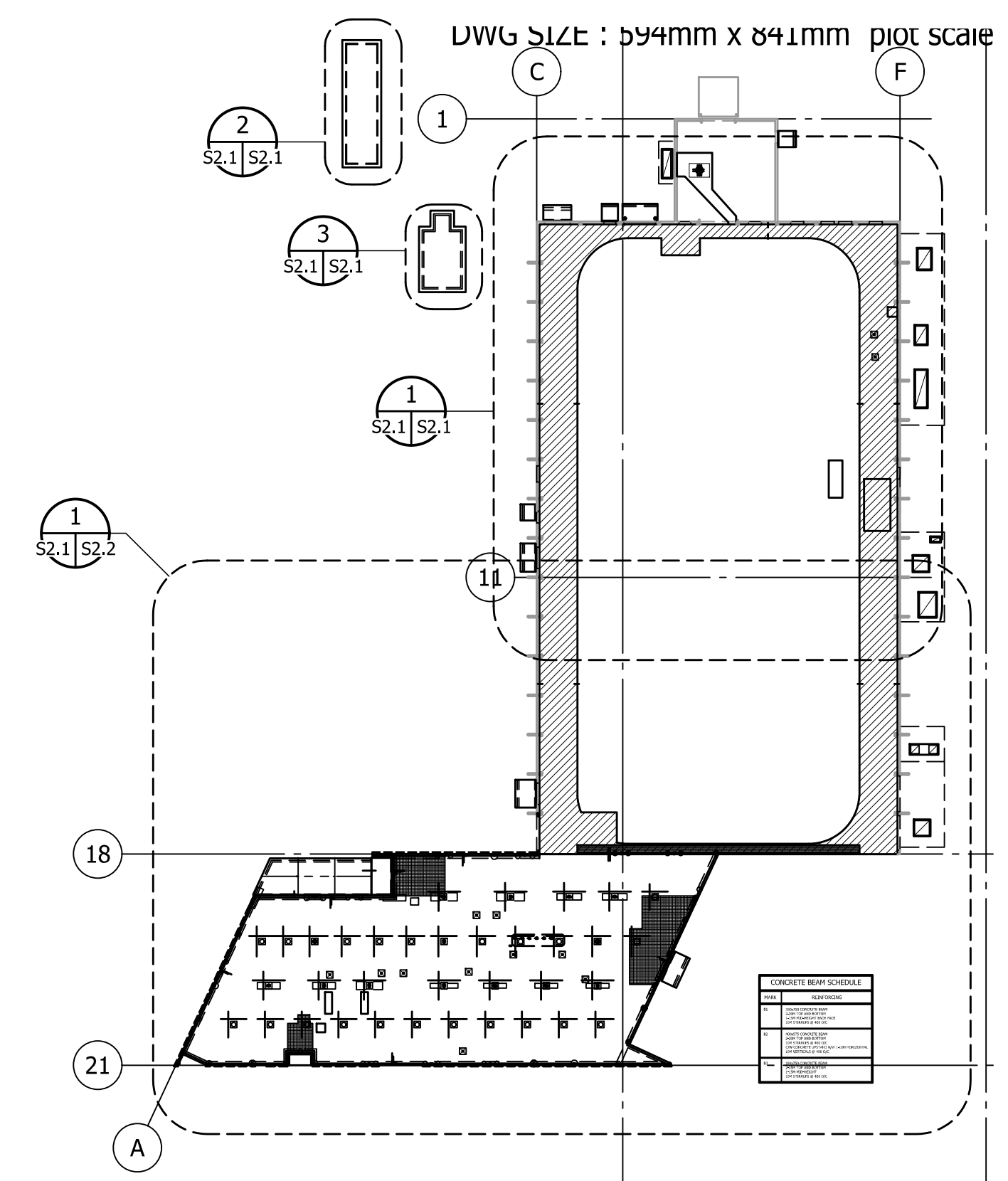
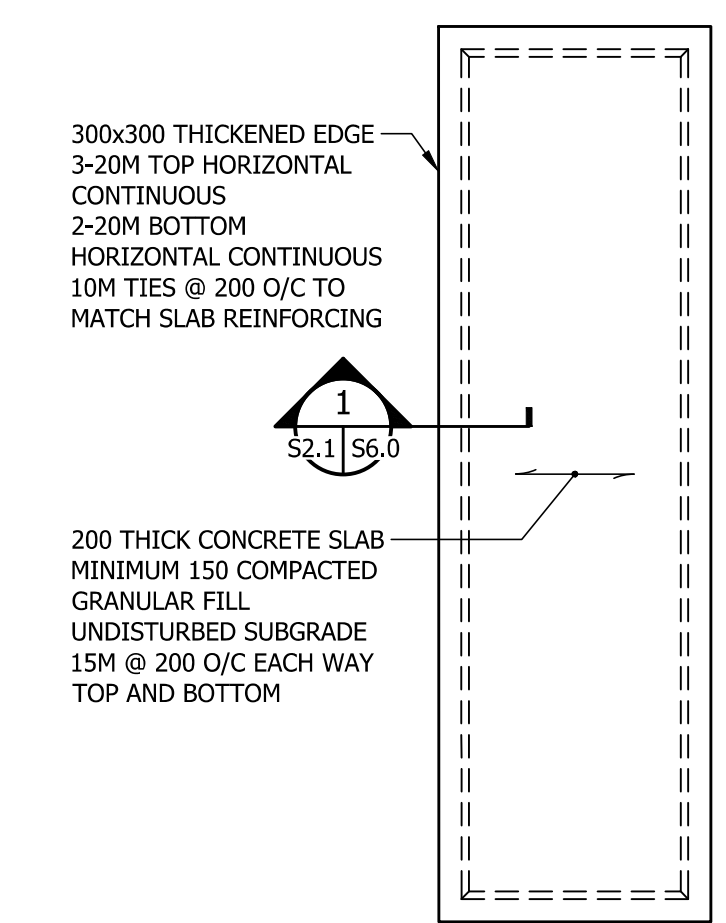


1 RENOVATION MAIN FLOOR FRAMING PLAN - NORTH ARENA
S2.1 | S2.1 1:100

DESIGN LOADS:
 • DEAD LOAD = 3.53 kPa
 • LIVE LOAD = 4.80 kPa

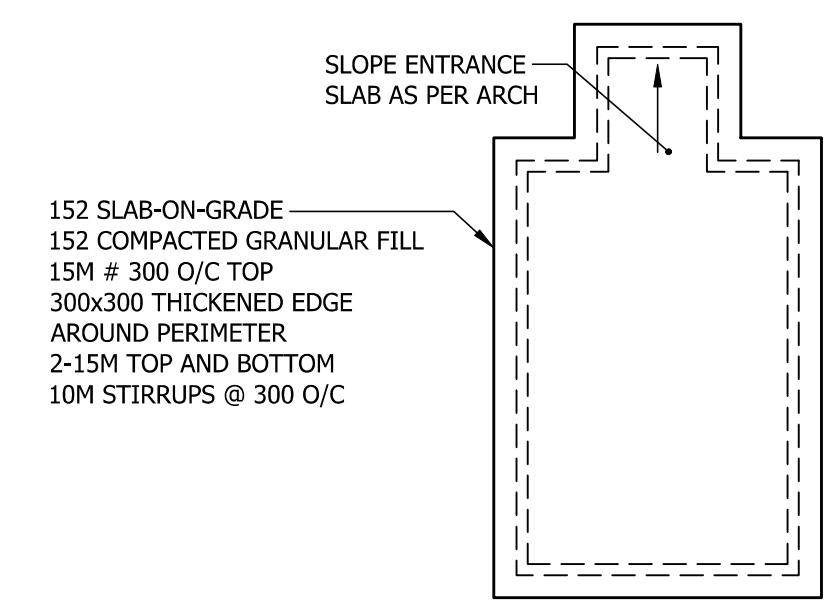


RENOVATION KEY PLAN
1:500



2 GARBAGE PAD PLAN
S2.1 | S2.2 1:100

NOTE: COORDINATE EXACT LOCATION ON-SITE WITH ARCHITECTURAL



3 RELOCATED SHED PAD PLAN
S2.1 | S2.2 1:100

NOTE: PAD DIMENSIONS TO MATCH OUTSIDE FACES OF EXISTING SHED. SITE CONFIRM EXISTING SHED DIMENSIONS.

NOTES:

0	ISSUED FOR CONSTRUCTION	BCC	12/17
No.	REVISION/DESCRIPTION	BY	DATE



ENGINEERS GEOSCIENTISTS MANITOBA
 Certificate of Authorization
 Crosier Kilgour & Partners Ltd.
 No. 235

KGT/ERB	CHECKED	BF	DESIGNED	BCC	APPROVED	BF
DRAWN	USER	APPROVAL	CAD			
DATE	2024.12.16					

THE CITY OF WINNIPEG
 ASSETS and PROJECT MANAGEMENT
 DEPARTMENT
 MUNICIPAL ACCOMMODATIONS
 DIVISION
 PROJECT 3-65 GARRY STREET, R3C 4K4
OLD EXHIBITION ARENA
 REDEVELOPMENT
 ISSUED FOR CONSTRUCTION
 80 SINCLAIR STREET

SHEET TITLE
RENOVATION MAIN FLOOR FRAMING PLAN NORTH ARENA

SCALE	PROJECT No:	SHEET No:
AS SHOWN	2020-136	S2.1