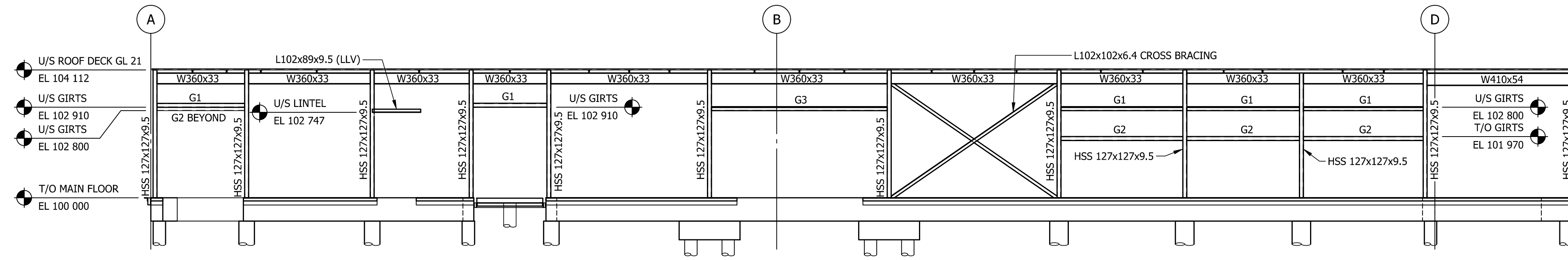
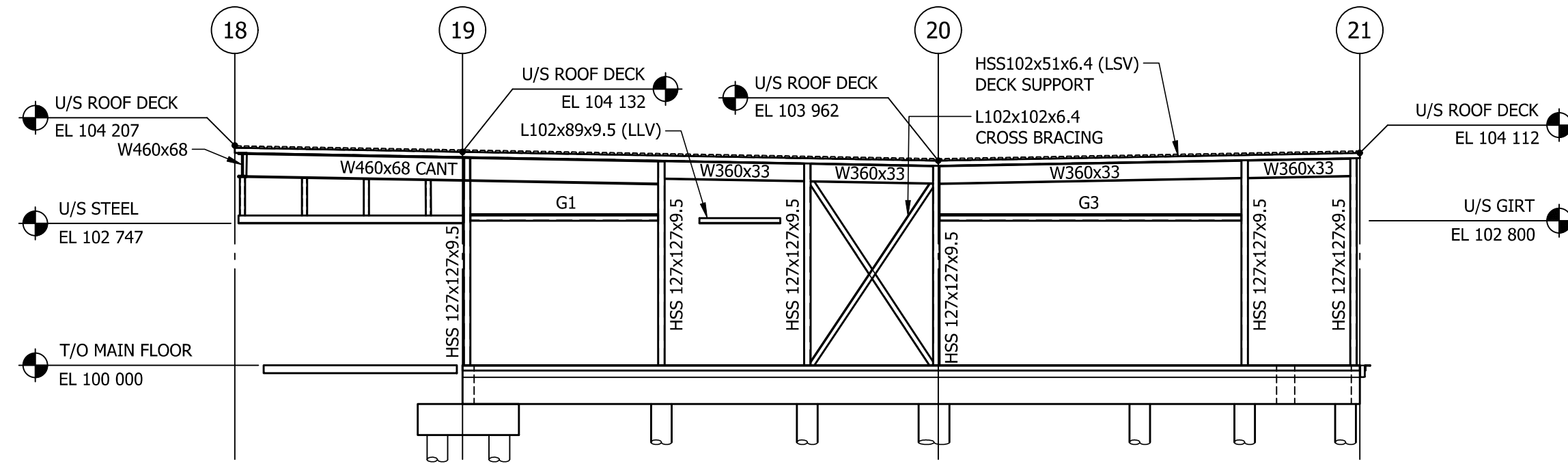


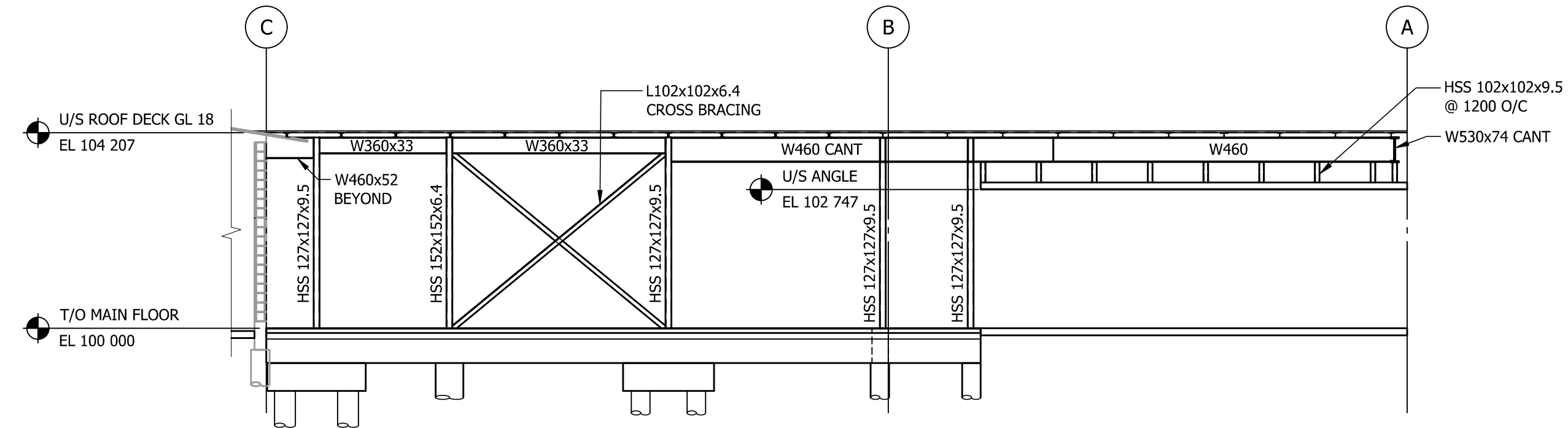
NOTES:



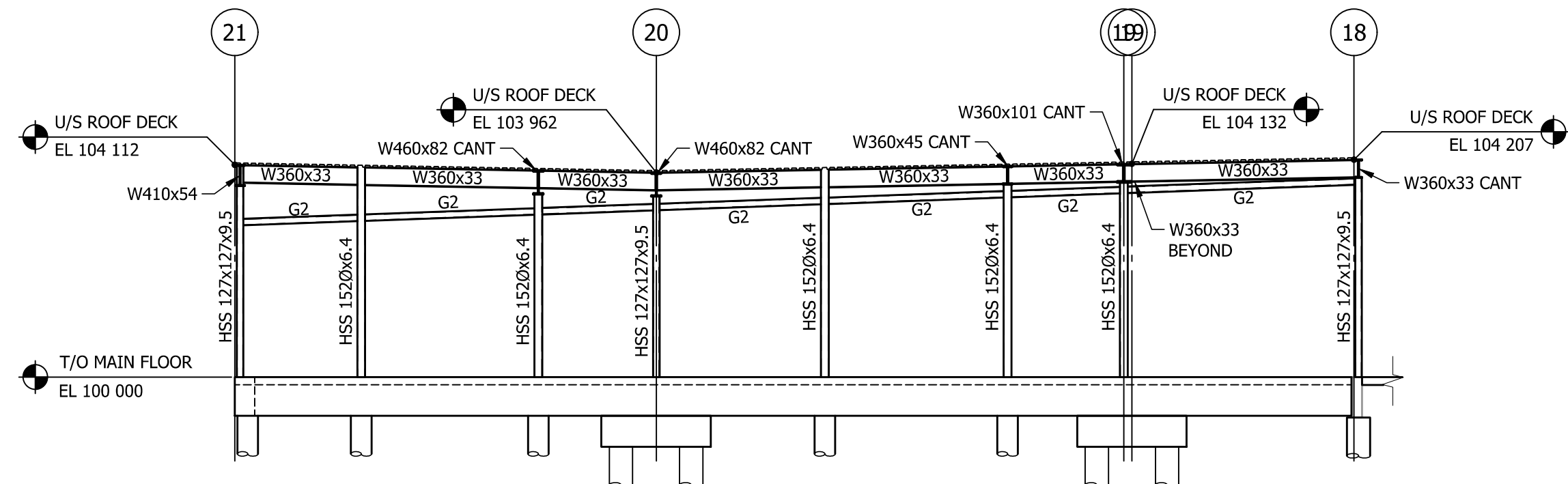
A ELEVATION
S2.2 | S5.0 | 1:100



B ELEVATION
S2.2 | S5.0 | 1:100



C ELEVATION
S2.2 | S5.0 | 1:100



D ELEVATION
S2.2 | S5.0 | 1:100

NOTE: CANOPY FRAMING NOT SHOWN FOR CLARITY



0	ISSUED FOR CONSTRUCTION	BCC	12/17
No.	REVISION/DESCRIPTION	BY	DATE



**ENGINEERS
GEOSCIENTISTS
MANITOBA**
Certificate of Authorization
Crosier Kilgour & Partners Ltd.
No. 235

KG/IRB	CHECKED	BF	DESIGNED	BCC	APPROVED	BF
DRAWN	USER	CAD	APPROVAL			
DATE	2024.12.16					

THE CITY OF WINNIPEG
ASSETS and PROJECT MANAGEMENT
DEPARTMENT
MUNICIPAL ACCOMMODATIONS
DIVISION
PROJECT 3-65 GARRY STREET, R3C 4K4
OLD EXHIBITION ARENA
REDEVELOPMENT
ISSUED FOR CONSTRUCTION
80 SINCLAIR STREET

SHEET TITLE
ELEVATIONS

SCALE	PROJECT No:	SHEET No:
AS SHOWN	2020-136	S5.0