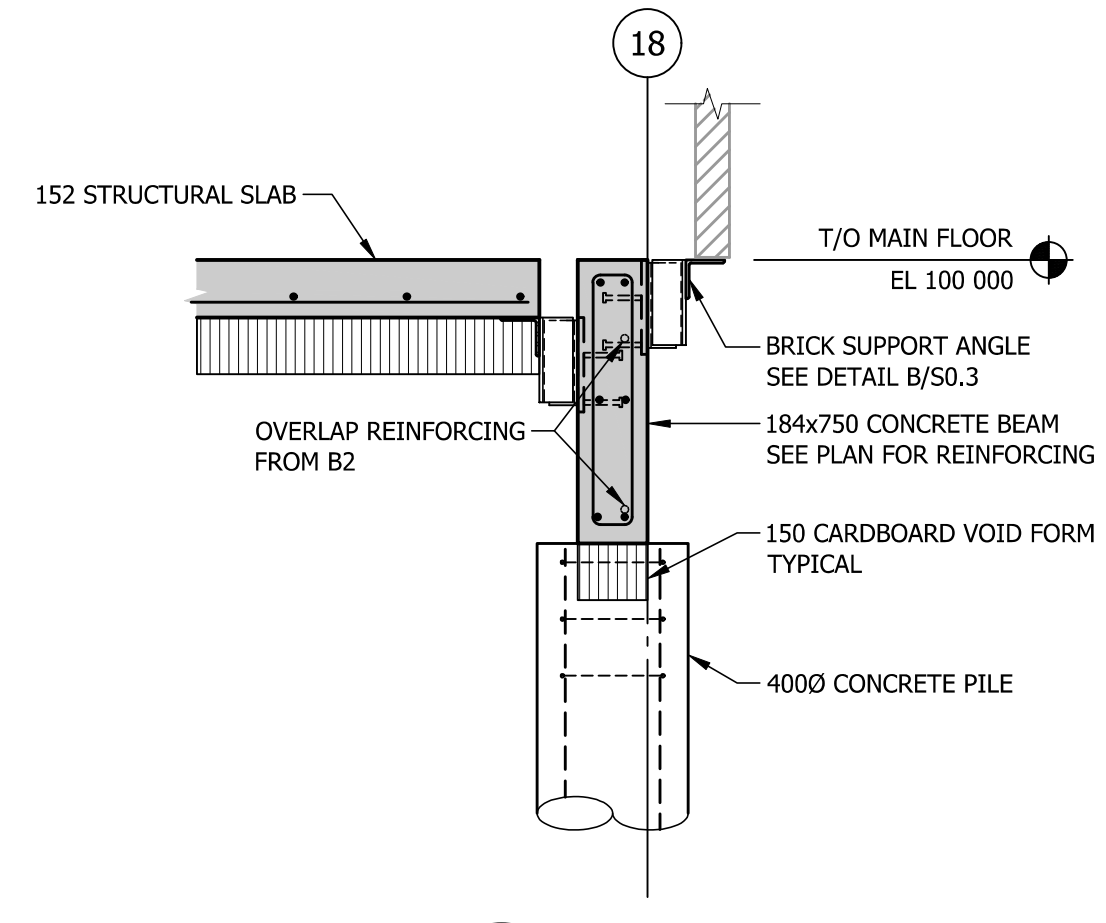
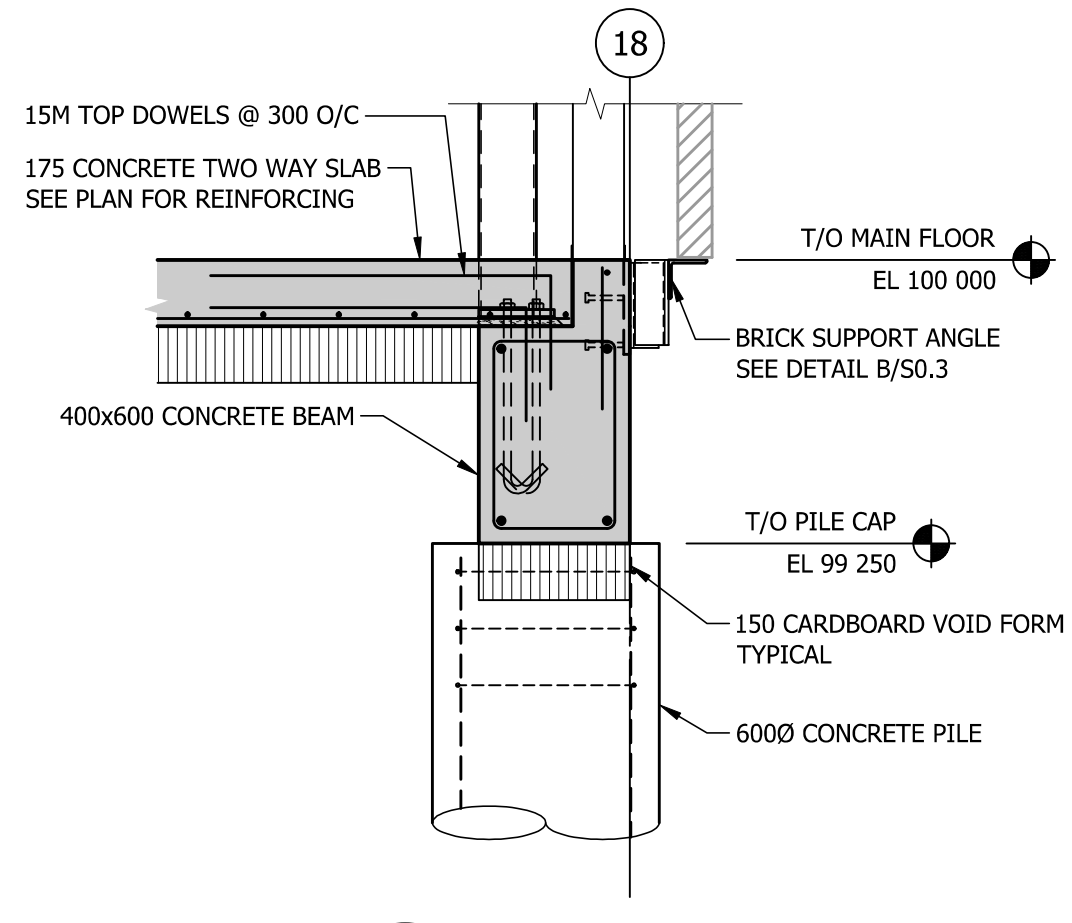


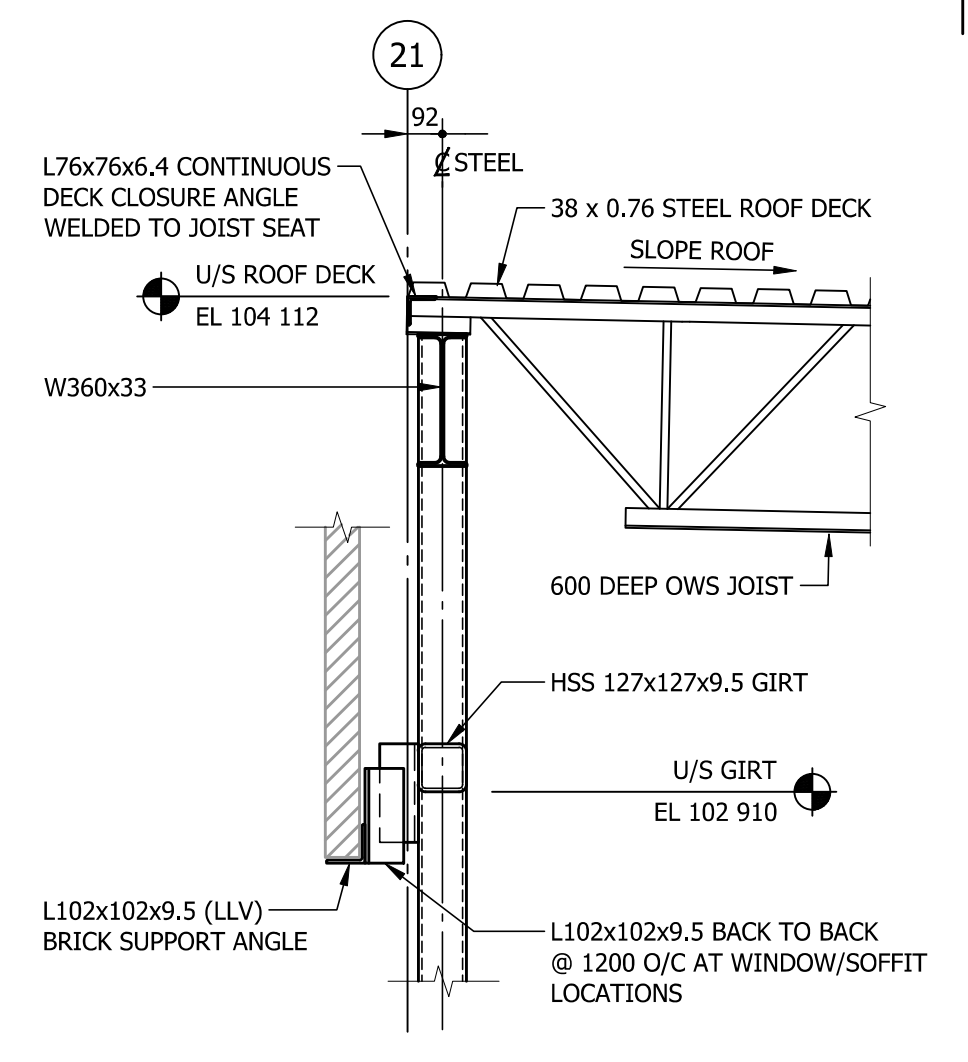
1 SECTION  
S2.1 S6.0 1:20



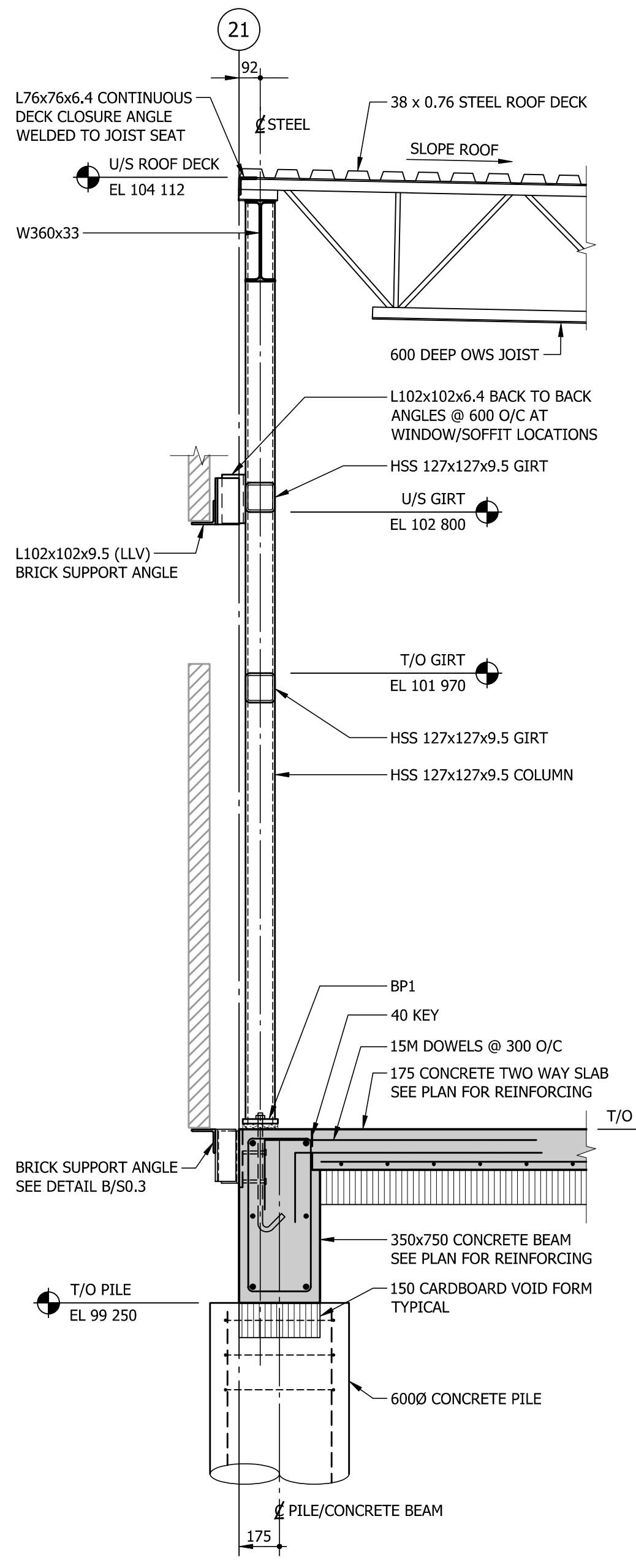
6 SECTION  
S2.2 S6.0 1:20



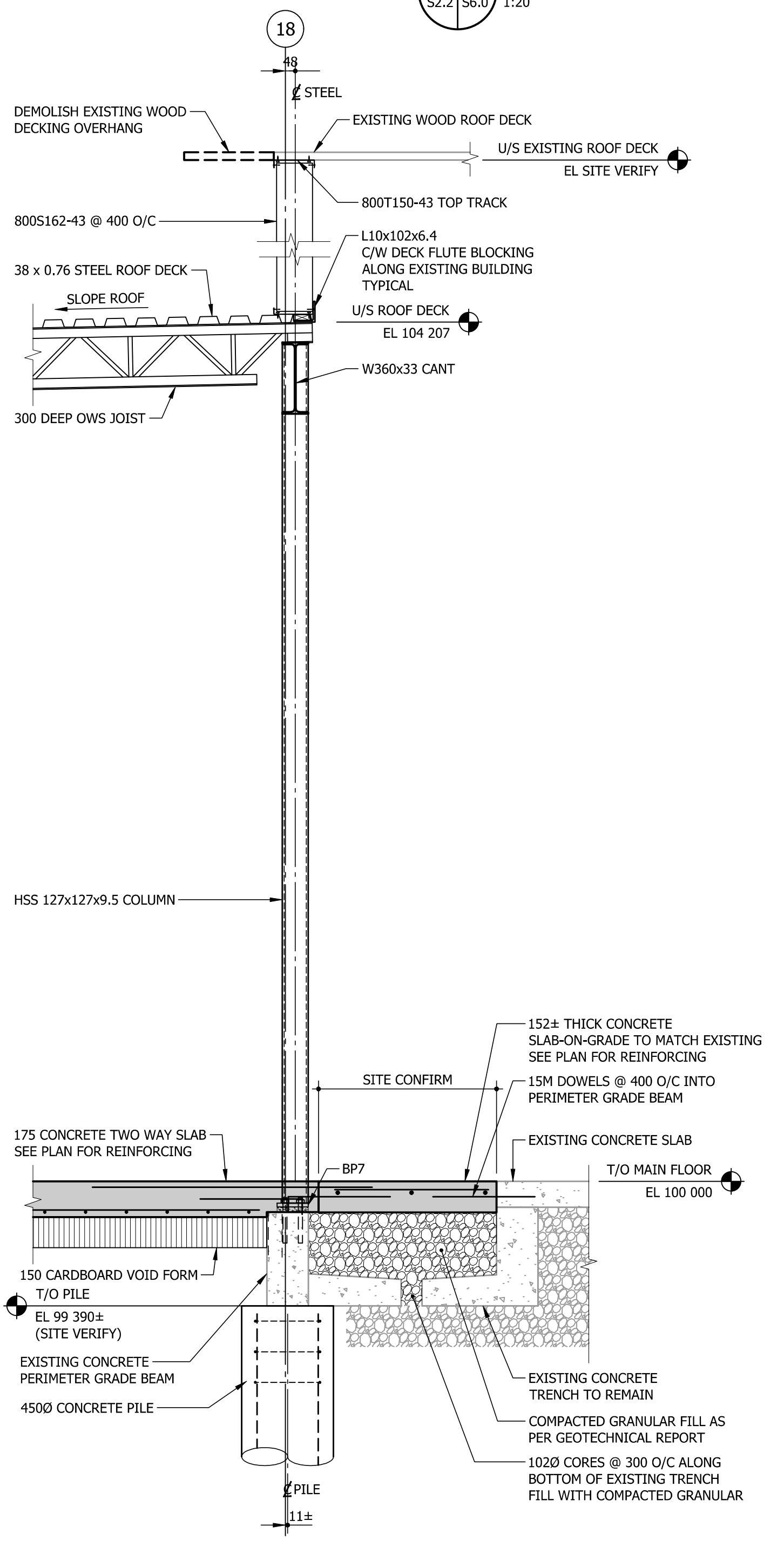
7 SECTION  
S2.2 S6.0 1:20



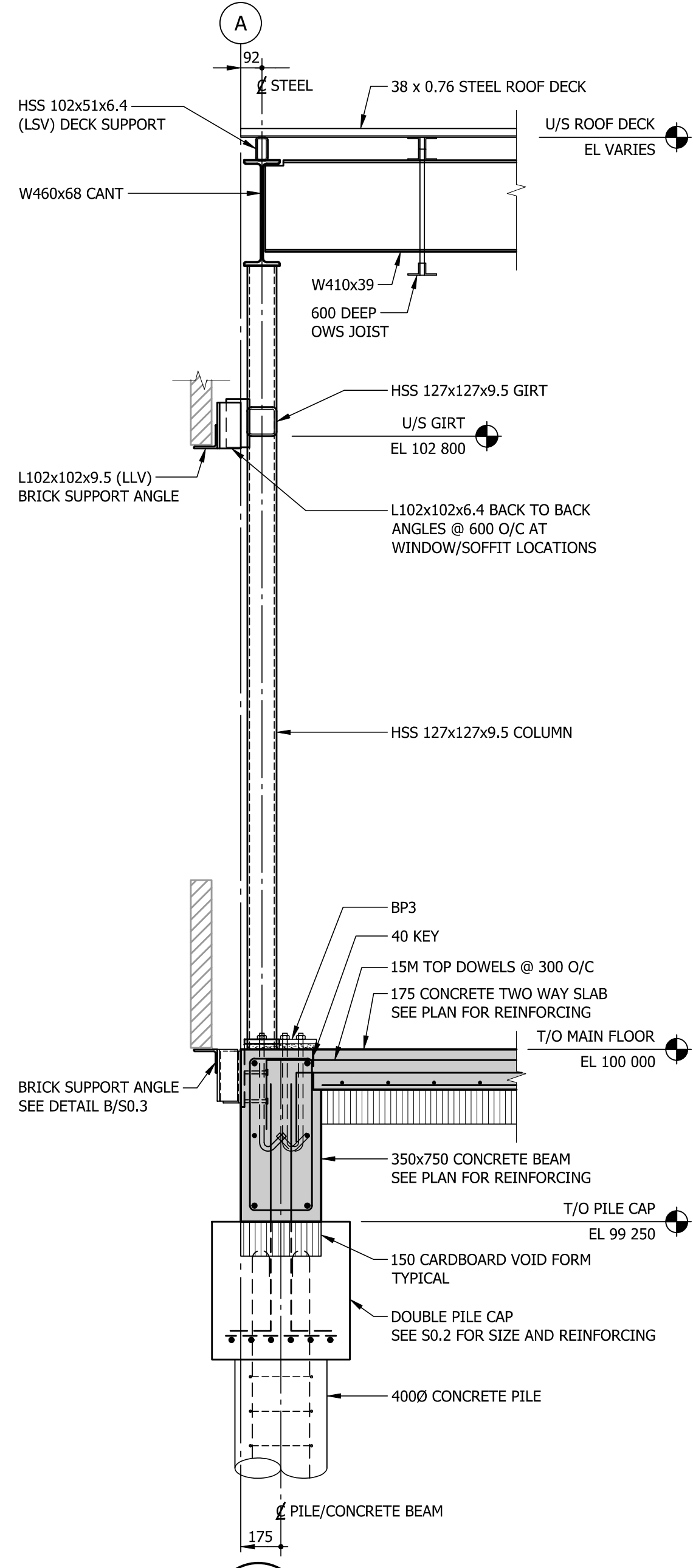
8 SECTION  
S2.2 S6.0 1:20



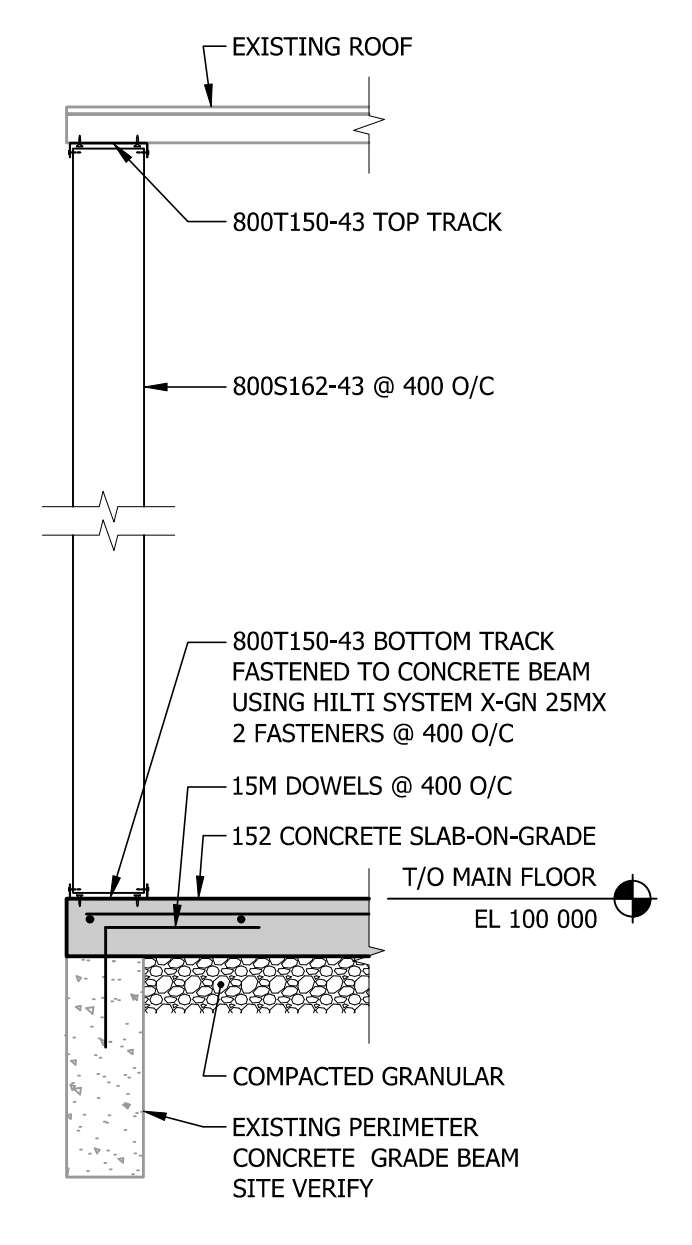
2 SECTION  
S2.2 S6.0 1:20



3 SECTION  
S2.2 S6.0 1:20



4 SECTION  
S2.2 S6.0 1:20



5 SECTION  
S2.2 S6.0 1:20

NOTES:



0	ISSUED FOR CONSTRUCTION	BCC	12/17
No.	REVISION/DESCRIPTION	BY	DATE



**ENGINEERS  
GEOLOGISTS  
MANITOBA**  
Certificate of Authorization  
Crosier Kilgour & Partners Ltd.  
No. 235

KGT/ERB	CHECKED	BF	DESIGNED	BCC	APPROVED	BF
DRAWN	USER	APPROVAL	CAD			

THE CITY OF WINNIPEG  
ASSETS and PROJECT MANAGEMENT  
DEPARTMENT  
MUNICIPAL ACCOMMODATIONS  
DIVISION  
PROJECT 3-65 GARRY STREET, R3C 4K4  
**OLD EXHIBITION ARENA  
REDEVELOPMENT  
ISSUED FOR CONSTRUCTION**  
80 SINCLAIR STREET

SHEET TITLE  
**SECTIONS**

SCALE	PROJECT No:	SHEET No:
AS SHOWN	2020-136	S6.0