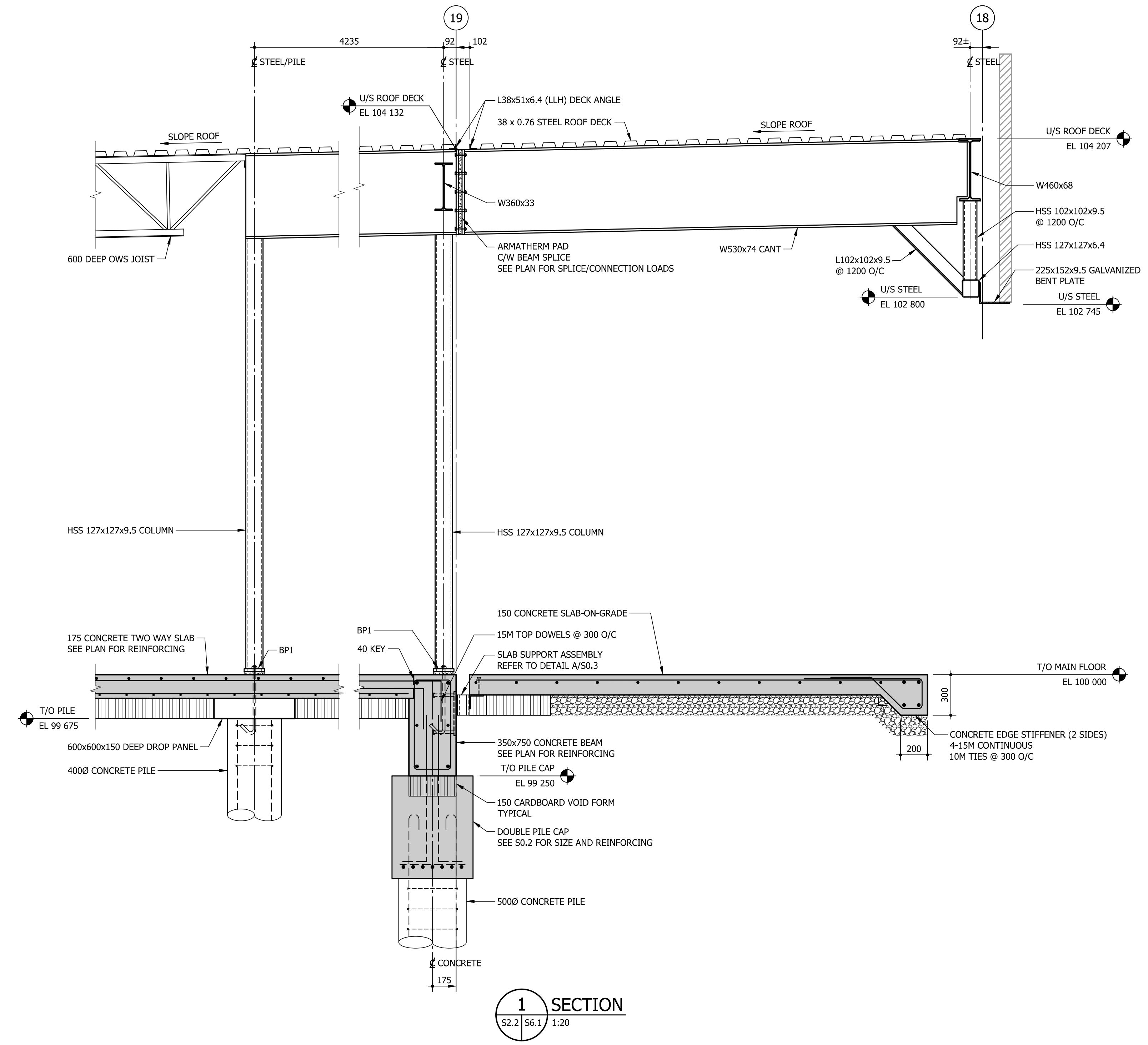
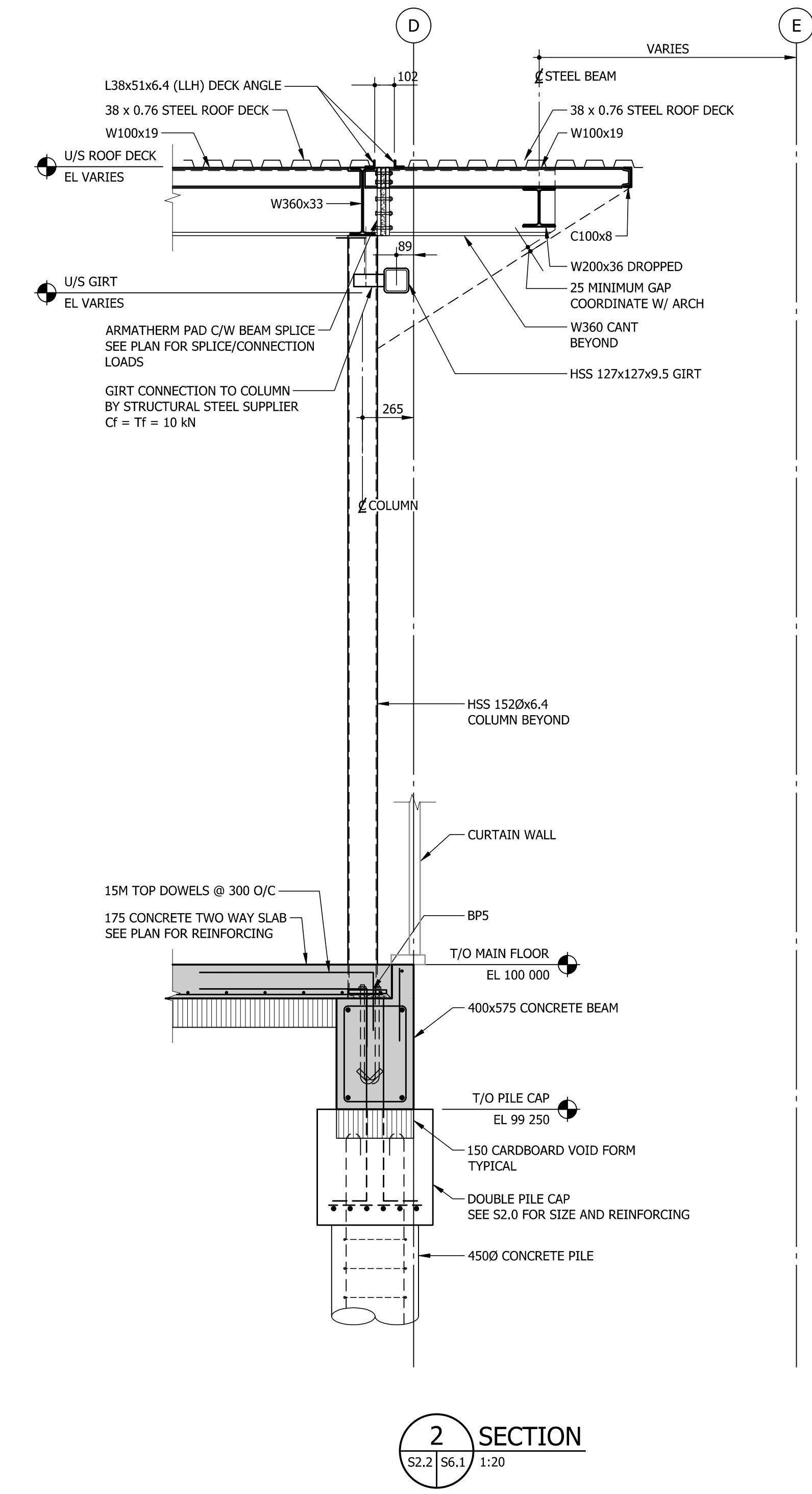


NOTES:



**1 SECTION**  
S2.2 S6.1 1:20



**2 SECTION**  
S2.2 S6.1 1:20



0	ISSUED FOR CONSTRUCTION	BCC	12/17
No.	REVISION/DESCRIPTION	BY	DATE

SEAL

**ENGINEERS GEOSCIENTISTS MANITOBA**  
Certificate of Authorization  
Crosier Kilgour & Partners Ltd.  
No. 235

KGT/ERB	CHECKED	BF	DESIGNED	BCC	APPROVED	BF
DATE	USER	APPROVAL	CAD			
2024.12.16						

THE CITY OF WINNIPEG  
ASSETS and PROJECT MANAGEMENT  
DEPARTMENT  
MUNICIPAL ACCOMMODATIONS  
DIVISION  
PROJECT 3-65 GARRY STREET, R3C 4K4  
**OLD EXHIBITION ARENA**  
REDEVELOPMENT  
ISSUED FOR CONSTRUCTION  
80 SINCLAIR STREET

SECTIONS

SCALE	PROJECT No:	SHEET No:
AS SHOWN	2020-136	S6.1