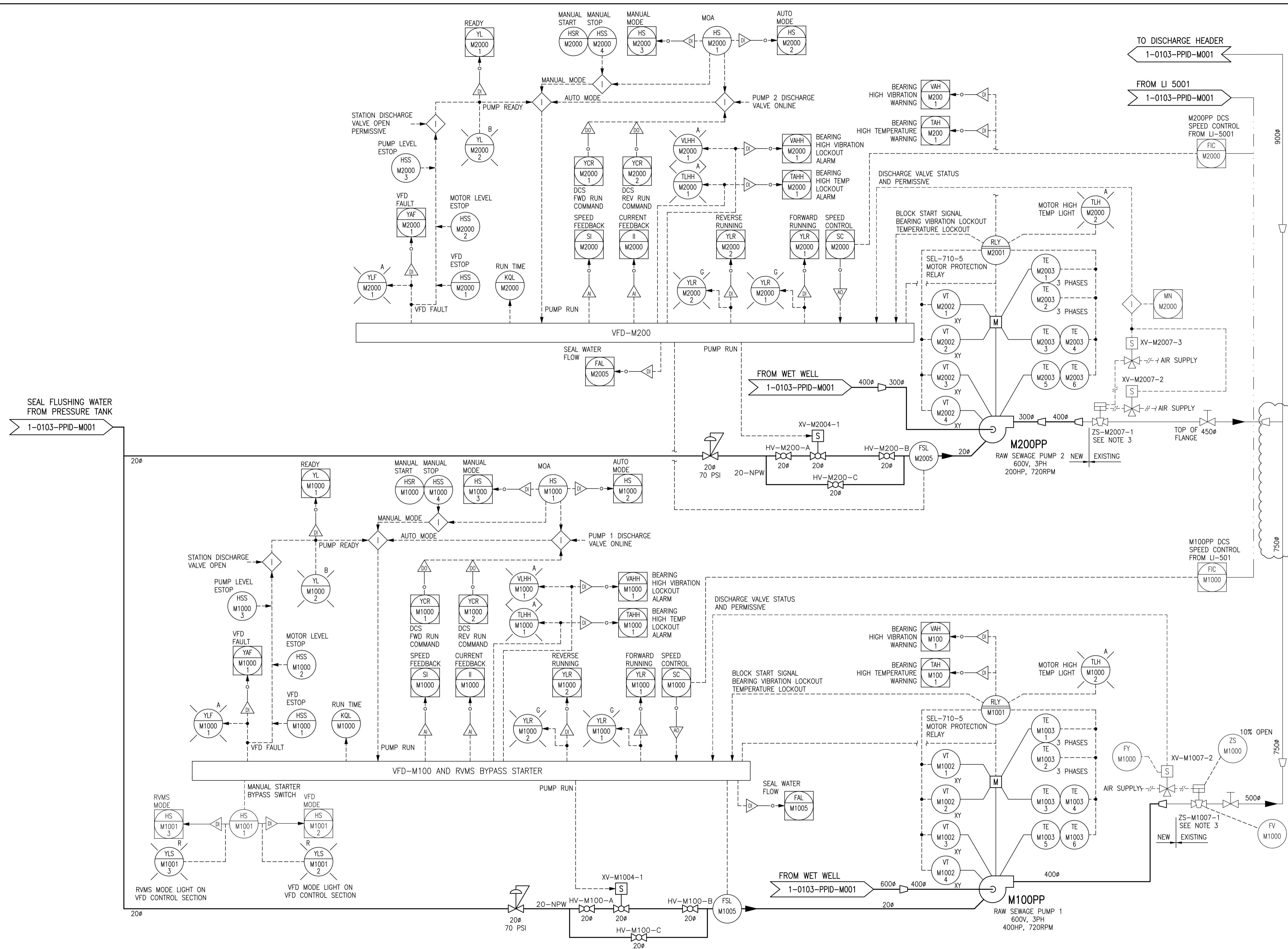


A1 SIZE - 594mm x 841mm  
 LAST SAVE: 2024/07/09 - 4:40pm  
 PATH: M:\V-Data\B4\00 City of Winnipeg\07 - Perimeter Road Pumping Station\AutoDesk\ACAD\1-0103-PPID-M001-001-PD.dwg



- NOTES:**
- PUMP MOTOR ELECTRICAL MONITORING NOT SHOWN.
  - ALL LIGHT ITEMS INDICATE EXISTING CONDITIONS. ALL BOLD INDICATES WORK TO BE COMPLETED.
  - CONTRACTOR TO RE-LABEL EXISTING PNEUMATIC VALVES AND ASSOCIATED SOLENOID VALVES ON SITE.

**LEGEND:**  
 BB BOTTOM BEARING  
 PB PUMP BEARING  
 TB TOP BEARING

NO.	DRAWING NUMBER	REFERENCE DRAWINGS
9	1-0103-EWDG-M005-001	WIRING DIAGRAM M200PP MOTOR PROTECTION RELAY
8	1-0103-EMCL-M003-002	MOTOR STARTER SCHEMATIC PUMP M200PP
7	1-0103-EMCL-M003-001	MOTOR STARTER SCHEMATIC PUMP M200PP
6	1-0103-EWDG-M003-001	WIRING DIAGRAM M100PP MOTOR PROTECTION RELAY
5	1-0103-EMCL-M002-001	MOTOR STARTER SCHEMATIC EXISTING M100PP RVMS STARTER
4	1-0103-EMCL-M001-002	MOTOR STARTER SCHEMATIC PUMP M100PP
3	1-0103-EMCL-M001-001	MOTOR STARTER SCHEMATIC PUMP M100PP

**ENGINEERS  
 GEOSCIENTISTS  
 MANITOBA**  
 Certificate of Authorization  
 MPE, a division of Englobe Corp.  
 No. 4968 Date: JUNE 20, 2024.

NO.	REVISIONS	DATE	DESIGN	CHECK
01	ISSUED FOR ADDENDUM 1	2024-07-09	B.R.B./A.W.K.	
00	ISSUED FOR CONSTRUCTION	2024-06-20	B.R.B./A.W.K.	

**MPE**  
 a division of Englobe

DESIGNED BY: B.R.B. CHECKED BY: A.W.K., P.P.G.  
 DRAWN BY: J.A.B. APPROVED BY: A.W.K.

SCALE: NOT TO SCALE  
 DATE: 2024/06/20

CONSULTANT NO.:  
 RELEASED FOR CONSTRUCTION BY: DATE:

ENGINEER'S SEAL

**B.R. BAKER**  
 Member  
 46231  
 REGISTERED PROFESSIONAL ENGINEER

JULY 9, 2024

REV 01

**THE CITY OF WINNIPEG**  
 WATER AND WASTE DEPARTMENT

PERIMETER ROAD PUMPING STATION  
 2024 UPGRADES  
 PROCESS AND INSTRUMENTATION DIAGRAM  
 WET WELL AND PUMPS 1 & 2

CITY DRAWING NUMBER: **1-0103-PPID-M002** SHEET: 001 REV: 01 SIZE: A

1-0103-PPID-M001-001-PD.dwg