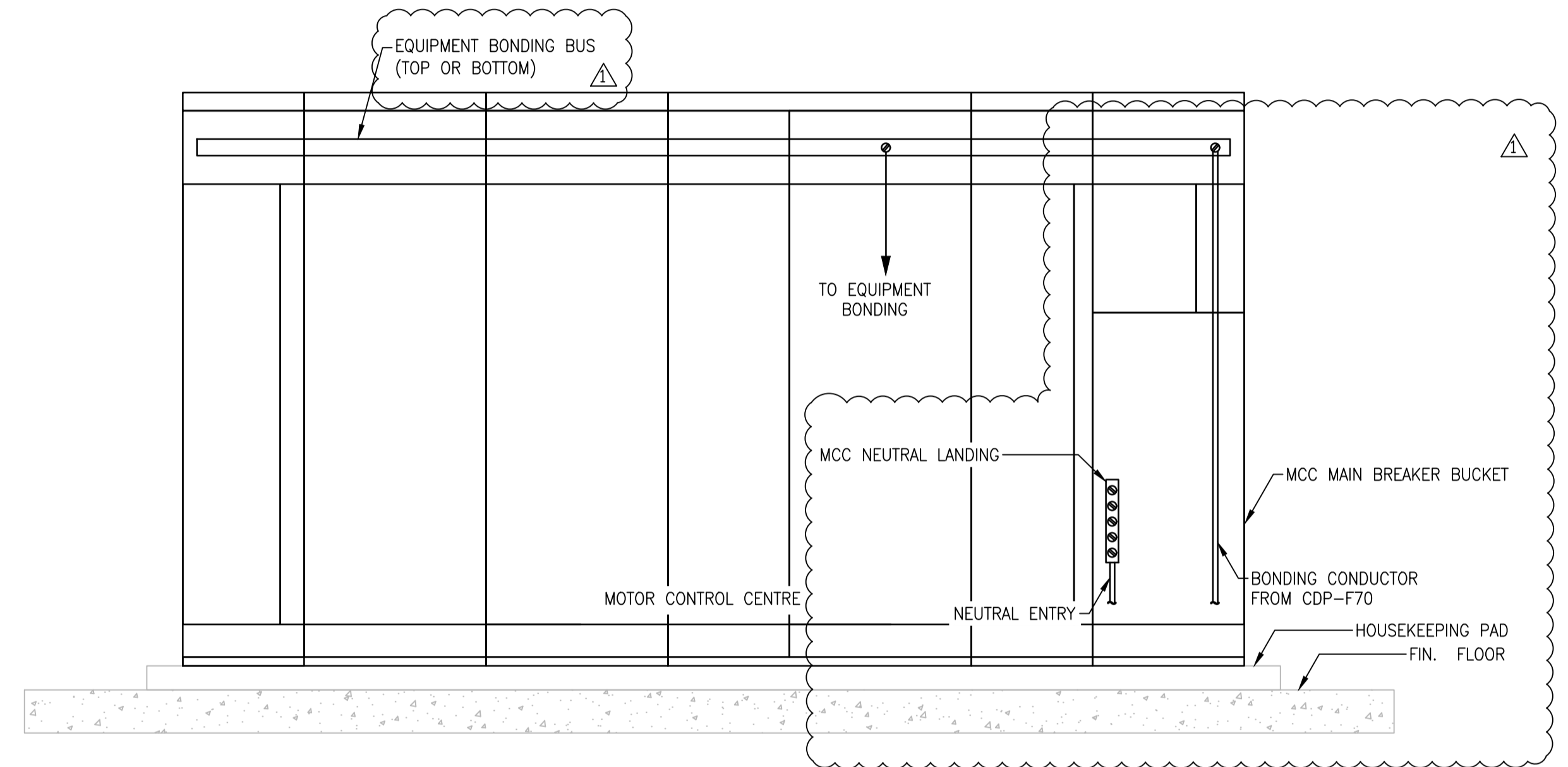
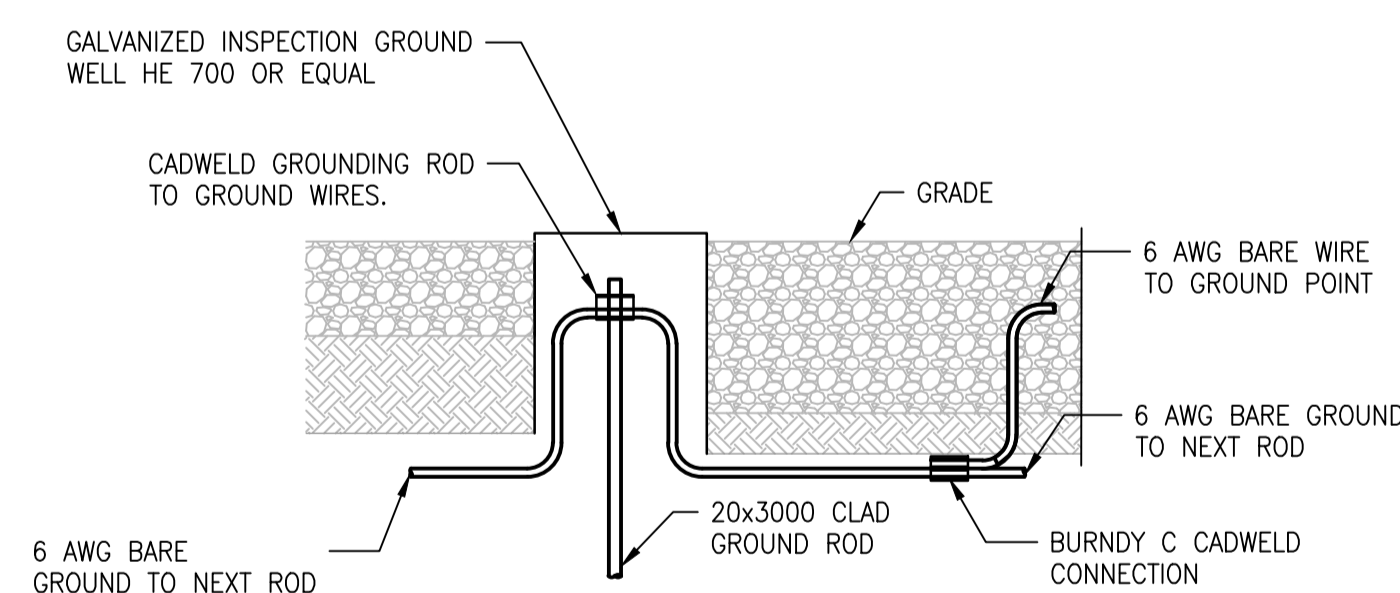


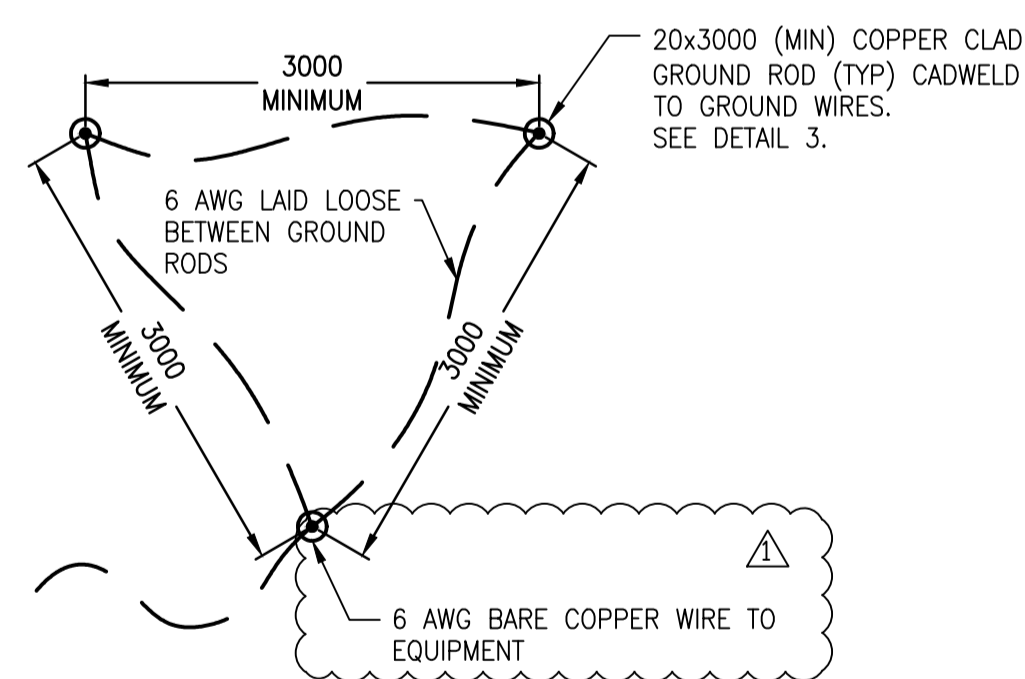
1 GROUNDING RISER DIAGRAM
SCALE: N.T.S.



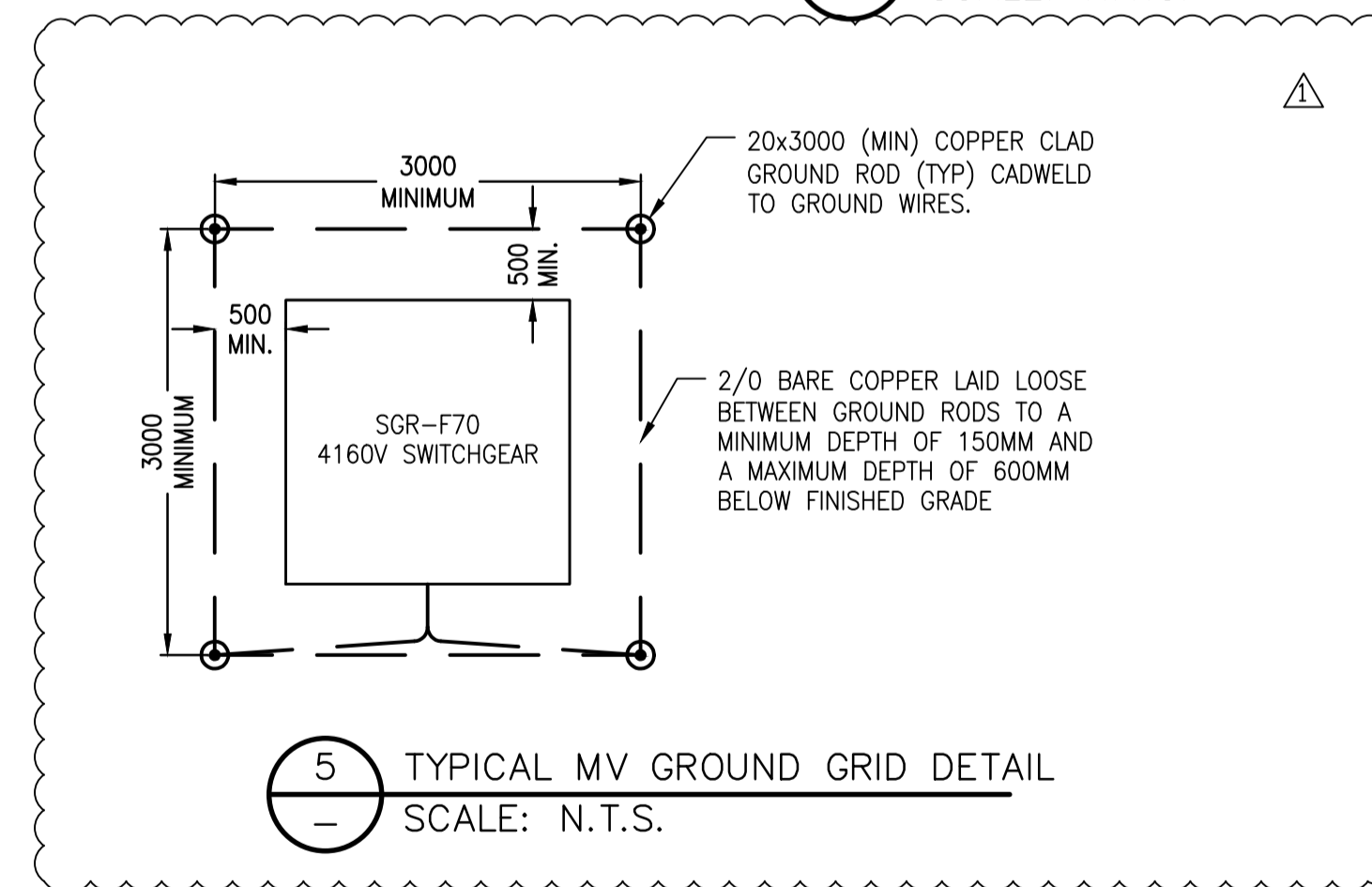
2 MCC GROUNDING CONNECTIONS
SCALE: N.T.S.



3 GROUND WELL AND TEE DETAIL
SCALE: N.T.S.



4 TYPICAL LV GROUND GRID DETAIL
SCALE: N.T.S.

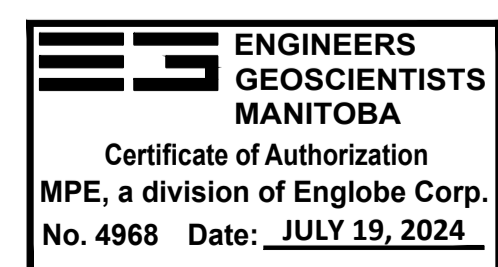


5 TYPICAL MV GROUND GRID DETAIL
SCALE: N.T.S.

- NOTES:
- GROUNDING RISER DIAGRAM REPRESENTS THE MINIMUM GROUNDING AND BONDING REQUIREMENTS. ADDITIONAL GROUNDING AND BONDING HARDWARE ARE TO BE PROVIDED AS REQUIRED TO MEET CODE. CONFIRM GROUNDING REQUIREMENTS WITH MCC SUPPLIER. HARDWARE USED TO BE APPROVED FOR THE PURPOSE.
 - ALL GROUNDING / BONDING WIRES AND COMPRESSION CONNECTORS SHOWN THIS DRAWING ARE NEW AND ARE TO BE PROVIDED AND INSTALLED BY THE CONTRACTOR. CONTRACTOR TO PROVIDE NEUTRAL FROM CUSTOMER OWNED TRANSFORMER TO MCC SERVICE ENTRANCE.
 - DISCONNECT EXISTING GROUND GRID, INSTALL NEW GROUND GRID AT SERVICE ENTRANCE POINT. CONNECT GROUND AS SHOWN.
 - SIZE LOW VOLTAGE GROUND WIRES TO CEC 10-114. SIZE MEDIUM VOLTAGE GROUND WIRES TO CEC 36-302. SIZE BOND CONDUCTORS TO TABLE 16.
 - GROUNDING AND BONDING SYSTEM TO BE TO CEC FIGURE B10-8.
 - MEDIUM VOLTAGE GROUND GRID TO BE INSTALLED SURROUNDING SGR-F70 AS SHOWN IN DETAIL 5.

10		
9		
8		
7		
6		
5		
4	1-0149F-E0012	MCC ELEVATIONS AND DETAILS
3	1-0149F-E0007	ELECTRICAL SITE PLAN
2	1-0149F-E0009	ELECTRICAL BUILDING PLAN
1	1-0149F-E0008	ELECTRICAL BUILDING PLAN
NO.	DRAWING NUMBER	REFERENCE DRAWING TITLE
REFERENCE DRAWINGS		

METRIC
WHOLE NUMBERS INDICATE MILLIMETRES
DECIMALIZED NUMBERS INDICATE METRES
UNLESS OTHERWISE NOTED



B.M. ELEV.				
1	ISSUED FOR ADDENDUM 02	2024-07-19	J.A.S.	
0	ISSUED FOR CONSTRUCTION	2024-06-28	D.A.M.	
NO.	REVISIONS	DATE	BY	

MPE
a division of Englobe

DESIGNED BY J.A.S., R.G.O. CHECKED BY R.G.O.

DRAWN BY D.A.M. APPROVED BY R.G.O.

SCALE: NOT TO SCALE

HORIZONTAL RELEASED FOR CONSTRUCTION

VERTICAL

DATE JUNE 28, 2024 DATE

PLOT DATE: 2024 07 18

PROVINCE OF MANITOBA
R.G. OFSTIE
Member
44405
REGISTERED PROFESSIONAL ENGINEER

JULY 19, 2024

CONSULTANT DRAWING NUMBER
1-0149F-E0013-001-01

THE CITY OF WINNIPEG
WATER AND WASTE DEPARTMENT
ENGINEERING DIVISION

Winnipeg

JESSIE FLOOD PUMPING STATION
2024 UPGRADES
ELECTRICAL GROUNDING DETAILS

CITY DRAWING NUMBER 1-0149F-E0013-001-01 SHEET 33 OF 91