

Drawings and specifications, as instruments of service are the property of the architect, the copyright in the same being reserved to him. No reproduction may be made without the permission of the architect and when made, must bear his name. All prints to be returned to the architect. The contractor shall verify dimensions and data noted herein with conditions on the site and is held responsible for reporting any discrepancy to the architect for adjustment. This drawing shall not be used for building purposes until countersigned by:

SUBCONSULTANTS

5543

ft3
Architecture
Landscape
Interior Design



Suite 200, 300 Waterfront Drive
Winnipeg MB Canada R3B 0G5
t. 204.885.9323

PROJECT NO.	490-2024/24.755
DATE	2024 06 13
DRAWN BY	KS/BG
CHECKED BY	CA
DESIGNED BY	KS/BG
CLIENT	

**CITY OF WINNIPEG
ASSETS AND PROJECT
MANAGEMENT**

PROJECT TITLE
**COLLÈGE BÉLIVEAU
TRACK REFURBISHMENT**

CONTENTS
**LANDSCAPE SITE PLAN
AND LAYOUT PLAN**

DRAWING

L2.1

DRAWING KEYNOTE LEGEND

	CONSTRUCTION KEYNOTES
--	-----------------------

HARDSCAPING

- 1.1. ASPHALT HARD TOP, REFER TO CW 3410
- 1.2. RUBBER TRACK SURFACING C/W ASPHALT UNDERLAY, SEE DETAIL ON THIS SHEET, SPEC AND CW 3410
- 1.3. CONCRETE CURB, FOR HEIGHTS REFER TO I/L3.1 FOR TOC/BOC AND CW 3310-R18
- 1.4. REINSTALL GATE AND ROLLER ONCE GRADING WORKS COMPLETE, REUSE WOOD MATERIAL, HINGES, SLIDING AND LOCKING HARDWARE. INSTALL NEW PISTS, DIMENSIONS AND FUNCTION OF REINSTALLED FENCE AND GATE TO MATCH EXISTING FENCE AND GATE

SOFTSCAPING

- 2.2. EXISTING TREES TO REMAIN, REFER TO DASHED LINE FOR TREE PROTECTION ZONE, REFER TO SPEC
- 2.3. SODDING, REFER TO CW 3510-R10

SITE FURNISHING & PRE-MANUFACTURED SPECIALTIES

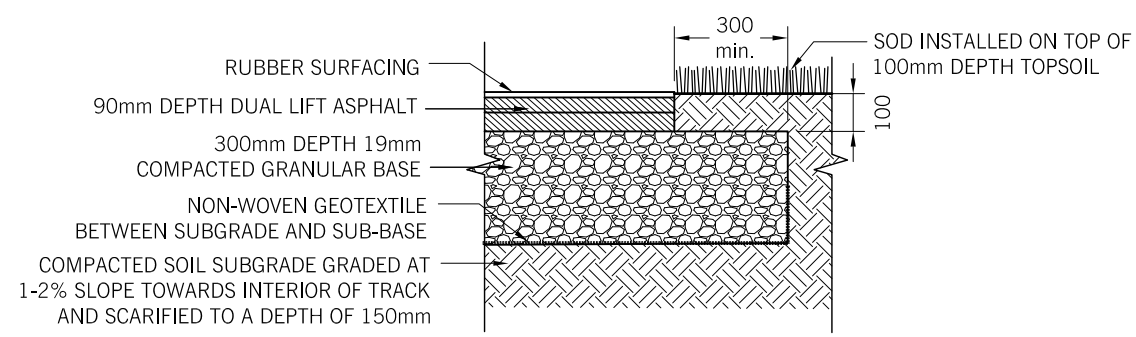
- 3.1. SOCCER GOAL POSTS, REFER TO SPEC

CIVIL

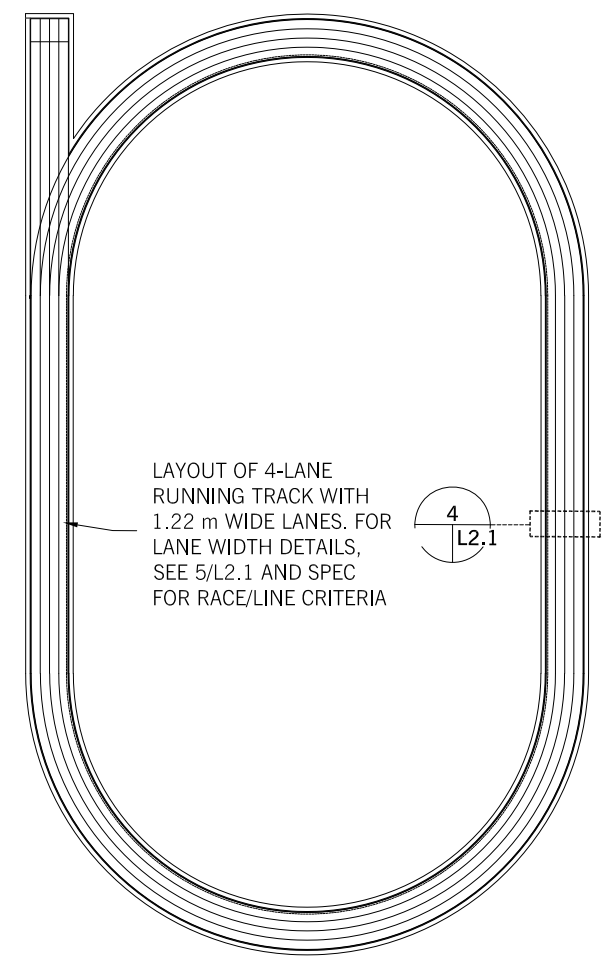
- 4.1. LANDSCAPE DRAIN, REFER TO CIVIL

DRAWING PATTERNS

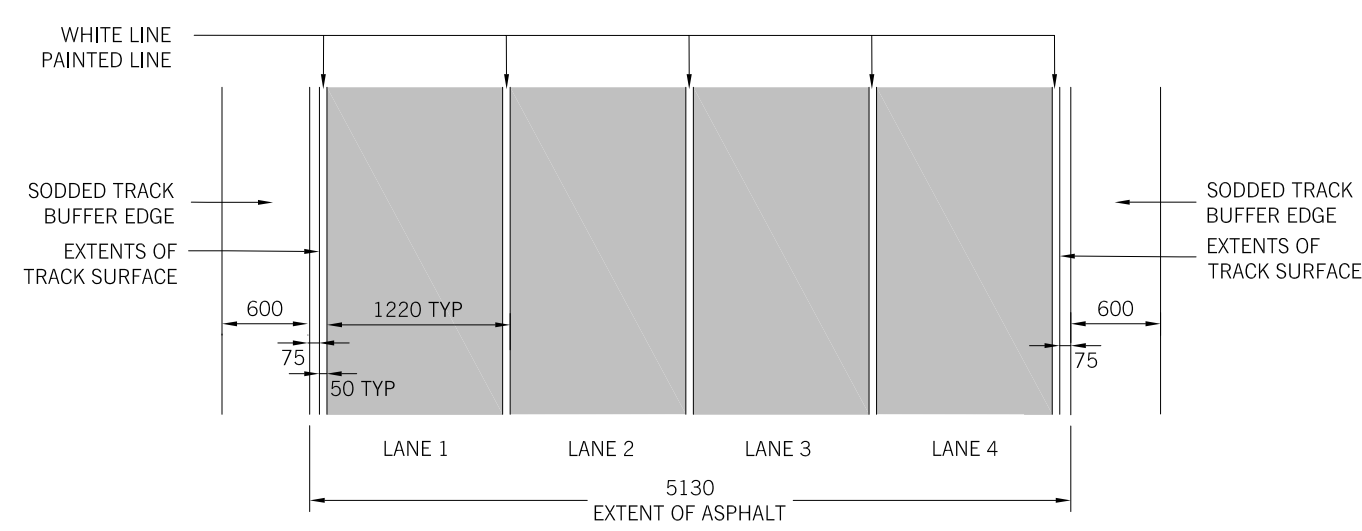
	ASPHALT HARD TOP
	RUBBER TRACK SURFACING
	SODDING



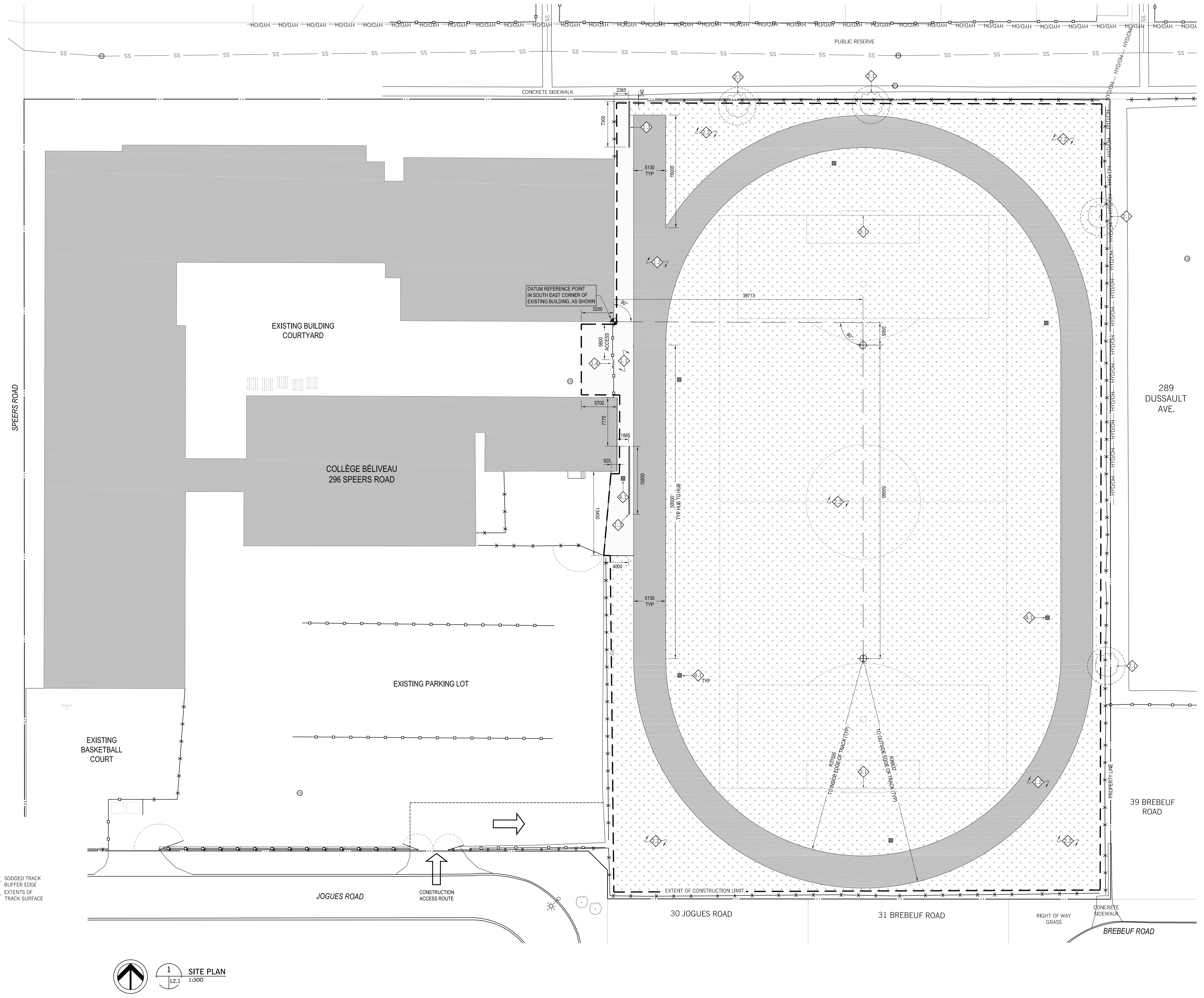
2 RUBBER TRACK SURFACING C/W ASPHALT UNDERLAY
L2.1 1:20



3 TRACK LINE LAYOUT
L2.1 1:1000



4 TRACK LINE DIMENSIONS
L2.1 1:20



1 SITE PLAN
L2.1 1:300