

Copyright Reserved
 The Contractor shall verify and be responsible for all dimensions. DO NOT scale the drawing - any errors or omissions shall be reported to Stantec without delay.
 The Copyrights to all designs and drawings are the property of Stantec. Reproduction or use for any purpose other than that authorized by Stantec is forbidden.

Consultants

Legend

Notes

E			
D			
C			
B			
A	ISSUED FOR CONSTRUCTION	IR	BF 2024.04.28
		By	Appd. YY.MM.DD
File Name:	21015-101	VF/IR	BC BF 24.04.28
		Dwn.	Chkd. Dsgn. YY.MM.DD

Permit-Seal



**ENGINEERS
 GEOSCIENTISTS
 MANITOBA**
 Certificate of Authorization
 Stantec Consulting Ltd.
 No. 1301

Client/Project

Winnipeg CITY OF WINNIPEG
**ROOF REPLACEMENT
 AT 210 PORTAGE AVENUE**
 Winnipeg, Manitoba

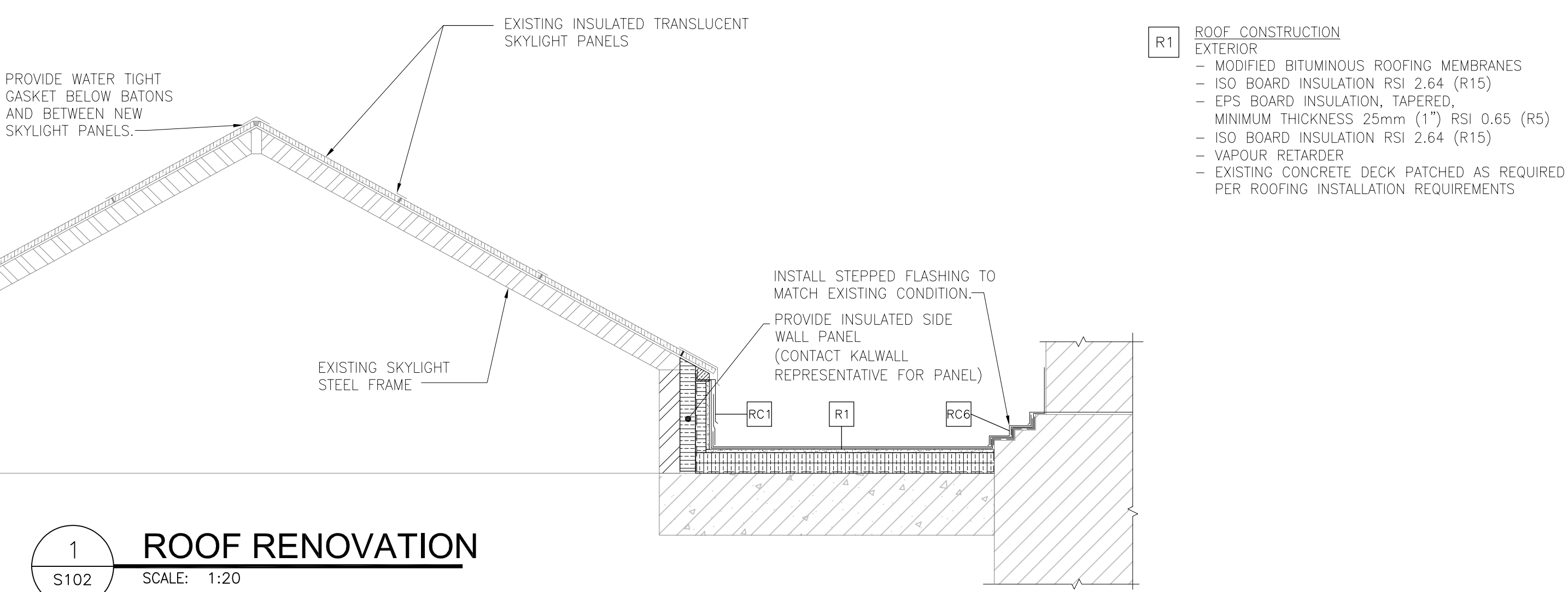
Title

RENOVATED ROOF PLAN

Project No. 115421015 Scale AS NOTED

Drawing No. S-102 Sheet of Revision

S-102 of 0



1 ROOF RENOVATION
 S102 SCALE: 1:20

- R1 ROOF CONSTRUCTION**
 EXTERIOR
 - MODIFIED BITUMINOUS ROOFING MEMBRANES
 - ISO BOARD INSULATION RSI 2.64 (R15)
 - EPS BOARD INSULATION, TAPERED, MINIMUM THICKNESS 25mm (1") RSI 0.65 (R5)
 - ISO BOARD INSULATION RSI 2.64 (R15)
 - VAPOUR RETARDER
 - EXISTING CONCRETE DECK PATCHED AS REQUIRED PER ROOFING INSTALLATION REQUIREMENTS

- RC1 ROOF CURB CONSTRUCTION**
 EXTERIOR
 - GALVANIZED CURB FLASHING
 - SPRAYFOAM INSULATION
 - SECONDARY GALV. FLASHING W/KEEPER BAR
 - MODIFIED BITUMINOUS ROOFING MEMBRANES
 - PROTECTION BOARD OR PLYWOOD ADHERED TO INSULATION
 - 100mm RIGID INSULATION ADHERED TO FACE OF SKYLIGHT
 - VAPOUR RETARDER
 - INSULATED SKYLIGHT WALL PANEL
 - EX. STEEL FRAME SKYLIGHT PAINTED

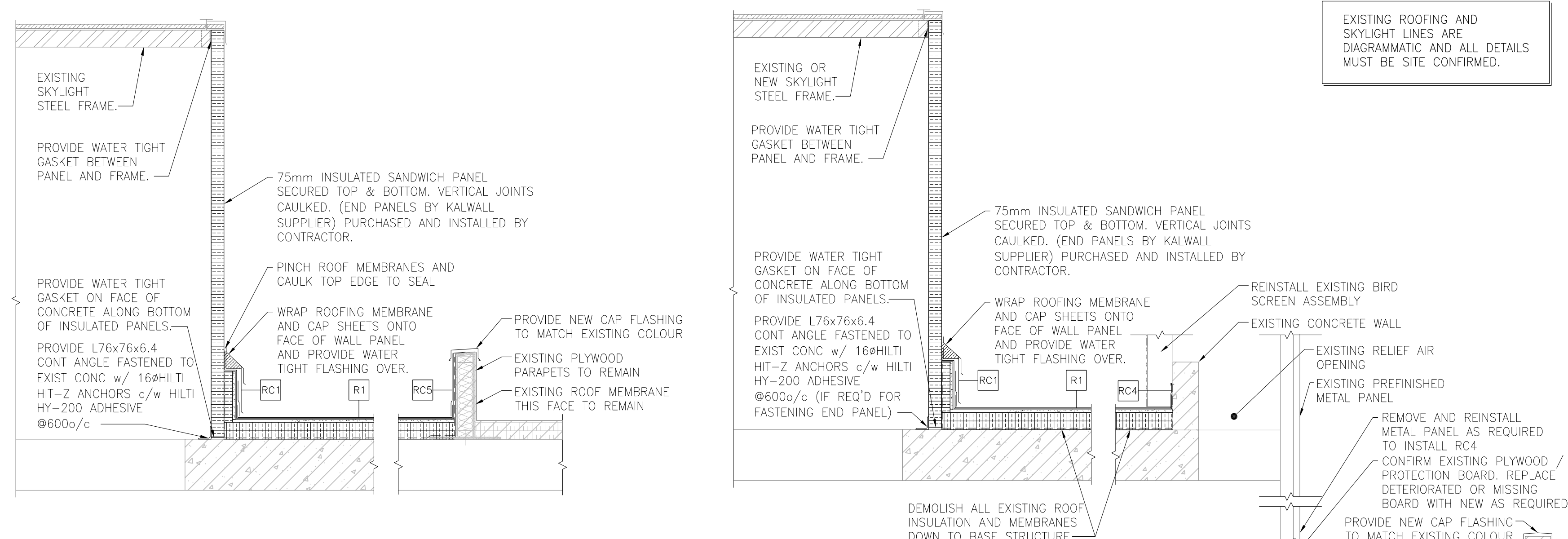
- RC4 ROOF CURB CONSTRUCTION**
 EXTERIOR
 - FLASHING W/KEEPER BAR
 - MODIFIED BITUMINOUS ROOFING MEMBRANES
 - VAPOUR RETARDER
 - EX. CONCRETE CUTOFF WALL
 - EX. RELIEF AIR OPENING

- RC5 ROOF CURB CONSTRUCTION**
 EXTERIOR
 - NEW CAP FLASHING TO MATCH EX. COLOUR
 - MODIFIED BITUMINOUS ROOFING MEMBRANES
 - VAPOUR RETARDER
 - EX. ROOF CURB

- RC6 ROOF CURB CONSTRUCTION**
 EXTERIOR
 - NEW STEPPED CAP FLASHING TO MATCH EX. COLOUR
 - MODIFIED BITUMINOUS ROOFING MEMBRANES
 - VAPOUR RETARDER
 - EX. BUILDING STRUCTURE

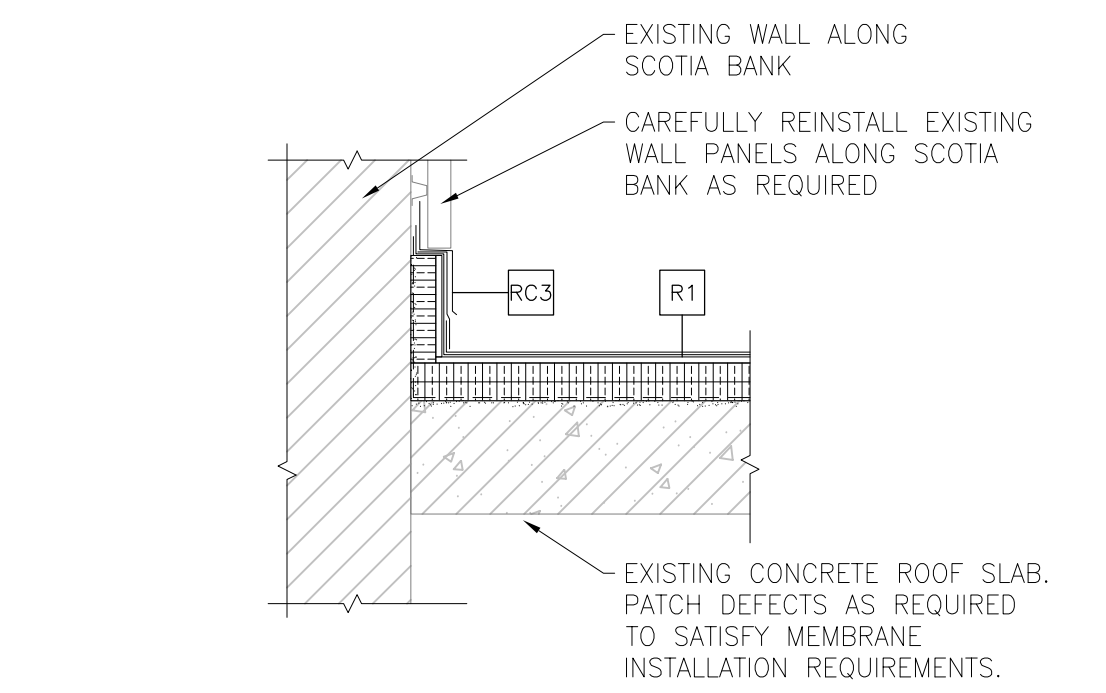
- RC2 ROOF CURB CONSTRUCTION**
 EXTERIOR
 - GALVANIZED CURB FLASHING
 - SPRAYFOAM INSULATION
 - SECONDARY FLASHING W/KEEPER BAR
 - MODIFIED BITUMINOUS ROOFING MEMBRANES
 - PROTECTION BOARD OR PLYWOOD ANCHORED TO FACE OF CONCRETE WALL
 - 100mm RIGID INSULATION
 - EX. BLUESKIN MEMBRANE
 - EX. FACE OF WALL

- RC3 ROOF CURB CONSTRUCTION**
 EXTERIOR
 - GALVANIZED CURB FLASHING
 - SPRAYFOAM INSULATION
 - SECONDARY FLASHING W/KEEPER BAR
 - MODIFIED BITUMINOUS ROOFING MEMBRANES
 - PROTECTION BOARD OR PLYWOOD ANCHORED TO FACE OF CONCRETE WALL
 - 50mm RIGID INSULATION
 - EX. BLUESKIN MEMBRANE
 - EX. FACE OF WALL

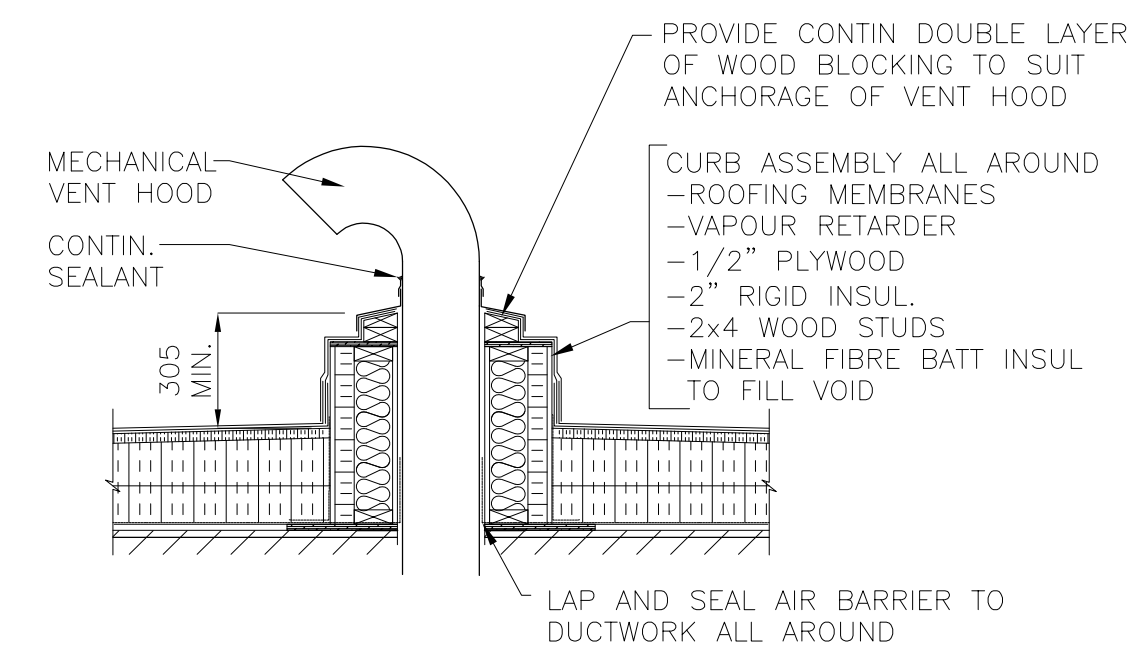


2 ROOF RENOVATION
 S102 SCALE: 1:20

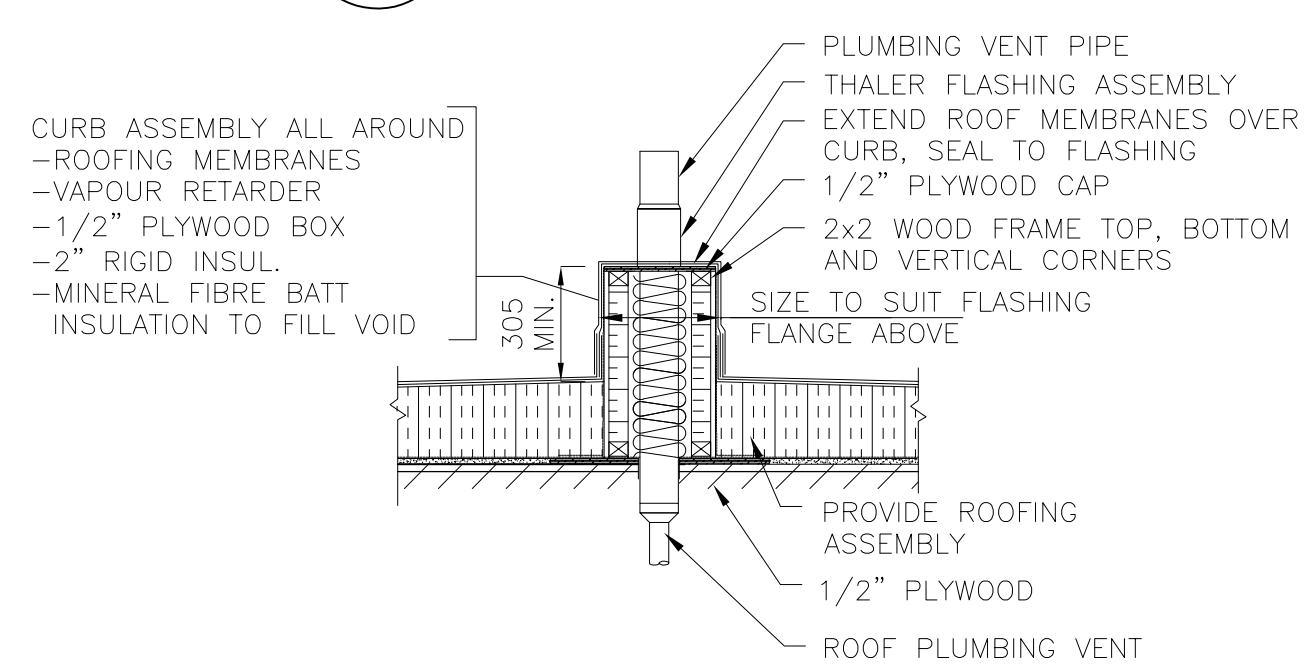
3 ROOF RENOVATION
 S102 SCALE: 1:20



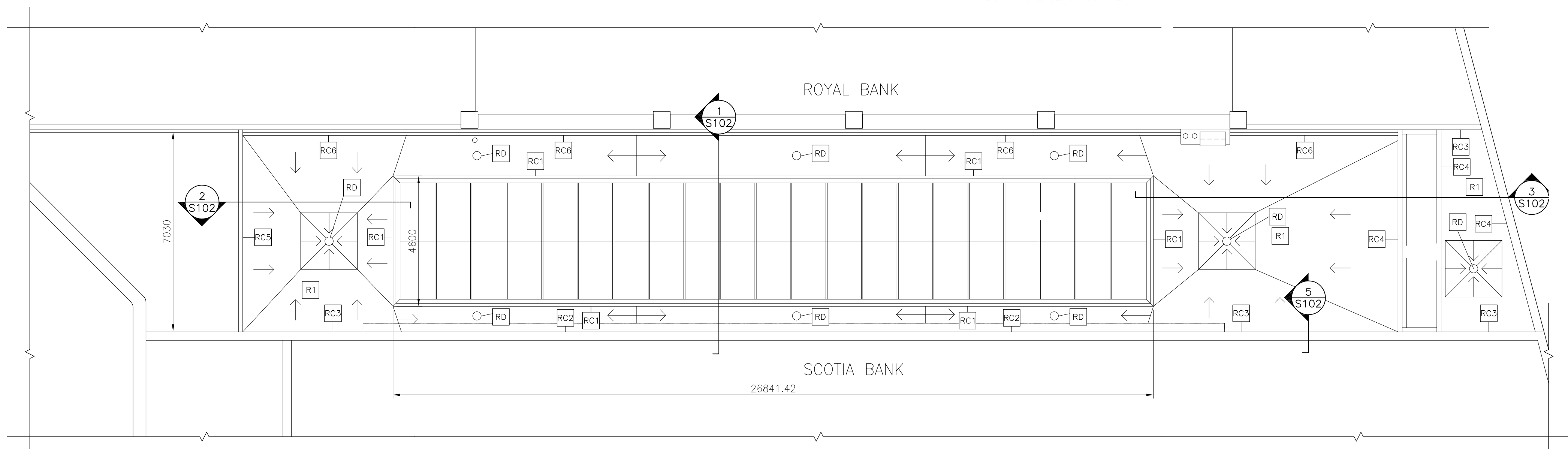
5 ROOF RENOVATION
 S102 SCALE: 1:20



6 TYPICAL ROOF CURB VENT HOOD
 S102 SCALE: 1:20



7 TYPICAL ROOF CURB PLUMBING VENT
 S102 SCALE: 1:20



B RENOVATION PARTIAL ROOF PLAN
 S-102 SCALE: 1:100

I:\115421015\4_wedding_ban\03_struct\02_cad\03_sheets\21015-101.dwg 5:102
 2024/04/28 9:37 AM By: Rourongqi, lan