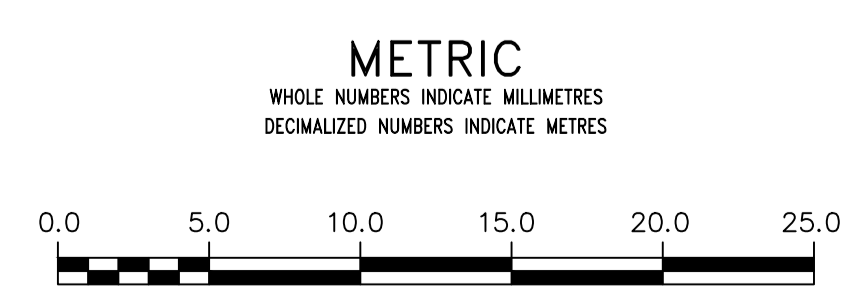
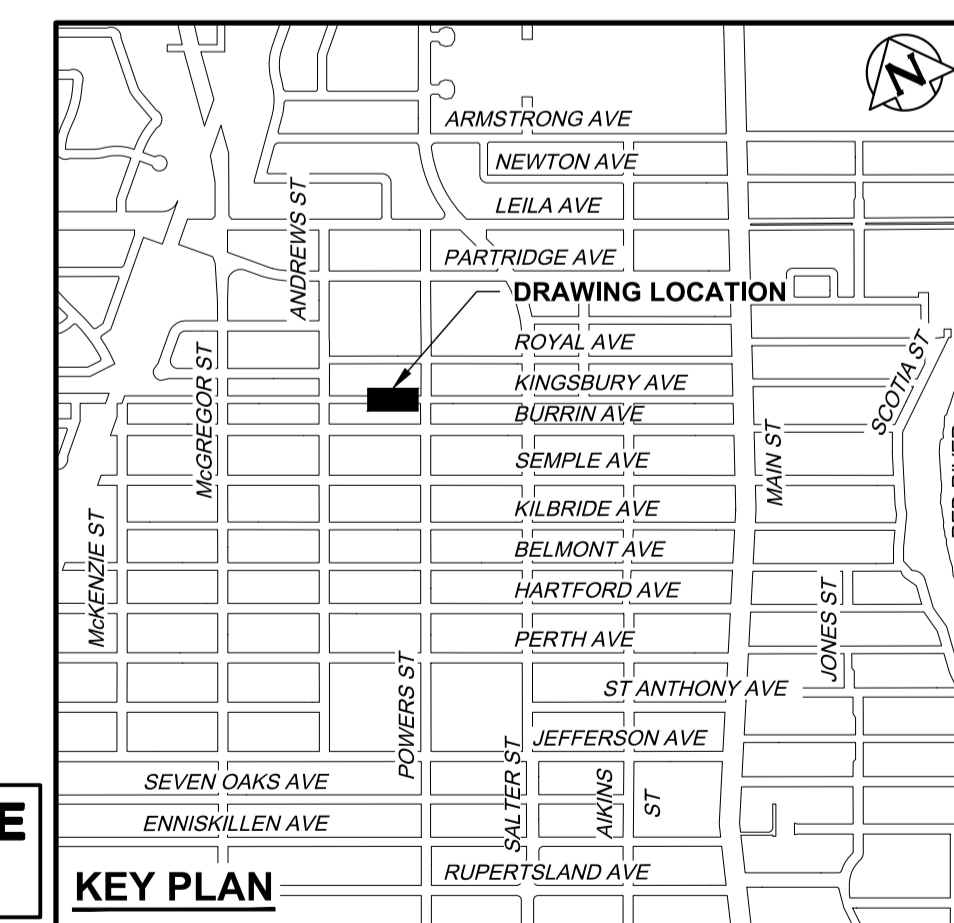
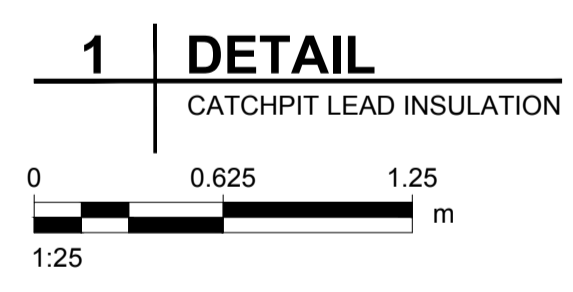
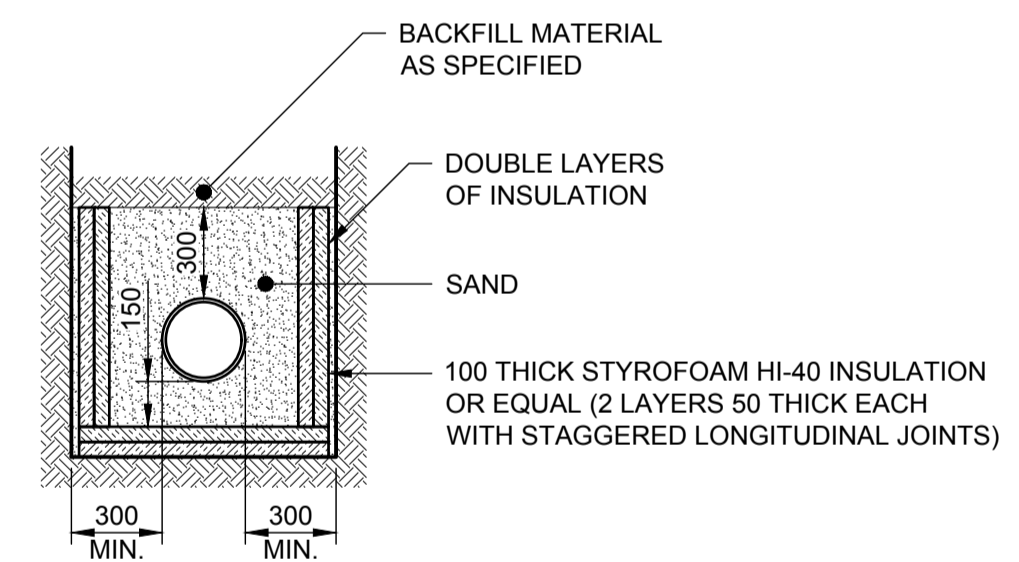
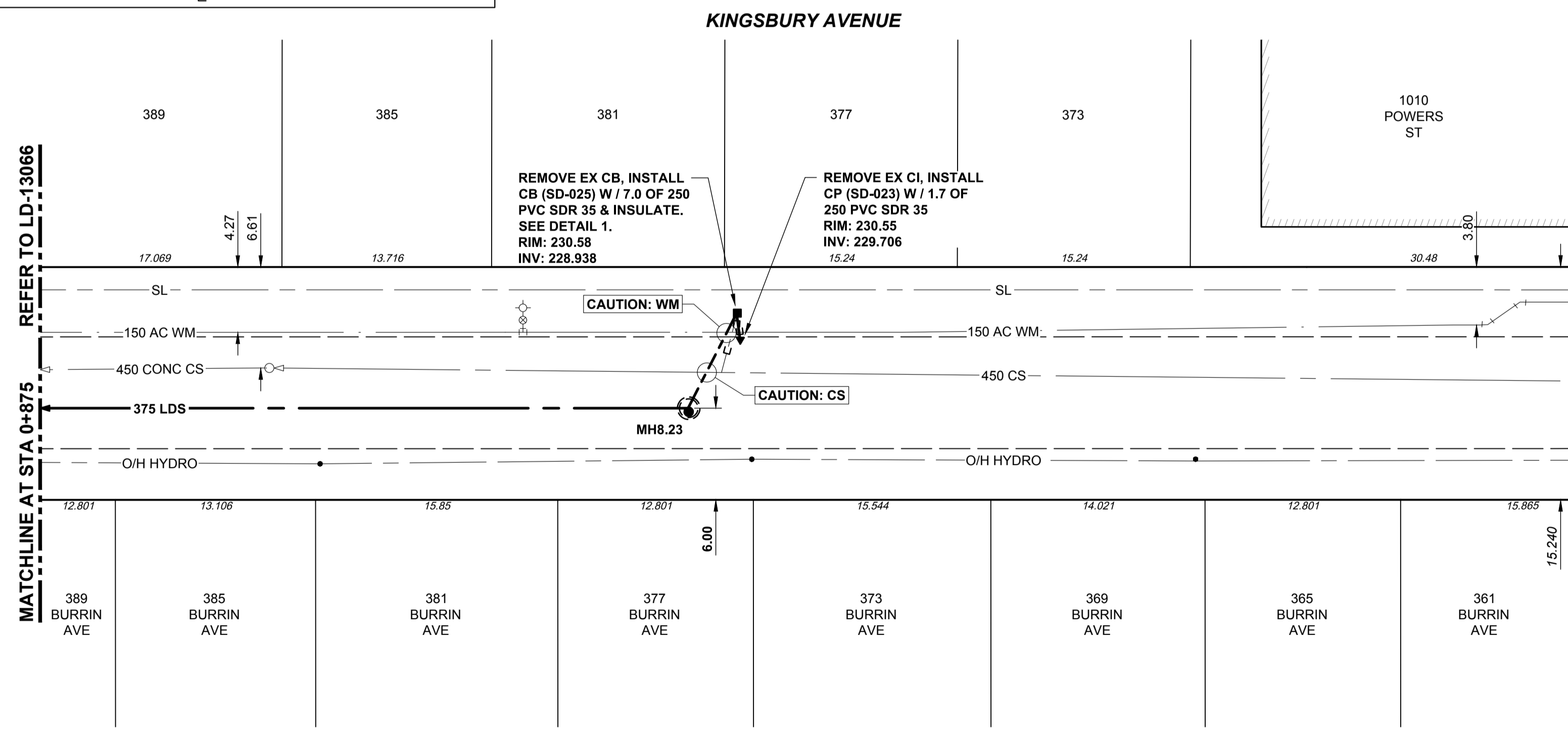


CHAINAGES SHOWN ARE ALONG S. P. OF KINGSBURY AVENUE
STA. 1+000.000 = E P. POWERS STREET



WARNING
IF POWER EQUIPMENT OR EXPLOSIVES ARE TO BE USED FOR EXCAVATION ON THIS PROJECT THE CONTRACTOR MUST:
1) NOTIFY THE GAS COMPANY OF THE PROPOSED LOCATION OF EXCAVATION.
2) TAKE PRECAUTION TO AVOID DAMAGE TO GAS COMPANY INSTALLATIONS.
SEE PROVINCIAL REGULATION 21072 FOR DETAILS

LOCATION APPROVED
UNDERGROUND STRUCTURES
SUPV. U/G STRUCTURES COMMITTEE DATE
NOTE:
LOCATION OF UNDERGROUND STRUCTURES AS SHOWN ARE BASED ON THE BEST INFORMATION AVAILABLE BUT NO GUARANTEE IS GIVEN THAT ALL EXISTING UTILITIES ARE SHOWN OR THAT THE GIVEN LOCATIONS ARE EXACT. CONFIRMATION OF EXISTENCE AND EXACT LOCATION OF ALL SERVICES MUST BE OBTAINED FROM THE INDIVIDUAL UTILITIES BEFORE PROCEEDING WITH CONSTRUCTION.

B.M. ELEV.		CONSTRUCTION COMPLETION DATE: YYYY MM DD	
NO.	REVISIONS	DATE	BY
0	ISSUED FOR TENDER	24/09/25	ADL

AECOM

DESIGNED BY	MJK	CHECKED BY	MPG
DRAWN BY	ADL	APPROVED BY	KWF
SCALE:		RELEASED FOR CONSTRUCTION	
HORIZONTAL	1:250		
VERTICAL	1:50		
DATE	2024 09 24	DATE	2024 10 01

ENGINEER'S SEAL
CONSULTANT DRAWING NUMBER
C-1020

FOR INDEX SEE LD-13042

THE CITY OF WINNIPEG
WATER AND WASTE DEPARTMENT
ENGINEERING DIVISION

JEFFERSON EAST COMBINED SEWER RELIEF
CONTRACT 8
KINGSBURY AVENUE
75m EAST OF ANDREWS STREET
TO 5m WEST OF POWERS STREET

SHEET 22 OF 24
CITY DRAWING NUMBER
LD-13067

ENGINEERS GEOSCIENTISTS MANITOBA
Certificate of Authorization
AECOM Canada Ltd.
No. 4671 Date: 24/09/25