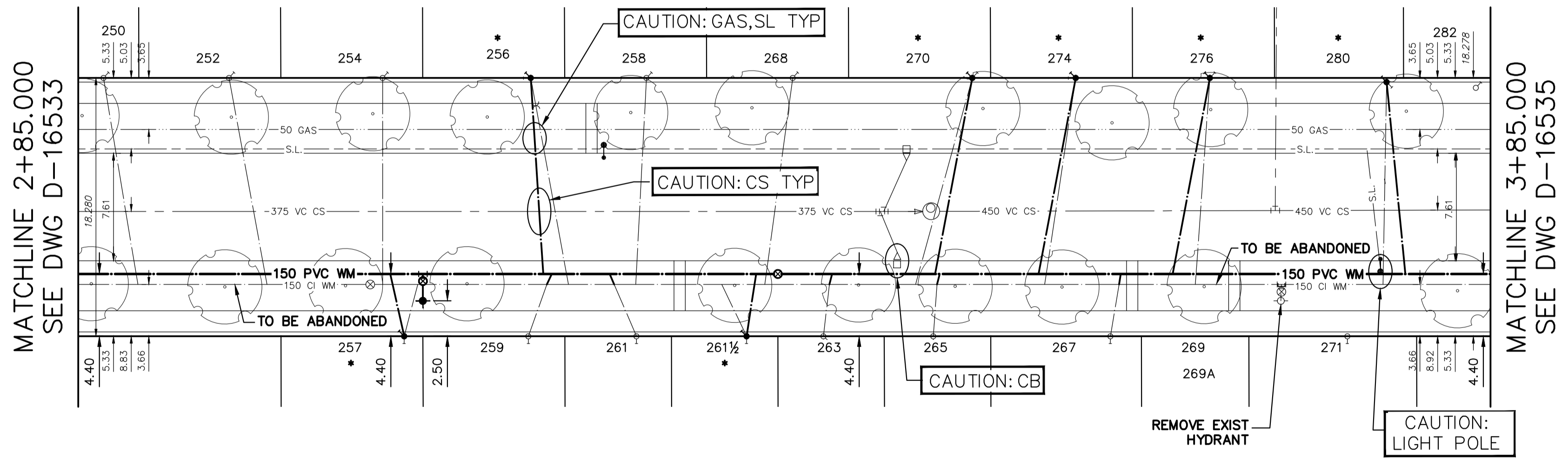
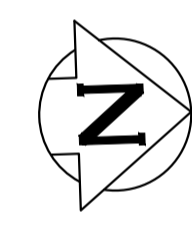


WATER SERVICE INFORMATION					
ADDRESS	SIZE (mm) MATERIAL (STREET)	SIZE (mm) MATERIAL (PROP.)	SHORT & LONG MEASUREMENT	CORP LOCATION	REMARKS
250 MARJORIE ST	-	-	2.20 NSL BLDG	2.4 N OF S/C	RECONNECT SERVICE
252 MARJORIE ST	-	-	238.500>NNL PORTAGE AVE	2.7 N OF S/C	RECONNECT SERVICE
254 MARJORIE ST	-	-	3.17 NSL BLDG	2.7 N OF S/C	RECONNECT SERVICE
254 MARJORIE ST	20	12	247.350>NNL PORTAGE AVE	OPP OF S/C	RECONNECT SERVICE
254 MARJORIE ST	20	12	4.83 NSL BLDG	2.7 N OF S/C	RECONNECT SERVICE
256 MARJORIE ST	12	20	258.270>NNL PORTAGE AVE	2.7 N OF S/C	RENEW TO R W/20 CU
257 MARJORIE ST	12	-	5.44 NSL BLDG	1.0 N OF S/C	RENEW TO R W/20 CU
257 MARJORIE ST	LEAD	CU	156.440>NNL PORTAGE AVE	1.0 N OF S/C	RENEW TO R W/20 CU
258 MARJORIE ST	-	-	4.80 NSL BLDG	0.8 S OF S/C	RECONNECT SERVICE
259 MARJORIE ST	-	-	258.090>NNL PORTAGE AVE	1.3 N OF S/C	RECONNECT SERVICE
259 MARJORIE ST	-	-	6.24 NSL BLDG	1.6 S OF S/C	RECONNECT SERVICE
261 MARJORIE ST	-	-	266.890>NNL PORTAGE AVE	1.6 S OF S/C	RECONNECT SERVICE
261 MARJORIE ST	-	-	4.25 NSL BLDG	1.8 S OF S/C	RECONNECT SERVICE
261 1/2 MARJORIE ST	-	-	274.540>NNL PORTAGE AVE	1.8 S OF S/C	RENEW TO R W/20 CU
261 1/2 MARJORIE ST	-	-	5.14 NSL BLDG	1.8 S OF S/C	RECONNECT SERVICE
263 MARJORIE ST	-	-	282.330>NNL PORTAGE AVE	0.4 N OF S/C	RECONNECT SERVICE
263 MARJORIE ST	-	-	2.77 NSL BLDG	0.3 N OF S/C	RECONNECT SERVICE
265 MARJORIE ST	20	20	287.720>NNL PORTAGE AVE	0.3 N OF S/C	RECONNECT SERVICE
265 MARJORIE ST	CU	CU	3.06 NSL BLDG	0.6 N OF S/C	RECONNECT SERVICE
267 MARJORIE ST	20	12	295.550>NNL PORTAGE AVE	2.0 S OF S/C	RECONNECT SERVICE
267 MARJORIE ST	CU	CU	6.37 NSL BLDG	2.0 S OF S/C	RECONNECT SERVICE
268 MARJORIE ST	-	-	308.090>NNL PORTAGE AVE	2.0 S OF S/C	RECONNECT SERVICE
268 MARJORIE ST	-	-	4.20 NSL BLDG	2.0 S OF S/C	RECONNECT SERVICE
269 MARJORIE ST	-	-	287.300>NNL PORTAGE AVE	-	RECONNECT SERVICE
269 MARJORIE ST	-	-	6.15 NSL BLDG	-	RECONNECT SERVICE
269A MARJORIE ST	-	-	324.870>NNL PORTAGE AVE	-	RECONNECT SERVICE
269A MARJORIE ST	-	-	6.15 NSL BLDG	-	RECONNECT SERVICE
270 MARJORIE ST	-	-	324.870>NNL PORTAGE AVE	-	RECONNECT SERVICE
270 MARJORIE ST	-	-	7.91 NSL BLDG	4.0 S OF S/C	RENEW TO R W/20 CU PREVIOUSLY FROZEN
271 MARJORIE ST	-	-	300.010>NNL PORTAGE AVE	-	RECONNECT SERVICE
271 MARJORIE ST	-	-	6.15 NSL BLDG	-	RECONNECT SERVICE
271 MARJORIE ST	-	-	324.870>NNL PORTAGE AVE	-	RECONNECT SERVICE
274 MARJORIE ST	12	12	4.18 NSL BLDG	2.2 S OF S/C	RENEW TO R W/20 CU
274 MARJORIE ST	LEAD	LEAD	307.330>NNL PORTAGE AVE	2.2 S OF S/C	RENEW TO R W/20 CU
276 MARJORIE ST	-	-	3.94 NSL BLDG	1.0 S OF S/C	RENEW TO R W/20 CU
276 MARJORIE ST	-	-	316.830>NNL PORTAGE AVE	0.3 S OF S/C	RENEW TO R W/20 CU PREVIOUSLY FROZEN
280 MARJORIE ST	20	20	7.00 NSL BLDG	0.3 S OF S/C	RENEW TO R W/20 CU PREVIOUSLY FROZEN
280 MARJORIE ST	CU	CU	329.350>NNL PORTAGE AVE	-	RECONNECT SERVICE
282 MARJORIE ST	-	-	4.56 NSL BLDG	-	RECONNECT SERVICE
282 MARJORIE ST	-	-	335.660>NNL PORTAGE AVE	-	RECONNECT SERVICE

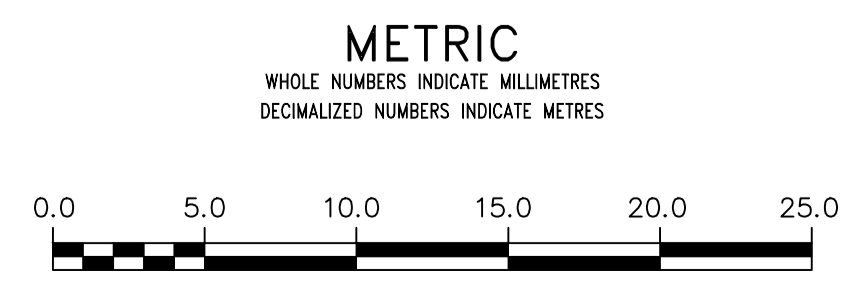
NOTE: CHAINAGES SHOWN ARE ALONG E. R. OF MARJORIE STREET

MARJORIE STREET



FOR INDEX SEE D-16527

NOTE: ALL VALVES TO BE INSTALLED COUNTERCLOCKWISE TO CLOSE



WARNING
IF POWER EQUIPMENT OR EXPLOSIVES ARE TO BE USED FOR EXCAVATION ON THIS PROJECT THE CONTRACTOR MUST:
1) NOTIFY THE GAS COMPANY OF THE PROPOSED LOCATION OF EXCAVATION.
2) TAKE PRECAUTION TO AVOID DAMAGE TO GAS COMPANY INSTALLATIONS.
SEE PROVINCIAL REGULATION 210/72 FOR DETAILS

LOCATION APPROVED
UNDERGROUND STRUCTURES
SUPV. U/G STRUCTURES COMMITTEE DATE
NOTE:
LOCATION OF UNDERGROUND STRUCTURES AS SHOWN ARE BASED ON THE BEST INFORMATION AVAILABLE BUT NO GUARANTEE IS GIVEN THAT ALL EXISTING UTILITIES ARE SHOWN OR THAT THE GIVEN LOCATIONS ARE EXACT. CONFIRMATION OF EXISTENCE AND EXACT LOCATION OF ALL SERVICES MUST BE OBTAINED FROM THE INDIVIDUAL UTILITIES BEFORE PROCEEDING WITH CONSTRUCTION.

VERTICAL DATUM: CGVD28 (HT2.0 Geoid)			
HORIZONTAL DATUM: NAD83 (June 1990), Zone 14			
NO.	REVISIONS	DATE	BY

DESIGNED BY	RG	CHECKED BY	SC
DRAWN BY	AJ	APPROVED BY	SC
SCALE:		RELEASED FOR CONSTRUCTION	
HORIZONTAL	1:250		
VERTICAL	1:50		
DATE	2024 03 08	DATE	
PLOT DATE:	2024 03 08		

ENGINEER'S SEAL
PROVINCE OF MANITOBA
S.R.J. COURNOYER
Member
22699
2024-03-15
REGISTERED PROFESSIONAL ENGINEER
Digitally signed by Stacy Cournoyer, P. Eng.
CONSULTANT DRAWING NUMBER

THE CITY OF WINNIPEG
WATER AND WASTE DEPARTMENT
ENGINEERING DIVISION
2024 WATER MAIN RENEWALS
CONTRACT 2
MARJORIE STREET
215 S OF NESS AVENUE TO
315 S OF NESS AVENUE
SHEET 9 OF 12
CITY DRAWING NUMBER
D-16534