

**WATER SERVICE INFORMATION**

ADDRESS	SIZE (mm) MATERIAL (STREET)	SIZE (mm) MATERIAL (PROP.)	SHORT & LONG MEASUREMENT	CORP LOCATION	REMARKS
379 AVALON RD RESIDENTIAL	-	20 CU	5.83 SNL HSE	-	RECONNECT SERVICE
380 AVALON RD RESIDENTIAL	20 CU	20 CU	22.930>NNL SANDRALIN BAY	1.0 S OF S/C	RENEW TO R W/20 CU
381 AVALON RD RESIDENTIAL	-	20 CU	6.33 SNL HSE	-	RECONNECT SERVICE
384 AVALON RD RESIDENTIAL	20 CU	-	14.34 SNL HSE	9.5 N OF S/C	RENEW TO R W/20 CU
385 SANDRALIN BAY RESIDENTIAL	-	20 CU	5.30 SNL HSE	-	RECONNECT SERVICE
392 AVALON RD RESIDENTIAL	20 CU	-	7.98 SNL HSE	1.0 N OF S/C	RENEW TO R W/20 CU
394 AVALON RD RESIDENTIAL	-	20 CU	0.33>NNL HSE	-	OUTSIDE SCOPE WORK
395 AVALON RD RESIDENTIAL	20 CU	20 CU	8.630 SSL AVALON RD	2.0 S OF S/C	RECONNECT SERVICE
399 AVALON RD RESIDENTIAL	20 CU	20 CU	2.47 SNL HSE	-	OUTSIDE SCOPE WORK
			44.590 SSL SANDRALIN BAY		

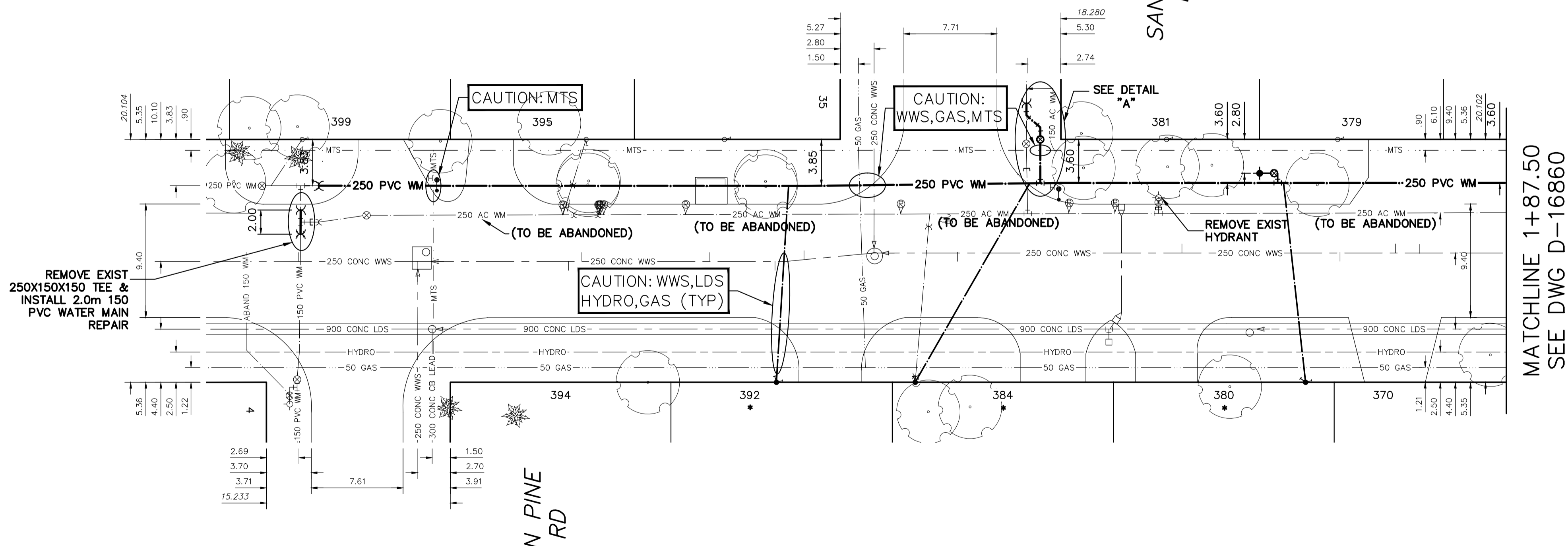
\* SERVICES TO BE RENEWED TO R. ALL OTHERS TO BE RECONNECTED

NOTE: CHAINAGES SHOWN ARE ALONG W. R. OF AVALON RD

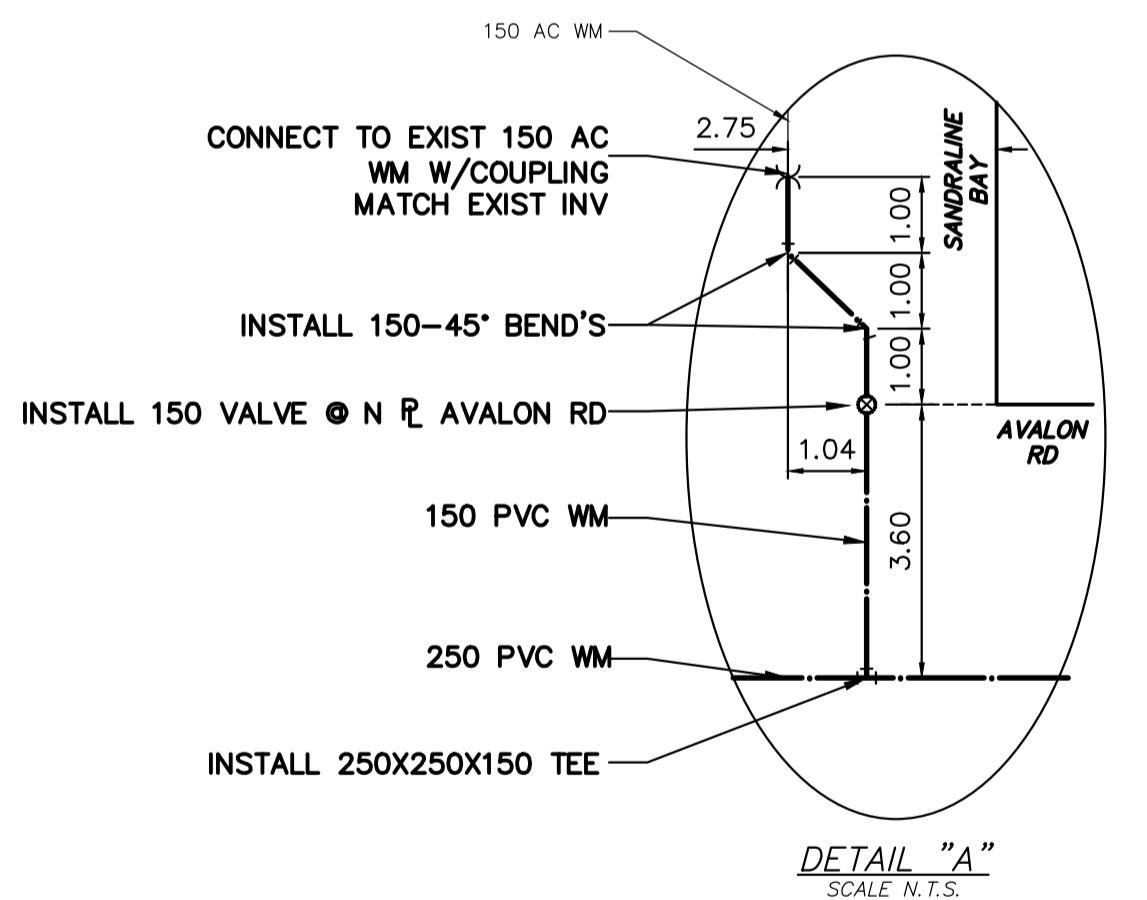
**AVALON ROAD**

**SANDRALIN BAY**

CONSTRUCTION NOTES:  
1. SANDRALIN BAY IS A DEAD-END WATER MAIN

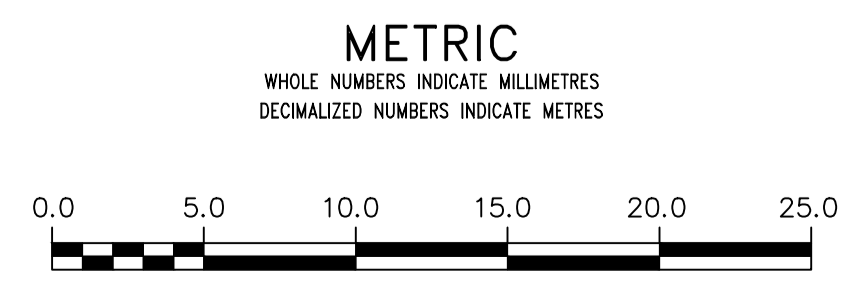


MATCHLINE 1+87.50  
SEE DWG D-16860



FOR INDEX SEE D-16858

NOTE: ALL VALVES TO BE INSTALLED CLOCKWISE TO CLOSE



LOCATION APPROVED UNDERGROUND STRUCTURES		DESIGNED BY: RG		CHECKED BY: SC	
SUPV. U/G STRUCTURES COMMITTEE	DATE	DRAWN BY: AJ	APPROVED BY: SC	RELEASED FOR CONSTRUCTION	DATE
NOTE: LOCATION OF UNDERGROUND STRUCTURES AS SHOWN ARE BASED ON THE BEST INFORMATION AVAILABLE BUT NO GUARANTEE IS GIVEN THAT ALL EXISTING UTILITIES ARE SHOWN OR THAT THE GIVEN LOCATIONS ARE EXACT. CONFIRMATION OF EXISTENCE AND EXACT LOCATION OF ALL SERVICES MUST BE OBTAINED FROM THE INDIVIDUAL UTILITIES BEFORE PROCEEDING WITH CONSTRUCTION.		SCALE: HORIZONTAL 1:250	VERTICAL 1:50	DATE: 2024 04 15	PLOT DATE: 2024 04 15
NO.	REVISIONS	DATE	BY		

VERTICAL DATUM: CGVD28 (HT2.0 Geoid)		HORIZONTAL DATUM: NAD83 (June 1980), Zone 14	
DESIGNED BY: RG	CHECKED BY: SC	DATE: 2024 04 15	
DRAWN BY: AJ	APPROVED BY: SC		
SCALE: HORIZONTAL 1:250	VERTICAL 1:50		
DATE: 2024 04 15	PLOT DATE: 2024 04 15		

ENGINEER'S SEAL  
PROVINCE OF MANITOBA  
S.R.J. COURNOYER  
Member 22699  
2024-04-24  
REGISTERED PROFESSIONAL ENGINEER  
Digitally signed by Stacy Cournoyer, P. Eng  
CONSULTANT DRAWING NUMBER

**THE CITY OF WINNIPEG**  
WATER AND WASTE DEPARTMENT  
ENGINEERING DIVISION

2024 WATER MAIN RENEWALS  
CONTRACT 3  
AVALON ROAD  
TWIN PINE ROAD TO  
87.5 N OF TWIN PINE ROAD

SHEET 3 OF 12  
CITY DRAWING NUMBER  
D-16859

FILE PATH: R:\DRAWINGS\WATER\RENEWAL\2024 RENEWALS\Cont 3\Construction Dwg's\AVALON RD.dwg