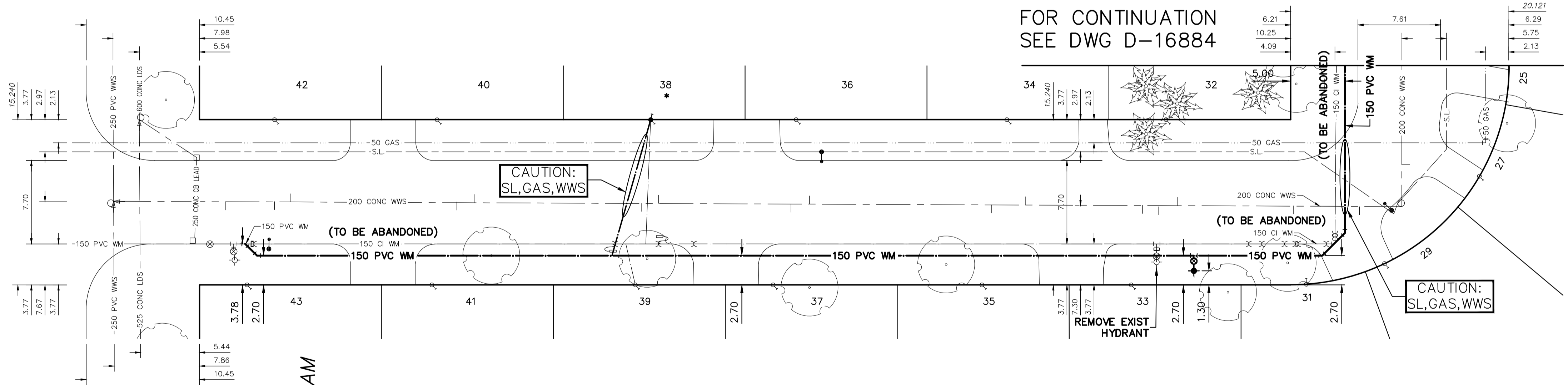


WATER SERVICE INFORMATION					
ADDRESS	SIZE (mm) MATERIAL (STREET)	SIZE (mm) MATERIAL (PROP.)	SHORT & LONG MEASUREMENT	CORP LOCATION	REMARKS
31 CRANBROOK BAY (E-LEG)	20	7.42 SNL HSE			RECONNECT SERVICE
RESIDENTIAL	CU	102.200>NNL COLDSTREAM AVE			
32 CRANBROOK BAY (E-LEG)	20	2.21 NSL HSE			RECONNECT SERVICE
RESIDENTIAL	CU	89.080>NNL COLDSTREAM AVE			
33 CRANBROOK BAY (E-LEG)	20	2.52 NSL HSE			RECONNECT SERVICE
RESIDENTIAL	CU	85.870>NNL COLDSTREAM AVE			
34 CRANBROOK BAY (E-LEG)	20	5.06 NSL HSE			RECONNECT SERVICE
RESIDENTIAL	CU	74.410>NNL COLDSTREAM AVE			
35 CRANBROOK BAY (E-LEG)	20	6.22 NSL HSE			RECONNECT SERVICE
RESIDENTIAL	CU	72.110>NNL COLDSTREAM AVE			
36 CRANBROOK BAY (E-LEG)	20	0.15 NSL HSE			RECONNECT SERVICE
RESIDENTIAL	CU	54.980>NNL COLDSTREAM AVE			
37 CRANBROOK BAY (E-LEG)	20	0.50 NSL HSE			RECONNECT SERVICE
RESIDENTIAL	CU	52.86>NNL COLDSTREAM AVE			
* 38 CRANBROOK BAY (E-LEG)	20	6.41 NSL HSE			RENEW TO R W/20 CU
RESIDENTIAL	CU	41.590>NNL COLDSTREAM AVE		3.6 S OF S/C	
39 CRANBROOK BAY (E-LEG)	20	20			RECONNECT SERVICE
RESIDENTIAL	CU	40.160>NNL COLDSTREAM AVE		0.9 S OF S/C	
40 CRANBROOK BAY (E-LEG)	20	2.14 NSL HSE			RECONNECT SERVICE
RESIDENTIAL	CU	21.890>NNL COLDSTREAM AVE			
41 CRANBROOK BAY (E-LEG)	20	1.03 NSL HSE			RECONNECT SERVICE
RESIDENTIAL	CU	21.410>NNL COLDSTREAM AVE			
42 CRANBROOK BAY (E-LEG)	20	2.47 NSL HSE			RECONNECT SERVICE
RESIDENTIAL	CU	6.910>NNL COLDSTREAM AVE			
43 CRANBROOK BAY (E-LEG)	20	1.48 NSL HSE			RECONNECT SERVICE
RESIDENTIAL	CU	4.380>NNL COLDSTREAM AVE			

* SERVICES TO BE RENEWED TO R. ALL OTHERS TO BE RECONNECTED

NOTE: CHAINAGES SHOWN ARE ALONG E. R. OF CRANBROOK BAY (E-LEG)

CRANBROOK BAY (E-LEG)



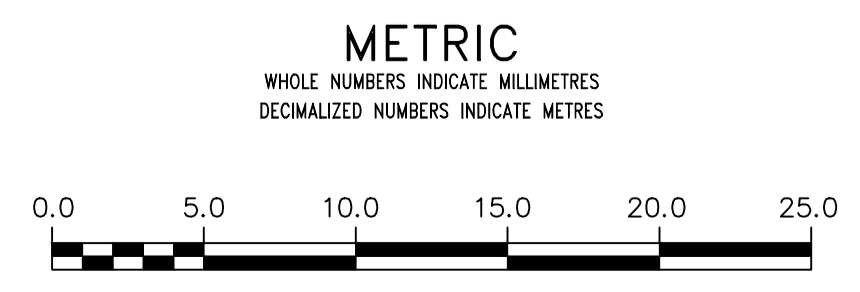
FOR CONTINUATION SEE DWG D-16884



CRANBROOK BAY (N-LEG)

FOR INDEX SEE D-16882

NOTE: ALL VALVES TO BE INSTALLED CLOCKWISE TO CLOSE



WARNING
IF POWER EQUIPMENT OR EXPLOSIVES ARE TO BE USED FOR EXCAVATION ON THIS PROJECT THE CONTRACTOR MUST:
1) NOTIFY THE GAS COMPANY OF THE PROPOSED LOCATION OF EXCAVATION.
2) TAKE PRECAUTION TO AVOID DAMAGE TO GAS COMPANY INSTALLATIONS.
SEE PROVINCIAL REGULATION 210/72 FOR DETAILS

LOCATION APPROVED
UNDERGROUND STRUCTURES
SUPV. U/G STRUCTURES COMMITTEE DATE
NOTE:
LOCATION OF UNDERGROUND STRUCTURES AS SHOWN ARE BASED ON THE BEST INFORMATION AVAILABLE BUT NO GUARANTEE IS GIVEN THAT ALL EXISTING UTILITIES ARE SHOWN OR THAT THE GIVEN LOCATIONS ARE EXACT. CONFIRMATION OF EXISTENCE AND EXACT LOCATION OF ALL SERVICES MUST BE OBTAINED FROM THE INDIVIDUAL UTILITIES BEFORE PROCEEDING WITH CONSTRUCTION.

VERTICAL DATUM: CGVD28 (HT2.0 Geoid)			
HORIZONTAL DATUM: NAD83 (June 1990), Zone 14			
NO.	REVISIONS	DATE	BY

DESIGNED BY	RG	CHECKED BY	SC
DRAWN BY	AJ	APPROVED BY	SC
SCALE:		RELEASED FOR CONSTRUCTION	
HORIZONTAL	1:250		
VERTICAL	1:50		
DATE	2024 03 05	DATE	
PLOT DATE:	2024 03 05		

ENGINEER'S SEAL
PROVINCE OF MANITOBA
S.R.J. COURNOYER
Member 22699
2024-03-15
REGISTERED PROFESSIONAL ENGINEER
Digitally signed by Stacy Cournoyer, P. Eng
CONSULTANT DRAWING NUMBER

THE CITY OF WINNIPEG
WATER AND WASTE DEPARTMENT
ENGINEERING DIVISION
2024 WATER MAIN RENEWALS
CONTRACT 10
CRANBROOK BAY (E-LEG)
COLDSTREAM AVENUE TO
CRANBROOK BAY (N-LEG)

SHEET 5 OF 8
CITY DRAWING NUMBER
D-16885

BID OPPORTUNITY: 67-2024
CONTRACT NUMBER: 10
FILE PATH: R:\DRAWINGS\WATER\RENEWAL\2024 RENEWALS\Cont 10\Construction Dwg\ CRANBROOK BAY.dwg