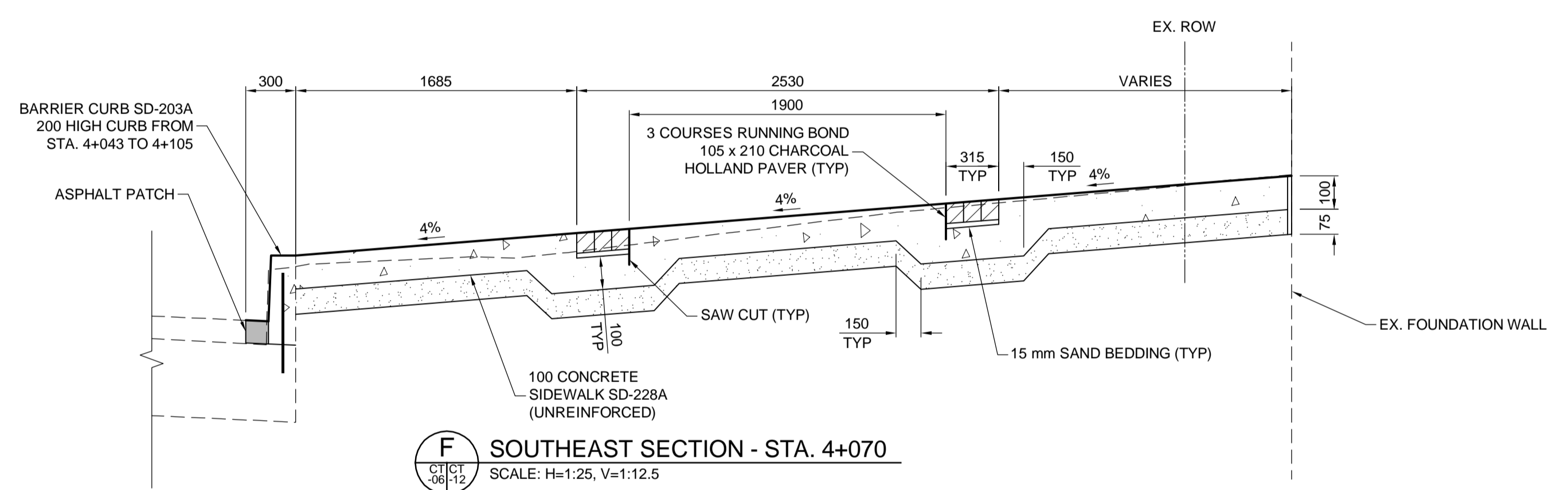
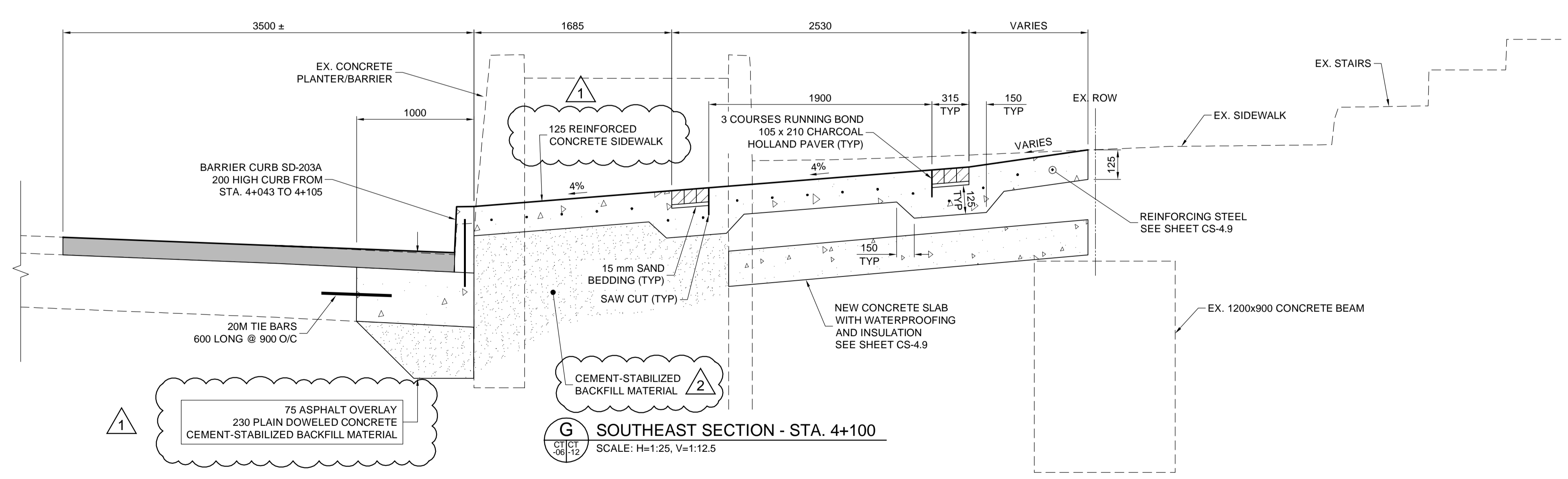


D SOUTHWEST SECTION - STA. 3+050
SCALE: H=1:25, V=1:12.5

E SOUTHWEST SECTION - STA. 3+120
SCALE: H=1:25, V=1:12.5



F SOUTHEAST SECTION - STA. 4+070
SCALE: H=1:25, V=1:12.5



G SOUTHEAST SECTION - STA. 4+100
SCALE: H=1:25, V=1:12.5

DRAFT
NOT FOR CONSTRUCTION

150 WM	WATERMAIN	150 WM	CONCRETE ROAD	PROFILE	UNDERGROUND STRUCTURES
300 LDS	LAND DRAINAGE SEWER	300 LDS	ASPHALT ROAD	NORTH/WEST GUTTER	B.M. ELEV.
250 WWS	WASTE WATER SEWER	250 WWS	CONC ROAD W/ASP OVERLAY	SOUTH/EAST GUTTER	DESIGNED BY TJH/MRD
HYDRO	HYDRO	HYDRO	CONCRETE SIDEWALK	NORTH/WEST MED. GUTTER	DRAWN BY TJH
BELLMTS	BELLMTS	BELLMTS	ASPHALT PATH	SOUTH/EAST MED. GUTTER	CHECKED BY MRD
100 GAS	GAS	100 GAS	LANDSCAPING FEATURE	NORTH/WEST DITCH	APPROVED BY DBW
T.S.	TRAFFIC SIGNALS	T.S.	GRASS/SOD	SOUTH/EAST DITCH	HOR. SCALE AS NOTED
S.L.	STREET LIGHTS	S.L.	ELEVATION (232.000)	NORTH/WEST SIDEWALK	VERTICAL -
MANHOLE	MANHOLE	MANHOLE	PROPERTY LINE	SOUTH/EAST SIDEWALK	RELEASED FOR CONSTRUCTION
CATCH BASIN	CATCH BASIN	CATCH BASIN	CURB RAMP	LEGEND-PROFILE	CONSULTANT PROJECT NUMBER 24-8133
CATCH PIT	CATCH PIT	CATCH PIT	DETECTABLE TILE	LEGEND-PLAN	DATE
EXISTING	LEGEND-PLAN	PROPOSED	EXISTING	LEGEND-PROFILE	DATE

NO.	REVISIONS	DATE	BY
2	ISSUED FOR ADDENDUM 02	24/10/09	DBW
1	ISSUED FOR ADDENDUM 01	24/09/27	DBW
0	ISSUED FOR TENDER	24/09/09	DBW

DESIGNED BY	TJH/MRD
DRAWN BY	TJH
CHECKED BY	MRD
APPROVED BY	DBW
HOR. SCALE	AS NOTED
VERTICAL	-
DATE	

DILLON CONSULTING

RELEASED FOR CONSTRUCTION

ENGINEER'S SEAL

CONSULTANT PROJECT NUMBER
24-8133

THE CITY OF WINNIPEG
PUBLIC WORKS DEPARTMENT

PORTAGE & MAIN PEDESTRIAN OPENING

SECTION (2 OF 2)

CITY DRAWING NUMBER
SHEET **CT-12** OF **21**
CONSULTANT DRAWING NUMBER

C:\pwworking\directory\projects\2024\dillon_400\h\dms\6444\248133-CT-CON-DETAILS.dwg