

APPENDIX 'E'

BOLLARDS – MAGLIN CUT MBO-1600-00001 AND MBO-1600-00002

1600 SERIES

MBO-1600-00001

Legacy # SCTB1600-AL-B1



MATERIALS: The bollard is made with extruded aluminum. Decorative top and base are cast aluminum. Trim is powder-coated aluminum.

FINISH: The Maglin Powdercoat System provides a durable finish on all metal surfaces.

INSTALLATION: Base Type - B1 bollard is supplied with additional 18" of tubing to be set in concrete. Bollard is permanently fixed in place.

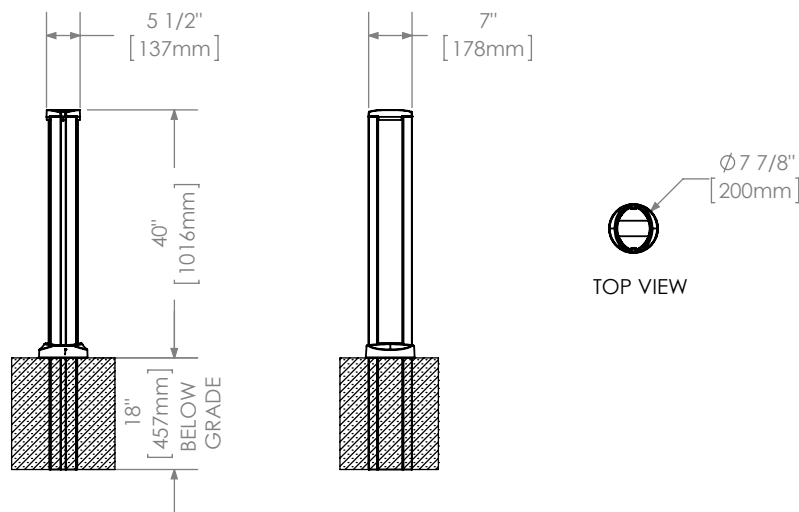
TO SPECIFY: Select MBO-1600-00001
Choose:
- Powdercoat Color

HEIGHT: 40" (101.6cm)

WIDTH: 7" (17.8cm)

RADIUS: 7.9" (20.0cm)

WEIGHT: 54.92lbs (24.9kg)

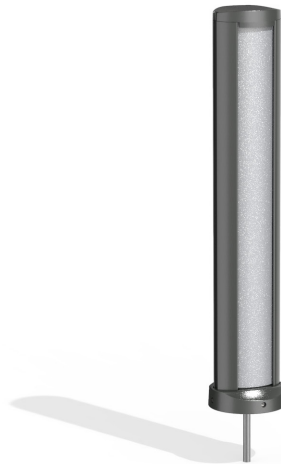


T 800 716 5506
F 877 260 9393
www.maglin.com
sales@maglin.com

- All drawings, specifications, design and details on this page remain the property of Maglin Site Furniture Inc. and may not be used without Maglin authorization.
- Details and specifications may vary due to continuing improvements of our products.

MBO-1600-00002

Legacy # SCTB1600-AL-B2



MATERIALS: The bollard is made with extruded aluminum. Decorative top and base are cast aluminum. Trim is powder-coated aluminum.

FINISH: The Maglin Powdercoat System provides a durable finish on all metal surfaces.

INSTALLATION: Base Type – B2, Threaded rod is set into concrete. Base mount threaded onto rod. Bollard is screwed onto mount with 4 screws and tightened.

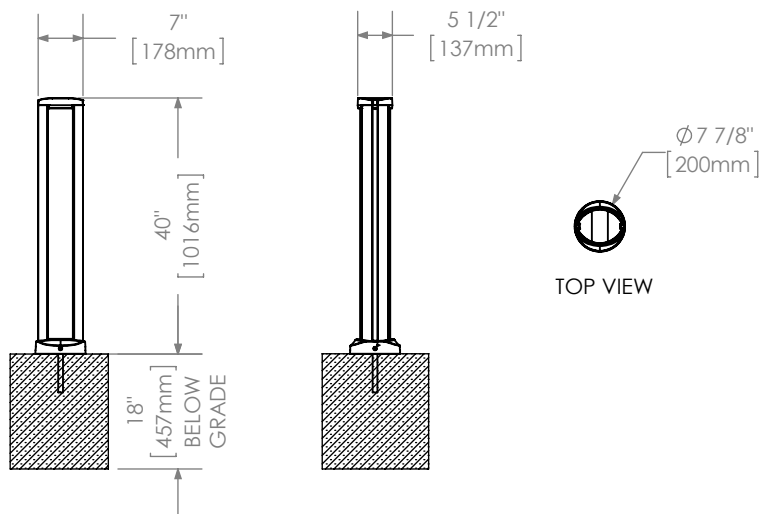
TO SPECIFY: Select MBO-1600-00002
Choose:
- Powdercoat Color

HEIGHT: 40" (101.6cm)

WIDTH: 7" (17.8cm)

RADIUS: 7.9" (20.0cm)

WEIGHT: 40.76lbs (18.5kg)



T 800 716 5506
F 877 260 9393
www.maglin.com
sales@maglin.com

- All drawings, specifications, design and details on this page remain the property of Maglin Site Furniture Inc. and may not be used without Maglin authorization.
- Details and specifications may vary due to continuing improvements of our products.