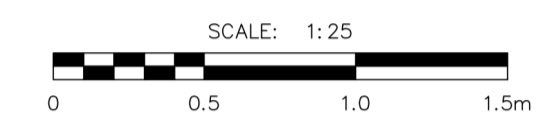
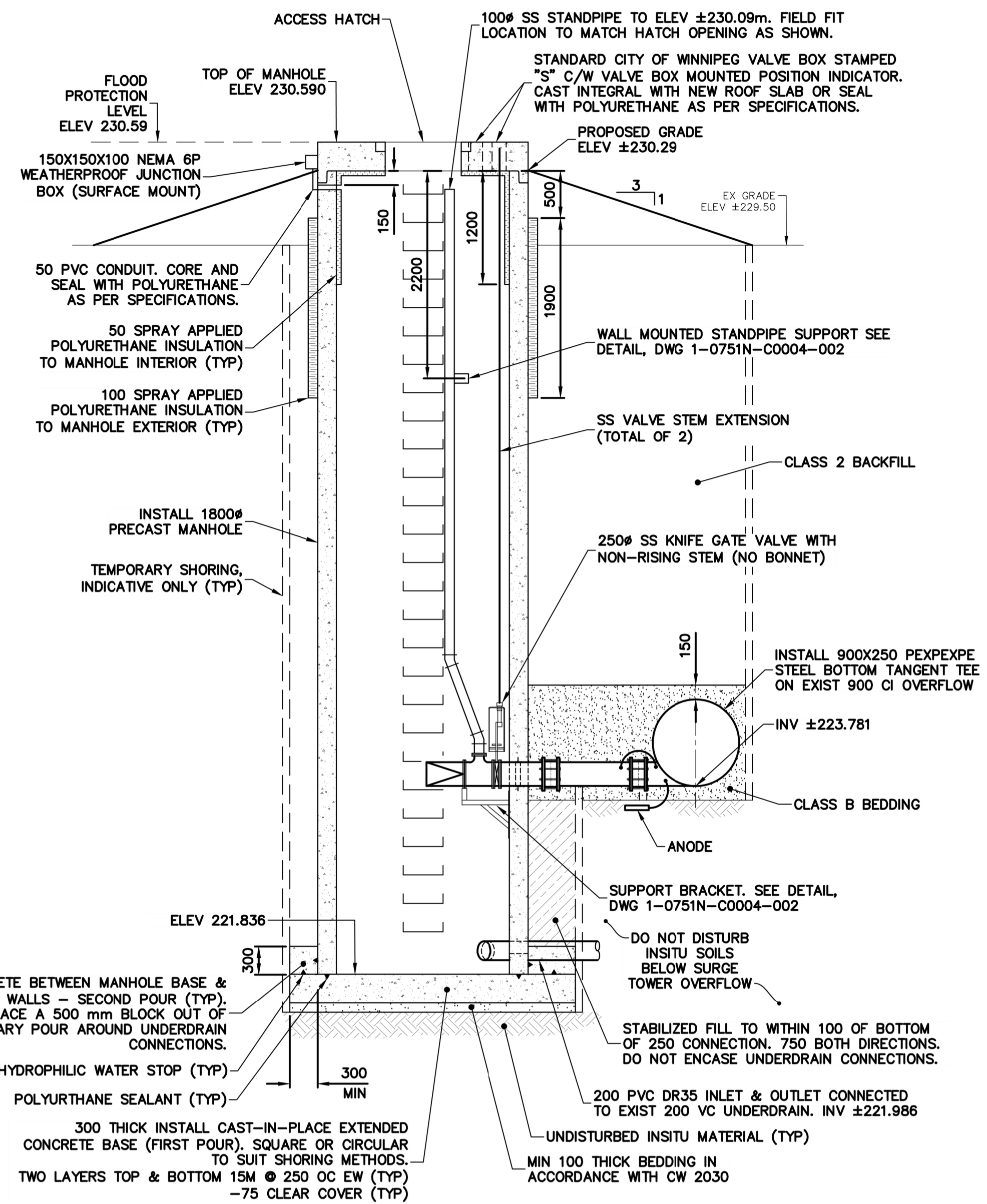


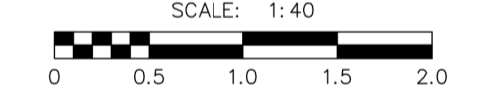
PLAN @ EL 223.78m - NEW MANHOLE



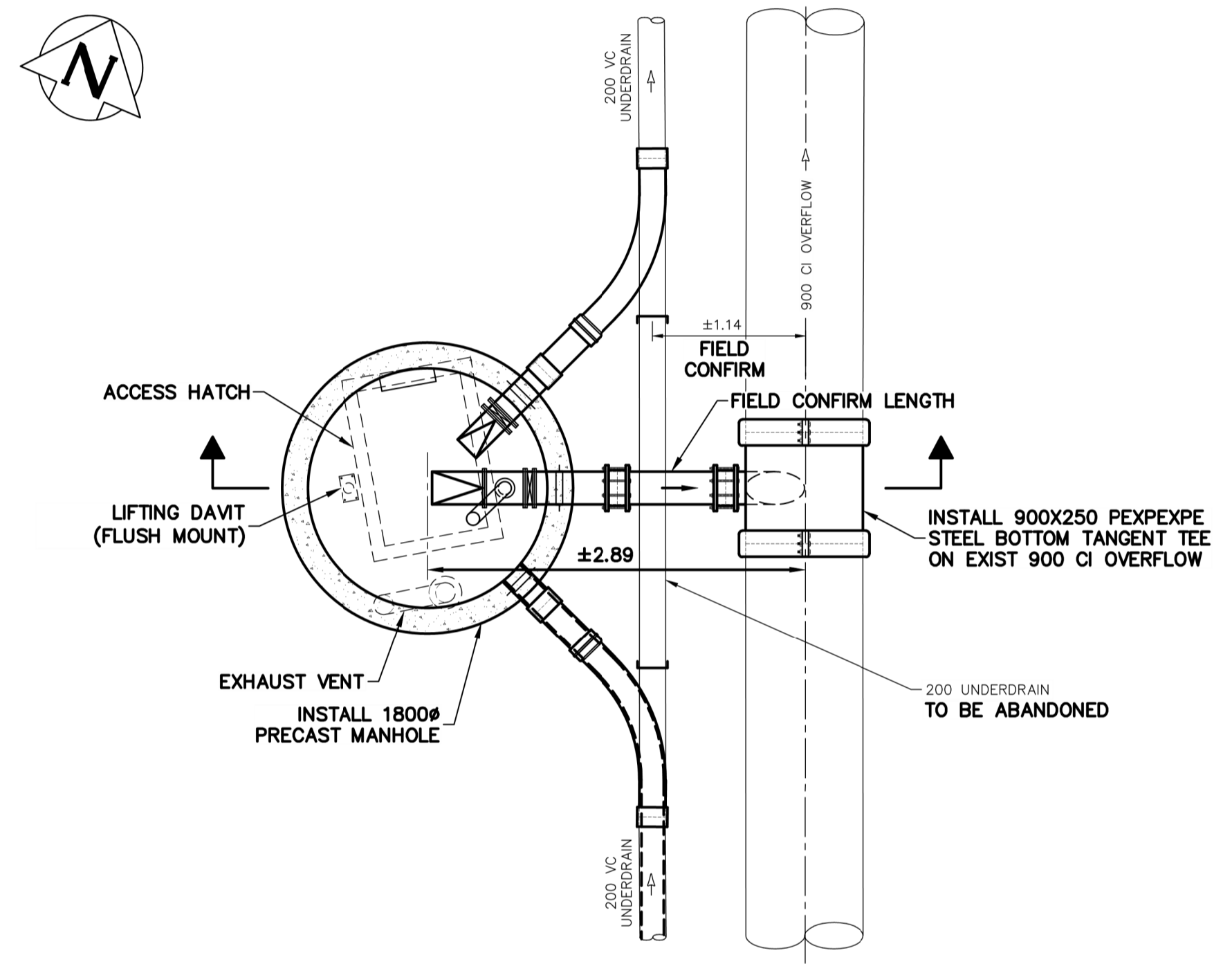
- NOTES:**
- SUPPLY 1.60m LENGTH 900X250 BOTTOM TANGENT TEE AND CUT TO LENGTH ON SITE. REVIEW SURGE TOWER 900 CI OVERFLOW CUT LOCATIONS WITH CONTRACT ADMINISTRATOR PRIOR TO CUTTING COMPONENTS TO SUIT.
 - CONNECT TEE TO 900 CI OVERFLOW WITH AWWA C227 BOLTED SPLIT SLEEVE COUPLING. 900 TEE TO BE MANUFACTURED TO O.D. OUTSIDE DIAMETER TO MATCH EXISTING CI OVERFLOW.



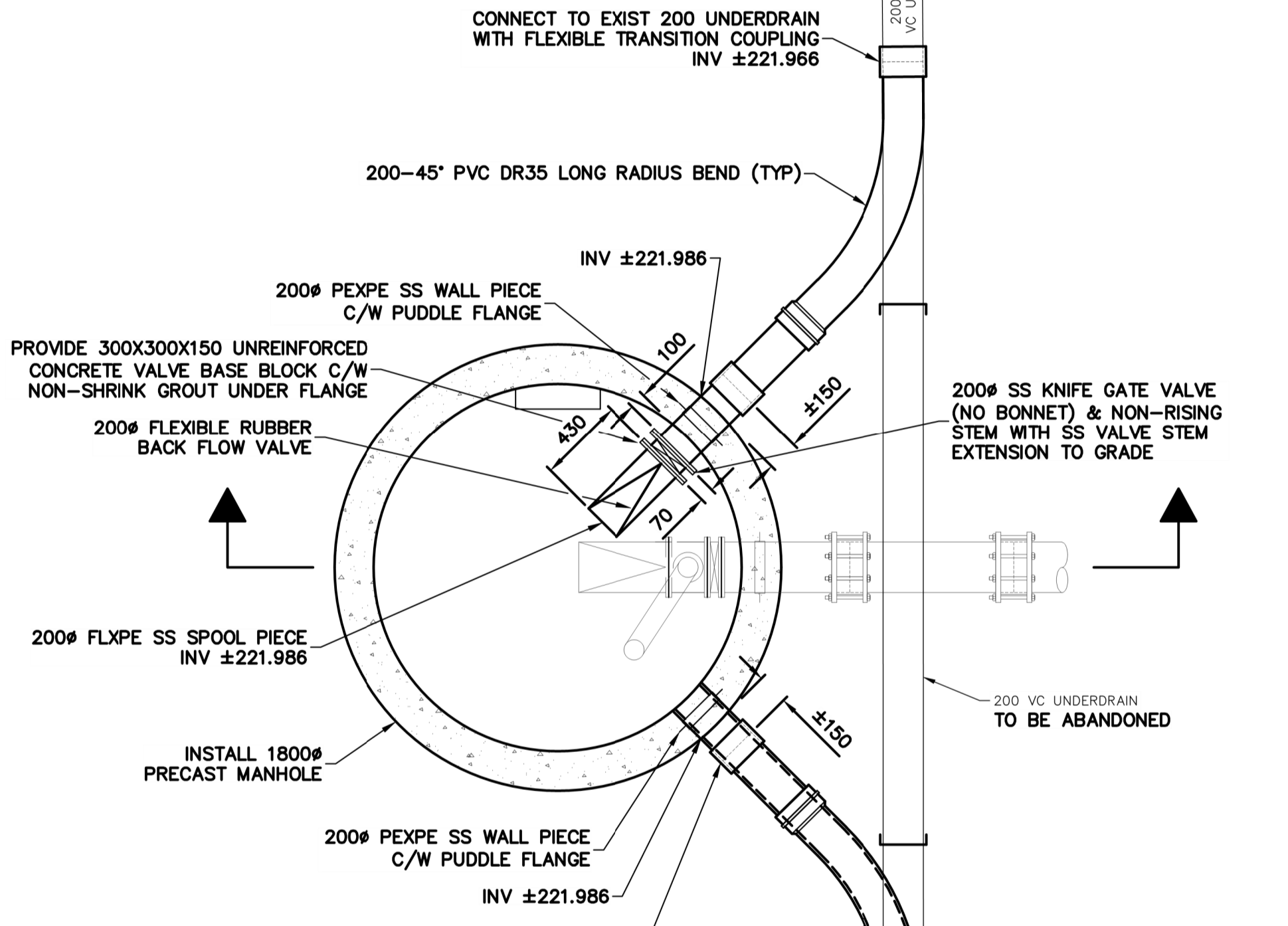
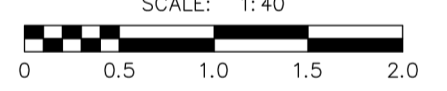
SECTION - NEW MANHOLE



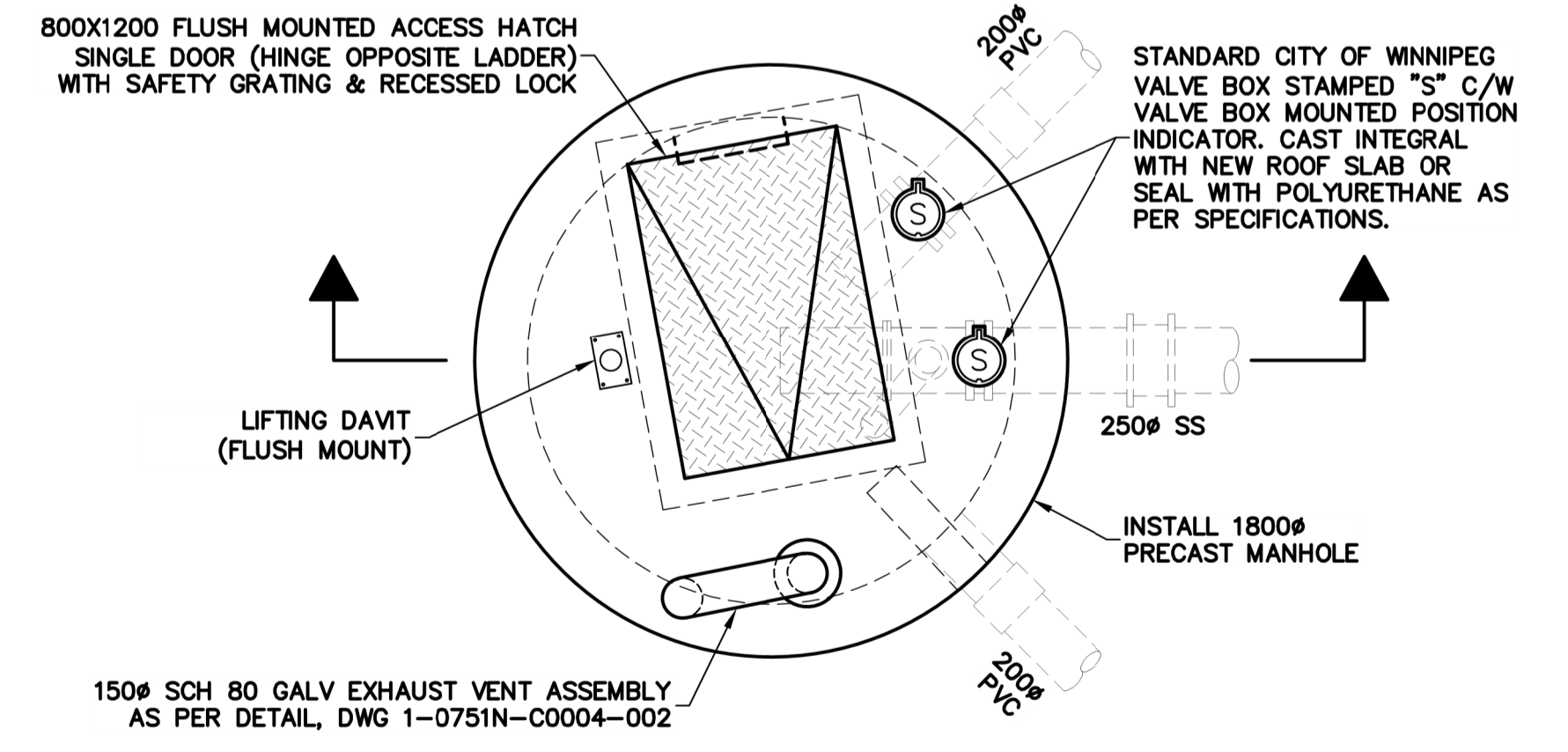
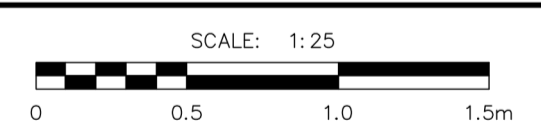
- CONSTRUCTION NOTES:**
- ELEVATION OF THE UNDERDRAIN IS LOWER THAN NORMAL RED RIVER WINTER WATER LEVELS. CONTRACTOR TO PLUG THE UNDERDRAIN TO FACILITATE WORK UTILIZING METHODS INCLUDING, BUT NOT LIMITED TO FREEZING OR PLUGGING FROM THE RIVER WITH DIVERS. INVESTIGATION HAS CONFIRMED THE UNDERDRAIN IS OPEN TO THE RIVER.
 - THE CONTRACTOR MUST BYPASS PUMP ANY FLOWS IN THE UNDERDRAIN DURING THE COURSE OF CONSTRUCTION.
 - ALL PIPE PENETRATIONS OF THE MANHOLE WALL TO PRECAST OR REPAIRED IN ACCORDANCE WITH SPECIFIED CONCRETE REPAIR PROCEDURES.



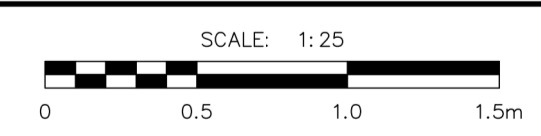
PLAN - NEW MANHOLE



PLAN @ EL 221.98m - NEW MANHOLE



ROOF PLAN @ EL 230.59m - NEW MANHOLE



METRIC
WHOLE NUMBERS INDICATE MILLIMETRES
DECIMALIZED NUMBERS INDICATE METRES
UNLESS OTHERWISE NOTED

LOCATION APPROVED UNDERGROUND STRUCTURES		VERTICAL DATUM: CGVD28 (HT2.0 Geoid)	
SHPV. U/G STRUCTURES COMMITTEE		HORIZONTAL DATUM: NAD83 (June 1990), Zone 14	
DATE		DESIGNED BY	BK
		CHECKED BY	JF
		DRAWN BY	DML
		APPROVED BY	ADB
		SCALE:	
		HORIZONTAL	
		VERTICAL	
0	ISSUED FOR CONSTRUCTION	2024/09/23	ADB
NO.	REVISIONS	YYYY/MM/DD	BY

Stantec

DESIGNED BY: BK
CHECKED BY: JF
DRAWN BY: DML
APPROVED BY: ADB
SCALE: HORIZONTAL
VERTICAL
RELEASED FOR CONSTRUCTION
JESSICA McCOMBE, P. Eng.
DATE: SEPTEMBER 23, 2024
DATE: SEPTEMBER 23, 2024
PLOT DATE: 2024 09 23

ENGINEER'S SEAL

PROVINCE OF MANITOBA
REGISTERED PROFESSIONAL ENGINEER
A. D. BRAUN
Member 24453
2024-09-23
CONSULTANT DRAWING NUMBER

THE CITY OF WINNIPEG
WATER AND WASTE DEPARTMENT
ENGINEERING SERVICES DIVISION

BRANCH I AQUEDUCT
UNDERDRAIN OUTFALL REPAIRS
BRANCH I AQUEDUCT
AVENUE TACHE UNDERDRAIN OUTFALL
DETAILS I

SHEET 6 OF 17
CITY DRAWING NUMBER
1-0751N-C0004-001

FOR INDEX SEE DWG
1-0751A-D0007-001