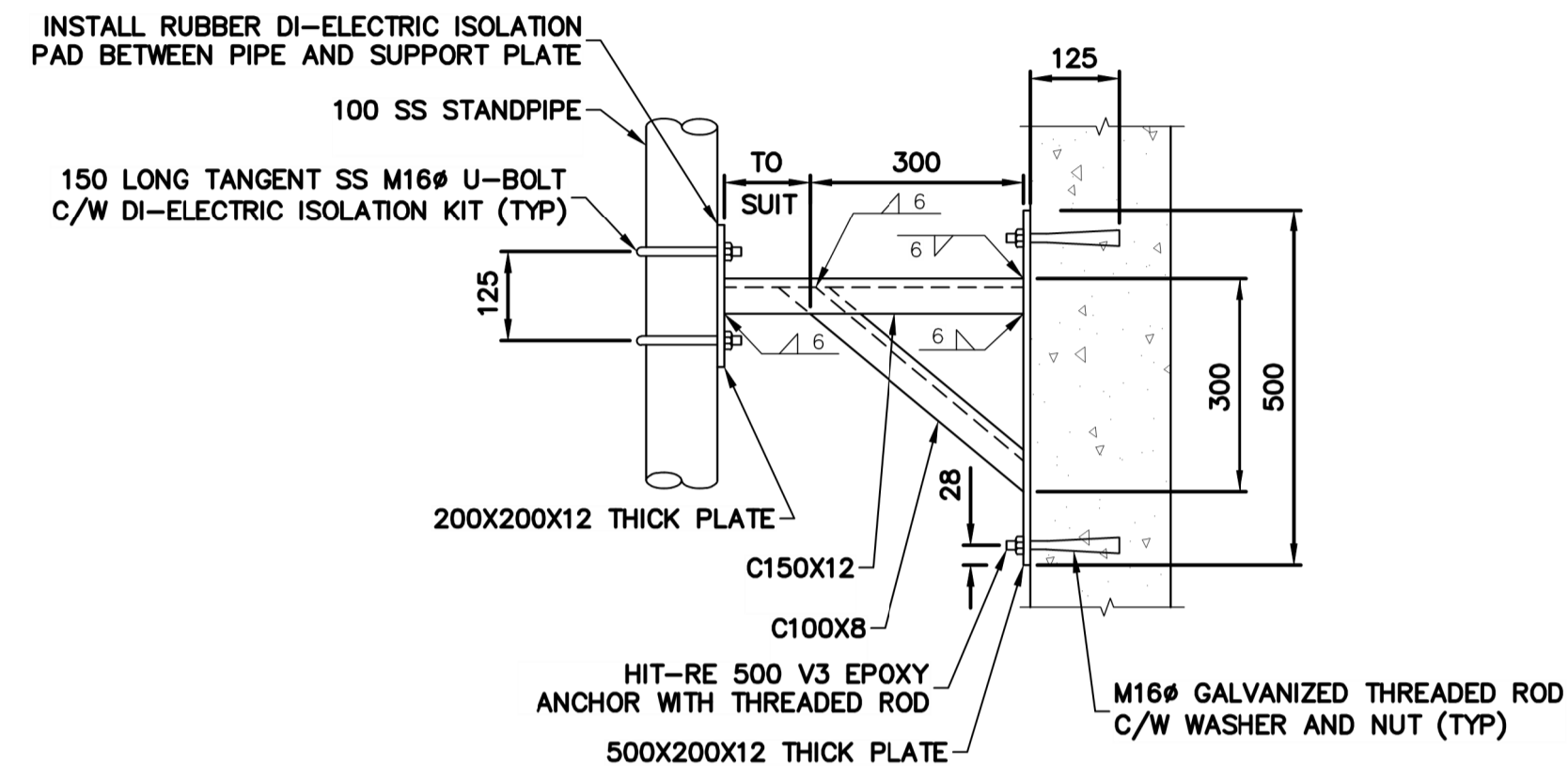
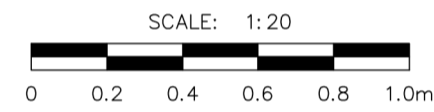


NOTE:
ALL HARDWARE TO BE GALVANIZED

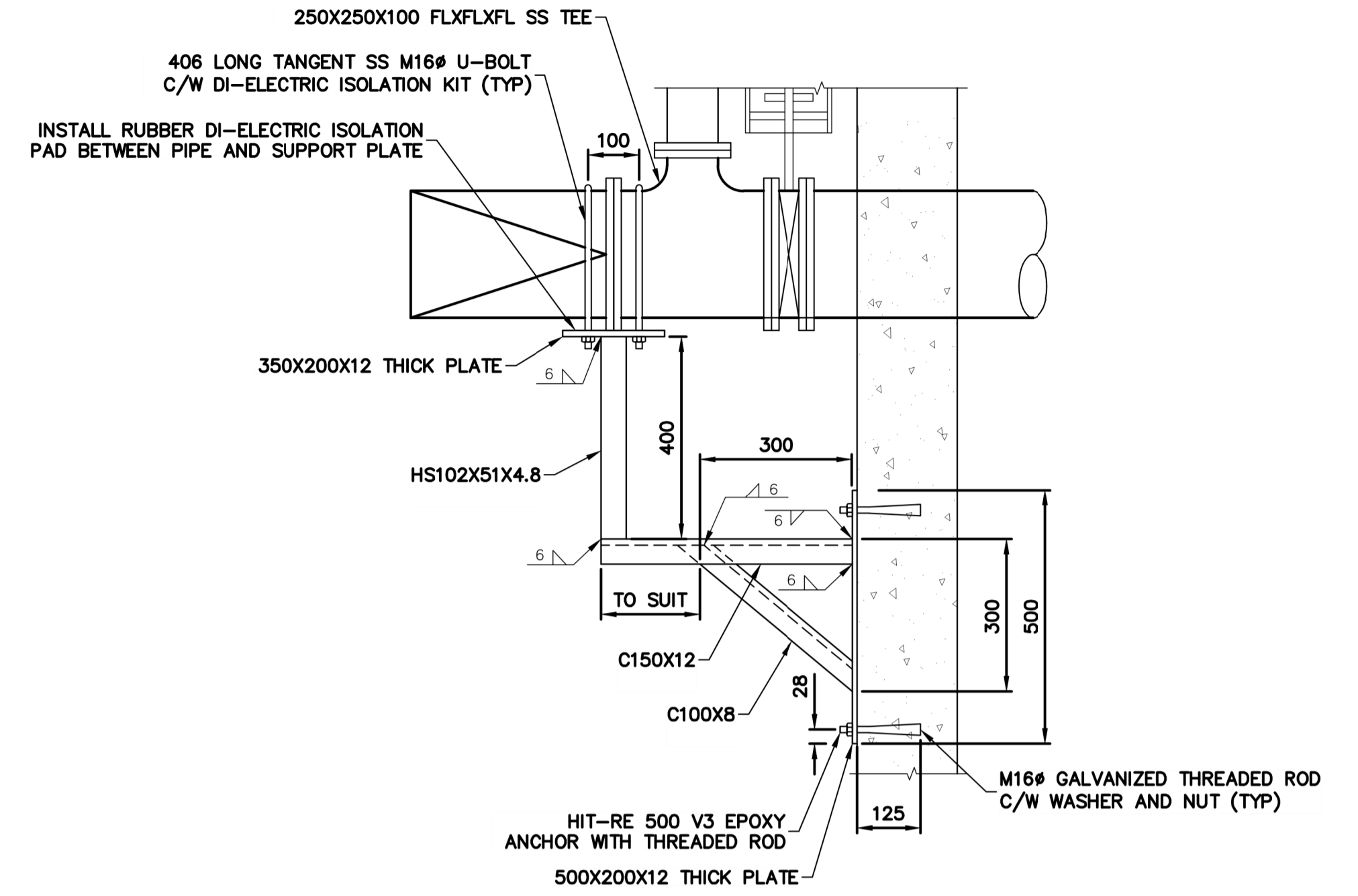
DETAIL - VENT PIPE



NOTE:
ALL STEEL COMPONENTS TO BE GALVANIZED

DETAIL - WALL MOUNTED STANDPIPE SUPPORT

SCALE: NTS



NOTE:
ALL STEEL COMPONENTS TO BE GALVANIZED

DETAIL - WALL MOUNTED VALVE/TEE SUPPORT

SCALE: NTS

FOR INDEX SEE DWG
1-0751A-D0007-001



METRIC
WHOLE NUMBERS INDICATE MILLIMETRES
DECIMALIZED NUMBERS INDICATE METRES
UNLESS OTHERWISE NOTED

LOCATION APPROVED UNDERGROUND STRUCTURES	
SUPV. U/G STRUCTURES COMMITTEE	DATE
NOTE: LOCATION OF UNDERGROUND STRUCTURES AS SHOWN ARE BASED ON THE BEST INFORMATION AVAILABLE BUT NO GUARANTEE IS GIVEN THAT ALL EXISTING UTILITIES ARE SHOWN OR THAT THE GIVEN LOCATIONS ARE EXACT. CONFIRMATION OF EXISTENCE AND EXACT LOCATION OF ALL SERVICES MUST BE OBTAINED FROM THE INDIVIDUAL UTILITIES BEFORE PROCEEDING WITH CONSTRUCTION.	

VERTICAL DATUM: CGVD28 (HT2.0 Geoid)			
HORIZONTAL DATUM: NAD83 (June 1990), Zone 14			
NO.	ISSUED FOR CONSTRUCTION	2024/09/23	ADB
NO.	REVISIONS	YYYY/MM/DD	BY

DESIGNED BY	BK	CHECKED BY	JF
DRAWN BY	DML	APPROVED BY	ADB
SCALE:	HORIZONTAL	RELEASED FOR CONSTRUCTION	JESSICA McCOMBE, P. Eng.
SCALE:	VERTICAL	DATE	SEPTEMBER 23, 2024

ENGINEER'S SEAL

CONSULTANT DRAWING NUMBER

THE CITY OF WINNIPEG
WATER AND WASTE DEPARTMENT
ENGINEERING SERVICES DIVISION

BRANCH I AQUEDUCT
UNDERDRAIN OUTFALL REPAIRS
BRANCH I AQUEDUCT
AVENUE TACHE UNDERDRAIN OUTFALL
DETAILS II

SHEET 7 OF 17
CITY DRAWING NUMBER
1-0751N-C0004-002