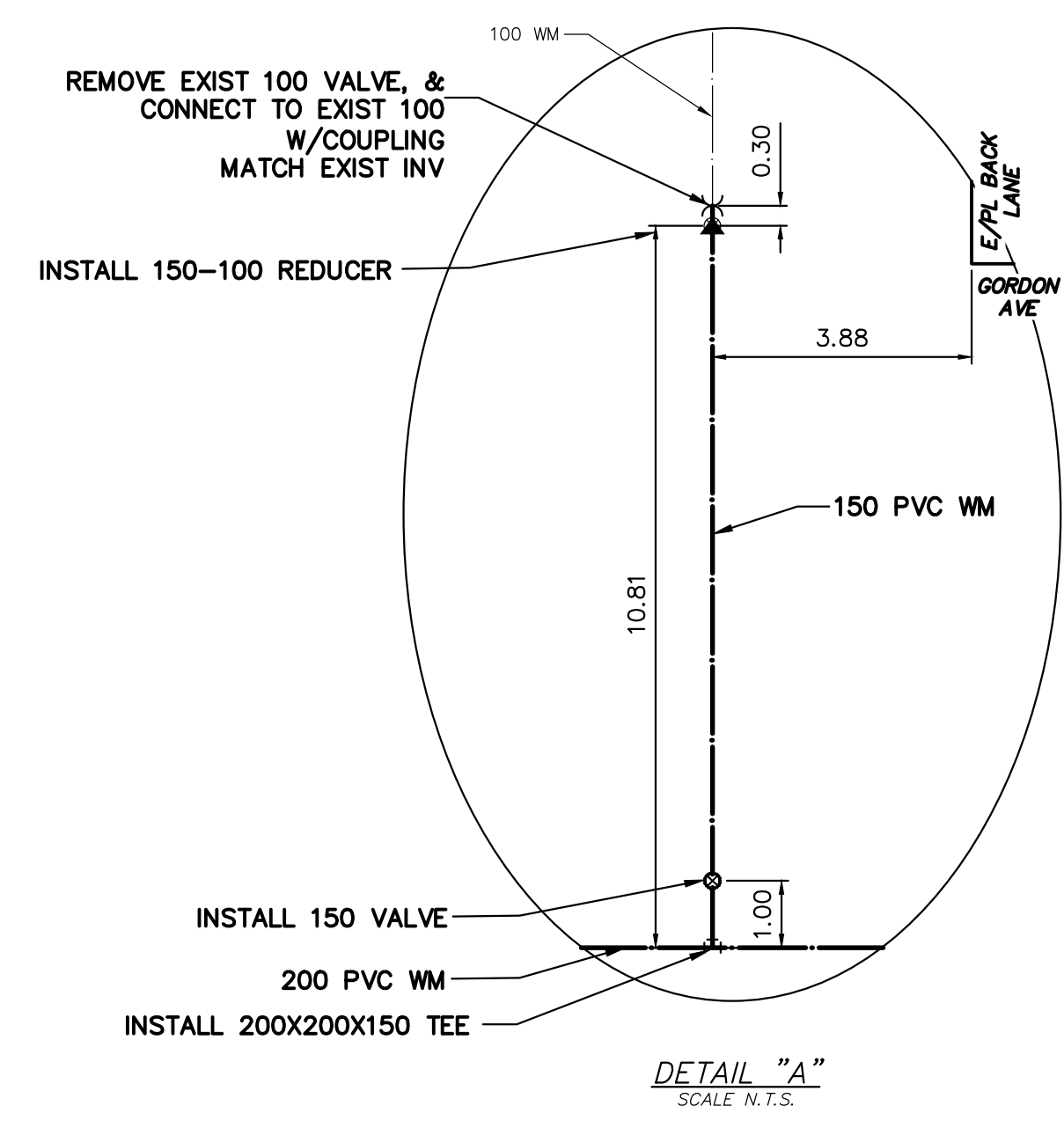


NOTE: CHAINAGES SHOWN ARE ALONG M P L OF GORDON AVENUE

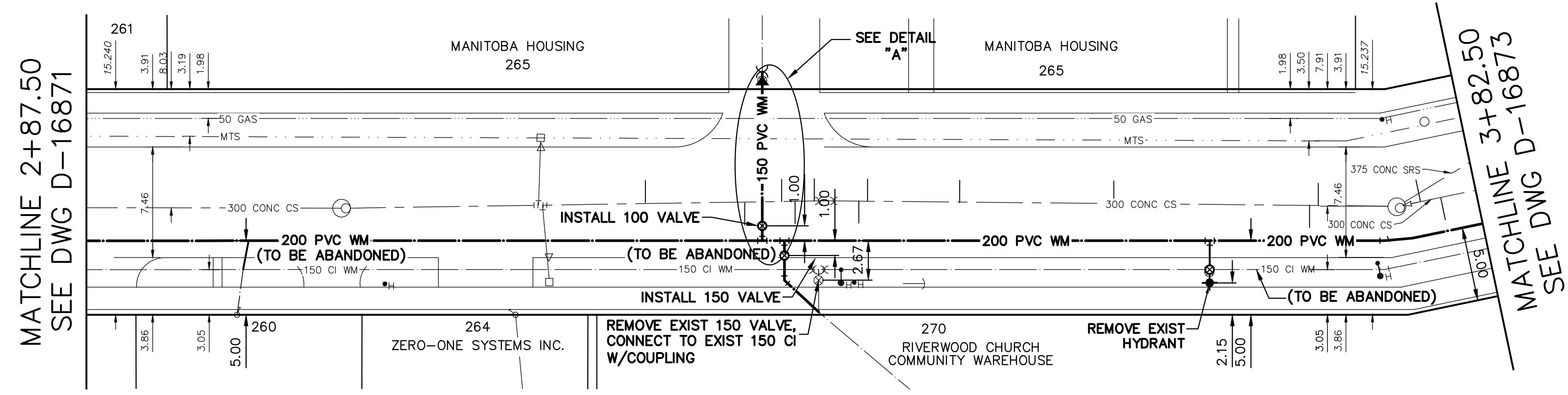
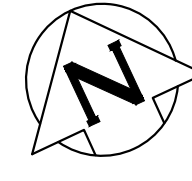


WATER SERVICE INFORMATION

ADDRESS	MATERIAL (STREET)	SIZE (mm) (PROP.)	SIZE (mm)	SHORT & LONG MEASUREMENT	LINEAR DISTANCE CORP LOCATION	REMARKS
260 GORDON AVE	CU	20	12	5.04 WEL HSE	0.4 E OF S/C	RECONNECT SERVICE
RESIDENTIAL	-	-	-	116.45 EEL BACK LANE #2	-	RECONNECT SERVICE
264 GORDON AVE	-	-	-	4.39 WEL HSE	-	RECONNECT SERVICE
RESIDENTIAL	-	-	-	135.220 EEL BACK LANE #2	-	RECONNECT SERVICE
265 GORDON AVE	-	-	100	10.53 EEL HSE	-	RECONNECT SERVICE
COMMERCIAL	CI	-	-	61.650 EEL BACK LANE #1	-	RECONNECT SERVICE
270 GORDON AVE	150	150	-	6.96 WWL HSE	OPP OF S/C	RECONNECT SERVICE
COMMERCIAL	PVC	PVC	-	155.670 EEL BACK LANE #1	-	RECONNECT SERVICE

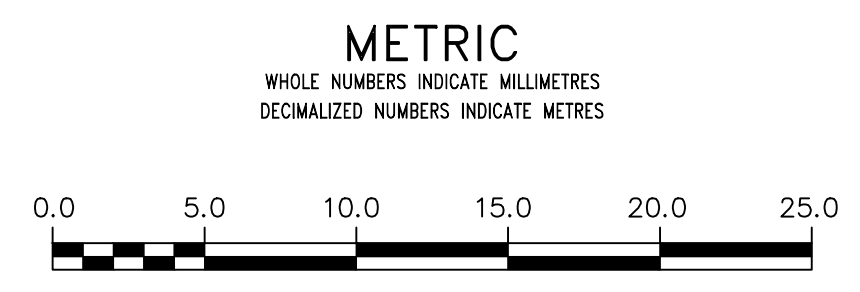
* SERVICES TO BE RENEWED TO P. ALL OTHERS TO BE RECONNECTED

GORDON AVENUE



FOR INDEX SEE D-16868

NOTE: ALL VALVES TO BE INSTALLED COUNTERCLOCKWISE TO CLOSE



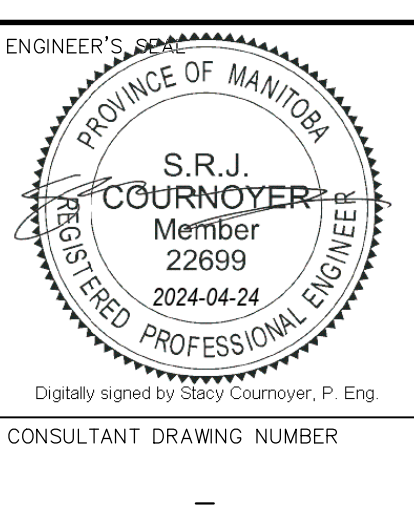
WARNING
 IF POWER EQUIPMENT OR EXPLOSIVES ARE TO BE USED FOR EXCAVATION ON THIS PROJECT THE CONTRACTOR MUST:
 1) NOTIFY THE GAS COMPANY OF THE PROPOSED LOCATION OF EXCAVATION.
 2) TAKE PRECAUTION TO AVOID DAMAGE TO GAS COMPANY INSTALLATIONS.
 SEE PROVINCIAL REGULATION 210/72 FOR DETAILS

LOCATION APPROVED
 UNDERGROUND STRUCTURES
 SUPV. U/G STRUCTURES COMMITTEE DATE
 NOTE:
 LOCATION OF UNDERGROUND STRUCTURES AS SHOWN ARE BASED ON THE BEST INFORMATION AVAILABLE BUT NO GUARANTEE IS GIVEN THAT ALL EXISTING UTILITIES ARE SHOWN OR THAT THE GIVEN LOCATIONS ARE EXACT. CONFIRMATION OF EXISTENCE AND EXACT LOCATION OF ALL SERVICES MUST BE OBTAINED FROM THE INDIVIDUAL UTILITIES BEFORE PROCEEDING WITH CONSTRUCTION.

VERTICAL DATUM: CGVD28 (HT2.0 Geoid)
 HORIZONTAL DATUM: NAD83 (June 1990), Zone 14

NO.	REVISIONS	DATE	BY

DESIGNED BY	JB	CHECKED BY	SC
DRAWN BY	AOM	APPROVED BY	SC
SCALE:			
HORIZONTAL	1:250		
VERTICAL	1:50		
DATE	2024 04 09		
PLOT DATE:	2024 04 09		



THE CITY OF WINNIPEG
 WATER AND WASTE DEPARTMENT
 ENGINEERING DIVISION

2024 WATER MAIN RENEWALS
 CONTRACT #5
 GORDON AVENUE
 187.5 E OF BRAZIER STREET TO
 282.5 E OF BRAZIER STREET STREET

SHEET 5 OF 13
 CITY DRAWING NUMBER
 D-16872