

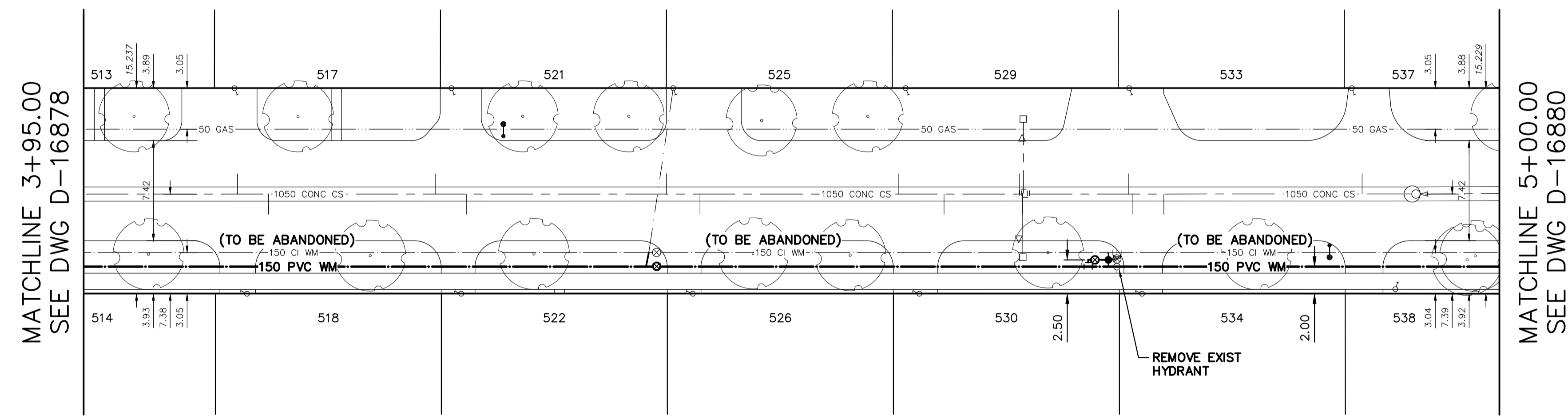
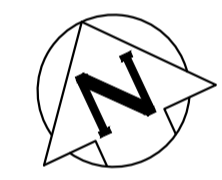
WATER SERVICE INFORMATION

ADDRESS	SIZE (mm) MATERIAL (STREET)	SIZE (mm) MATERIAL (PROP.)	SHORT & LONG MEASUREMENT	LINEAR DISTANCE CORP LOCATION	REMARKS
517 KINGSFORD AVENUE RESIDENTIAL	20 CU	20 CU	2.65 WWL HSE 306.198 EEL DeFEHR STREET	-	RECONNECT SERVICE
518 KINGSFORD AVENUE RESIDENTIAL	20 CU	20 CU	1.74 WWL HSE 307.134 EEL DeFEHR STREET	-	RECONNECT SERVICE
521 KINGSFORD AVENUE RESIDENTIAL	20 CU	20 CU	2.12 WWL HSE 322.291 EEL DeFEHR STREET	-	RECONNECT SERVICE
522 KINGSFORD AVENUE RESIDENTIAL	20 CU	20 CU	2.60 WWL HSE 323.025 EEL DeFEHR STREET	-	RECONNECT SERVICE
525 KINGSFORD AVENUE RESIDENTIAL	20 CU	20 CU	3.25 WWL HSE 338.731 EEL DeFEHR STREET	1.8 W OF S/C	RECONNECT SERVICE
526 KINGSFORD AVENUE RESIDENTIAL	20 CU	20 CU	1.10 WWL HSE 340.204 EEL DeFEHR STREET	-	RECONNECT SERVICE
529 KINGSFORD AVENUE RESIDENTIAL	20 CU	20 CU	0.70 WWL HSE 355.975 EEL DeFEHR STREET	-	RECONNECT SERVICE
530 KINGSFORD AVENUE RESIDENTIAL	20 CU	20 CU	1.90 WWL HSE 356.994 EEL DeFEHR STREET	-	RECONNECT SERVICE
533 KINGSFORD AVENUE RESIDENTIAL	20 CU	20 CU	5.56 WWL HSE 372.547 EEL DeFEHR STREET	-	RECONNECT SERVICE
534 KINGSFORD AVENUE RESIDENTIAL	20 CU	20 CU	1.60 WWL HSE 373.512 EEL DeFEHR STREET	-	RECONNECT SERVICE
537 KINGSFORD AVENUE RESIDENTIAL	20 CU	20 CU	3.19 WWL HSE 389.055 EEL DeFEHR STREET	-	RECONNECT SERVICE
538 KINGSFORD AVENUE RESIDENTIAL	20 CU	20 CU	0.23 WWL HSE 392.296 EEL DeFEHR STREET	-	RECONNECT SERVICE

* SERVICES TO BE RENEWED TO R. ALL OTHERS TO BE RECONNECTED

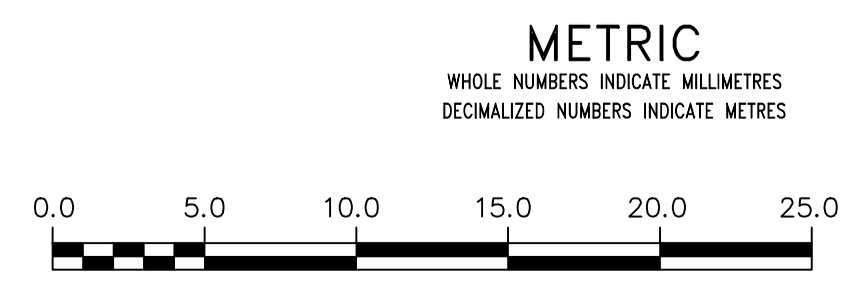
NOTE: CHAINAGES SHOWN ARE ALONG N_L OF KINGSFORD AVENUE

KINGSFORD AVENUE



FOR INDEX SEE D-16869

NOTE: ALL VALVES TO BE INSTALLED COUNTERCLOCKWISE TO CLOSE



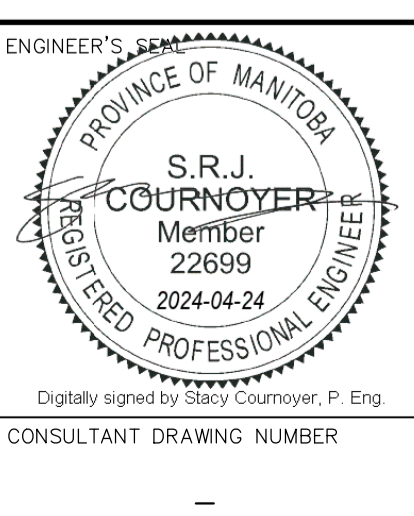
WARNING
 IF POWER EQUIPMENT OR EXPLOSIVES ARE TO BE USED FOR EXCAVATION ON THIS PROJECT THE CONTRACTOR MUST:
 1) NOTIFY THE GAS COMPANY OF THE PROPOSED LOCATION OF EXCAVATION.
 2) TAKE PRECAUTION TO AVOID DAMAGE TO GAS COMPANY INSTALLATIONS.
 SEE PROVINCIAL REGULATION 210/72 FOR DETAILS

LOCATION APPROVED UNDERGROUND STRUCTURES
 SUPV. U/G STRUCTURES COMMITTEE DATE
 NOTE:
 LOCATION OF UNDERGROUND STRUCTURES AS SHOWN ARE BASED ON THE BEST INFORMATION AVAILABLE BUT NO GUARANTEE IS GIVEN THAT ALL EXISTING UTILITIES ARE SHOWN OR THAT THE GIVEN LOCATIONS ARE EXACT. CONFIRMATION OF EXISTENCE AND EXACT LOCATION OF ALL SERVICES MUST BE OBTAINED FROM THE INDIVIDUAL UTILITIES BEFORE PROCEEDING WITH CONSTRUCTION.

VERTICAL DATUM: CGVD28 (HT2.0 Geoid)
 HORIZONTAL DATUM: NAD83 (June 1990), Zone 14

NO.	REVISIONS	DATE	BY

DESIGNED BY	JB	CHECKED BY	SC
DRAWN BY	AOM	APPROVED BY	SC
SCALE:		RELEASED FOR CONSTRUCTION	
HORIZONTAL	1:250		
VERTICAL	1:50		
DATE	2024 04 05	DATE	
PLOT DATE:	2024 04 05		



THE CITY OF WINNIPEG
 WATER AND WASTE DEPARTMENT
 ENGINEERING DIVISION

2024 WATER MAIN RENEWALS
 CONTRACT #5
 KINGSFORD AVENUE
 295.0 E OF DeFEHR STREET TO
 400.0 E OF DeFEHR STREET

SHEET 12 OF 13
 CITY DRAWING NUMBER
 D-16879