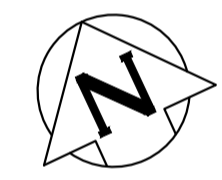


NOTE: CHAINAGES SHOWN ARE ALONG N R<sub>L</sub> OF KINGSFORD AVENUE

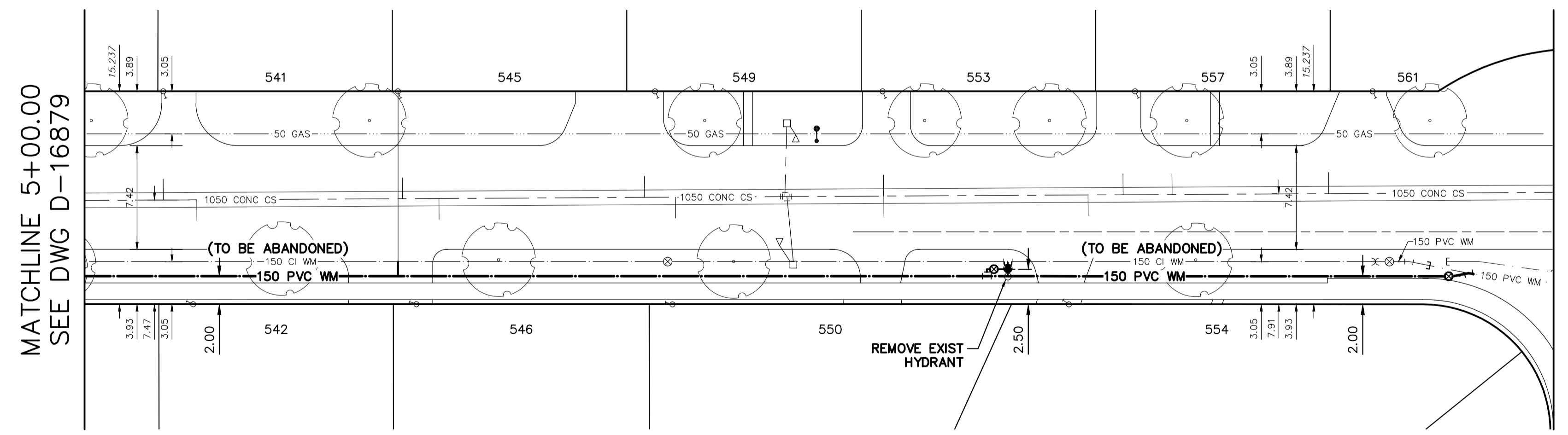
KINGSFORD AVENUE



**WATER SERVICE INFORMATION**

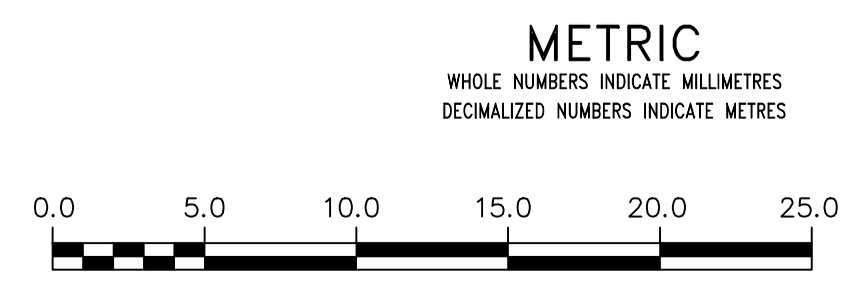
ADDRESS	SIZE (mm) MATERIAL (STREET)	SIZE (mm) MATERIAL (PROP.)	SHORT & LONG MEASUREMENT	LINEAR DISTANCE CORP LOCATION	REMARKS
541 KINGSFORD AVENUE RESIDENTIAL	-	-	2.66 WWL HSE 405.641 EEL DeFEHR STREET	-	RECONNECT SERVICE
542 KINGSFORD AVENUE RESIDENTIAL	-	-	0.47 EWL HSE 407.787 EEL DeFEHR STREET	-	RECONNECT SERVICE
545 KINGSFORD AVENUE RESIDENTIAL	20	20	1.88 WWL HSE 442.414 EEL DeFEHR STREET	OPP OF S/C	RECONNECT SERVICE
546 KINGSFORD AVENUE RESIDENTIAL	-	-	1.15 WWL HSE 423.740 EEL DeFEHR STREET	-	RECONNECT SERVICE
549 KINGSFORD AVENUE RESIDENTIAL	-	-	1.15 WWL HSE 440.780 EEL DeFEHR STREET	-	RECONNECT SERVICE
550 KINGSFORD AVENUE RESIDENTIAL	-	-	0.48 WWL HSE 442.043 EEL DeFEHR STREET	-	RECONNECT SERVICE
553 KINGSFORD AVENUE RESIDENTIAL	20	20	2.01 WWL HSE 457.050 EEL DeFEHR STREET	-	RECONNECT SERVICE
554 KINGSFORD AVENUE RESIDENTIAL	-	-	3.58 WWL HSE 470.376 EEL DeFEHR STREET	-	RECONNECT SERVICE
557 KINGSFORD AVENUE RESIDENTIAL	-	-	0.72 WWL HSE 475.088 EEL DeFEHR STREET	-	RECONNECT SERVICE
561 KINGSFORD AVENUE RESIDENTIAL	20	20	2.25 WWL HSE 492.069 EEL DeFEHR STREET	-	RECONNECT SERVICE

\* SERVICES TO BE RENEWED TO R. ALL OTHERS TO BE RECONNECTED



FOR INDEX SEE D-16869

NOTE: ALL VALVES TO BE INSTALLED COUNTERCLOCKWISE TO CLOSE



**WARNING**  
IF POWER EQUIPMENT OR EXPLOSIVES ARE TO BE USED FOR EXCAVATION ON THIS PROJECT THE CONTRACTOR MUST:  
1) NOTIFY THE GAS COMPANY OF THE PROPOSED LOCATION OF EXCAVATION.  
2) TAKE PRECAUTION TO AVOID DAMAGE TO GAS COMPANY INSTALLATIONS.  
SEE PROVINCIAL REGULATION 210/72 FOR DETAILS

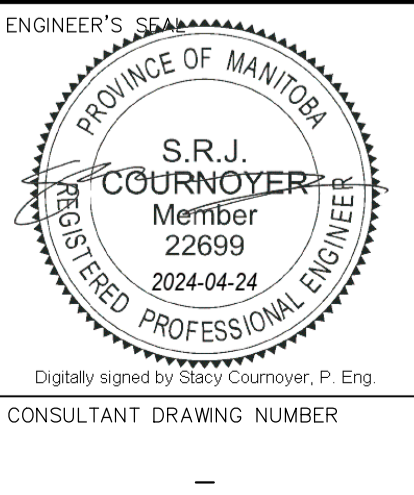
**LOCATION APPROVED**  
UNDERGROUND STRUCTURES  
SUPV. U/G STRUCTURES COMMITTEE DATE  
NOTE:  
LOCATION OF UNDERGROUND STRUCTURES AS SHOWN ARE BASED ON THE BEST INFORMATION AVAILABLE BUT NO GUARANTEE IS GIVEN THAT ALL EXISTING UTILITIES ARE SHOWN OR THAT THE GIVEN LOCATIONS ARE EXACT. CONFIRMATION OF EXISTENCE AND EXACT LOCATION OF ALL SERVICES MUST BE OBTAINED FROM THE INDIVIDUAL UTILITIES BEFORE PROCEEDING WITH CONSTRUCTION.

VERTICAL DATUM: CGVD28 (HT2.0 Geoid)  
HORIZONTAL DATUM: NAD83 (June 1990), Zone 14

NO.	REVISIONS	DATE	BY

DESIGNED BY	JB	CHECKED BY	SC
DRAWN BY	AOM	APPROVED BY	SC
SCALE:	HORIZONTAL 1:250 VERTICAL 1:50		
DATE	2024 04 05	RELEASED FOR CONSTRUCTION	DATE

PLOT DATE: 2024 04 05



**THE CITY OF WINNIPEG**  
WATER AND WASTE DEPARTMENT  
ENGINEERING DIVISION

2024 WATER MAIN RENEWALS  
CONTRACT #5  
KINGSFORD AVENUE  
400.0 E OF DeFEHR STREET TO  
500.0 E OF DeFEHR STREET

SHEET 13 OF 13  
CITY DRAWING NUMBER  
D-16880