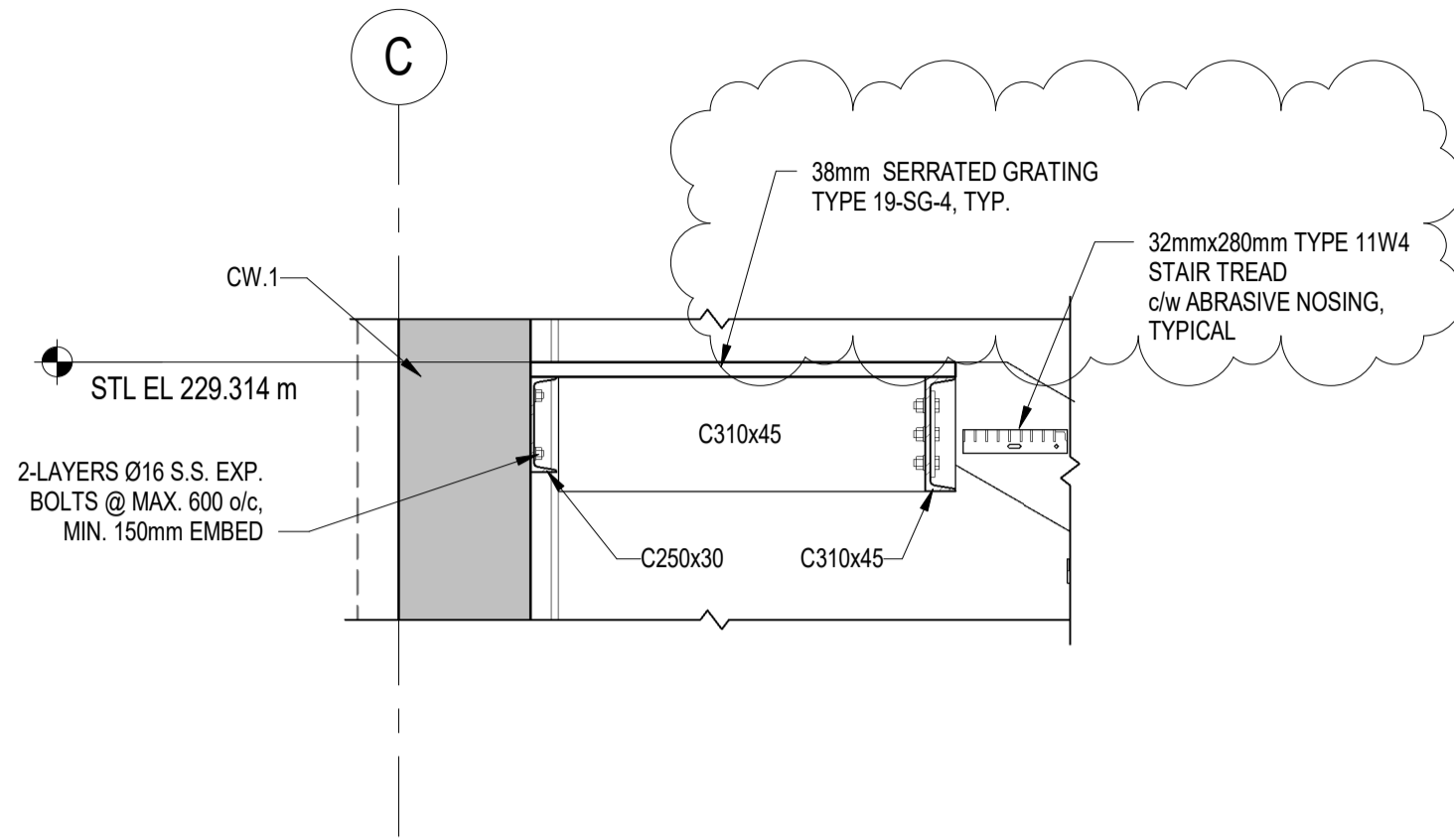
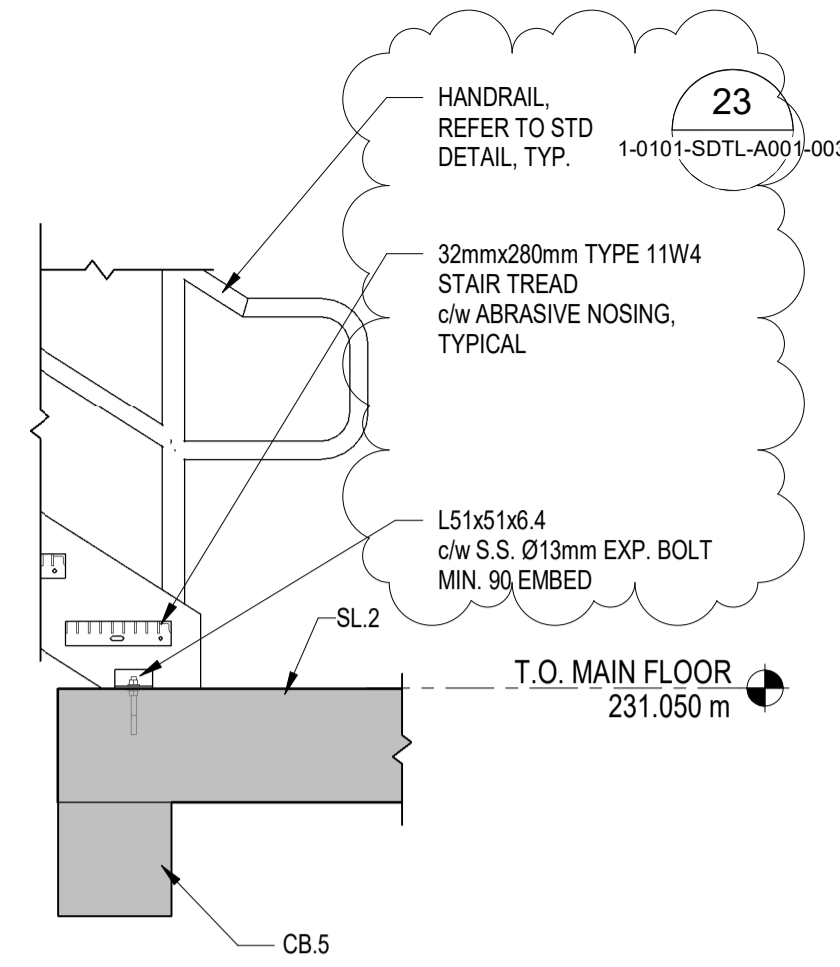


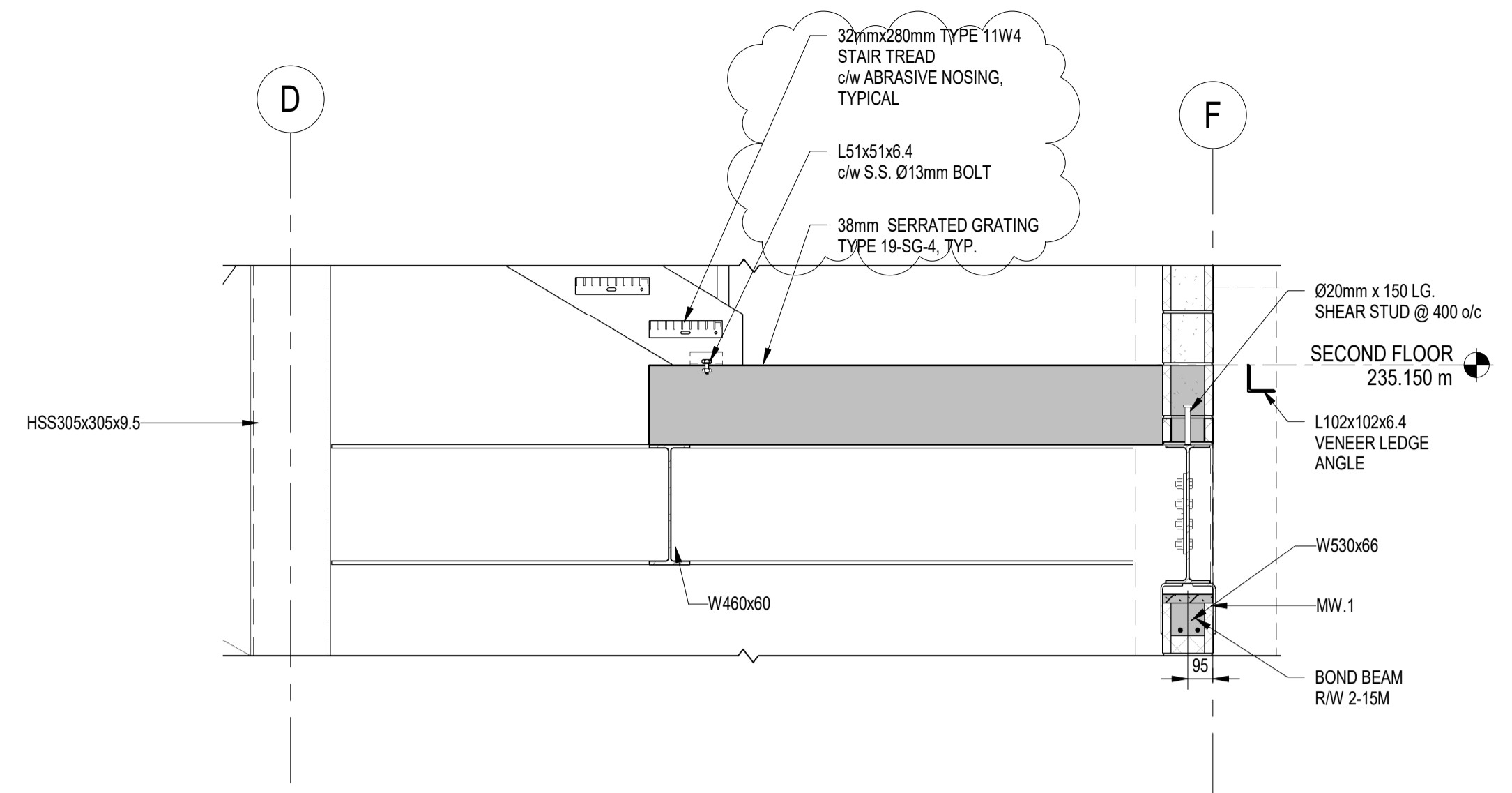
1 | DETAIL  
1-0101-SGAD-P017-001 | SCALE: 1 : 20



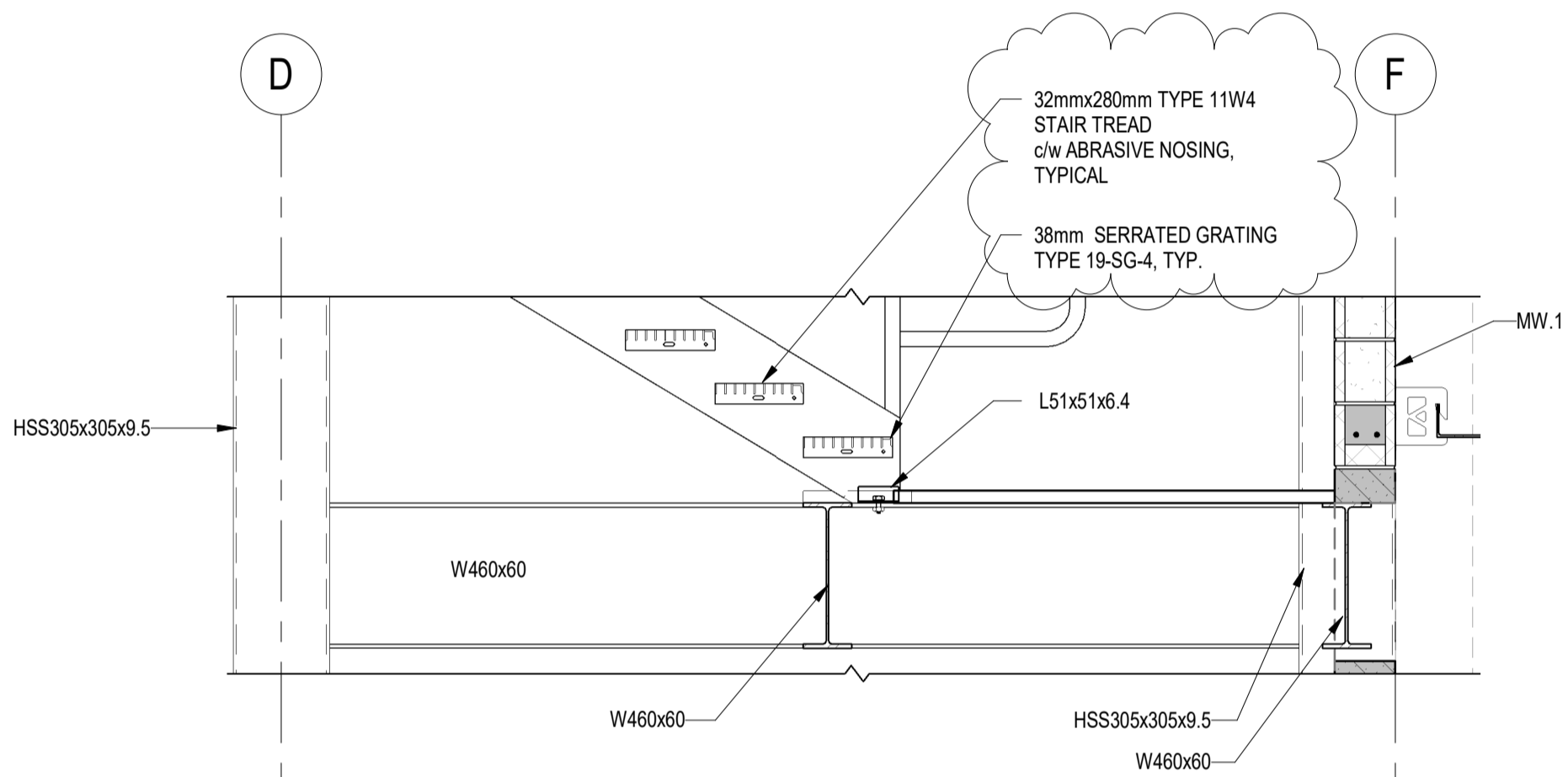
2 | DETAIL  
1-0101-SGAD-P017-001 | SCALE: 1 : 20



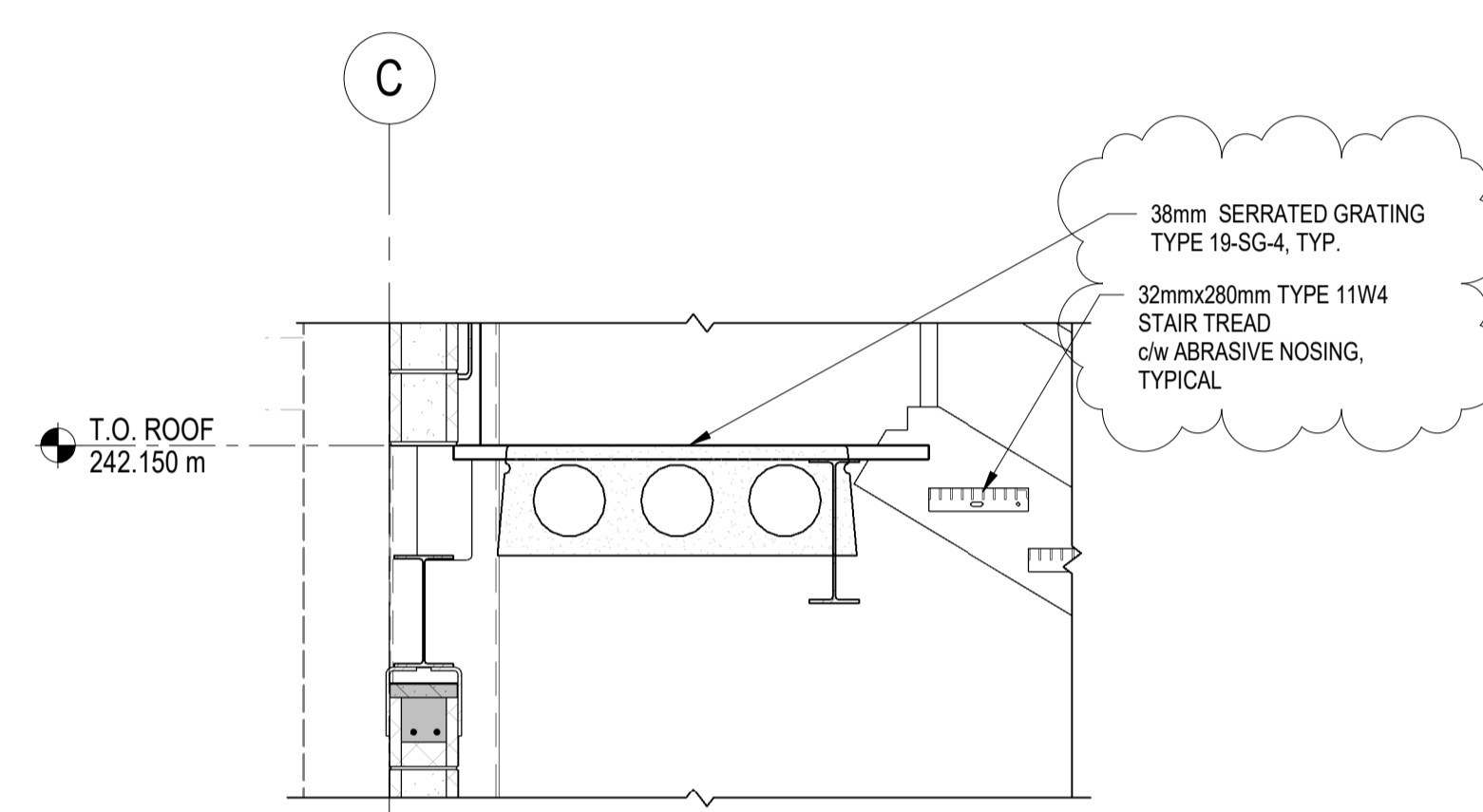
3 | DETAIL  
1-0101-SGAD-P017-001 | SCALE: 1 : 20



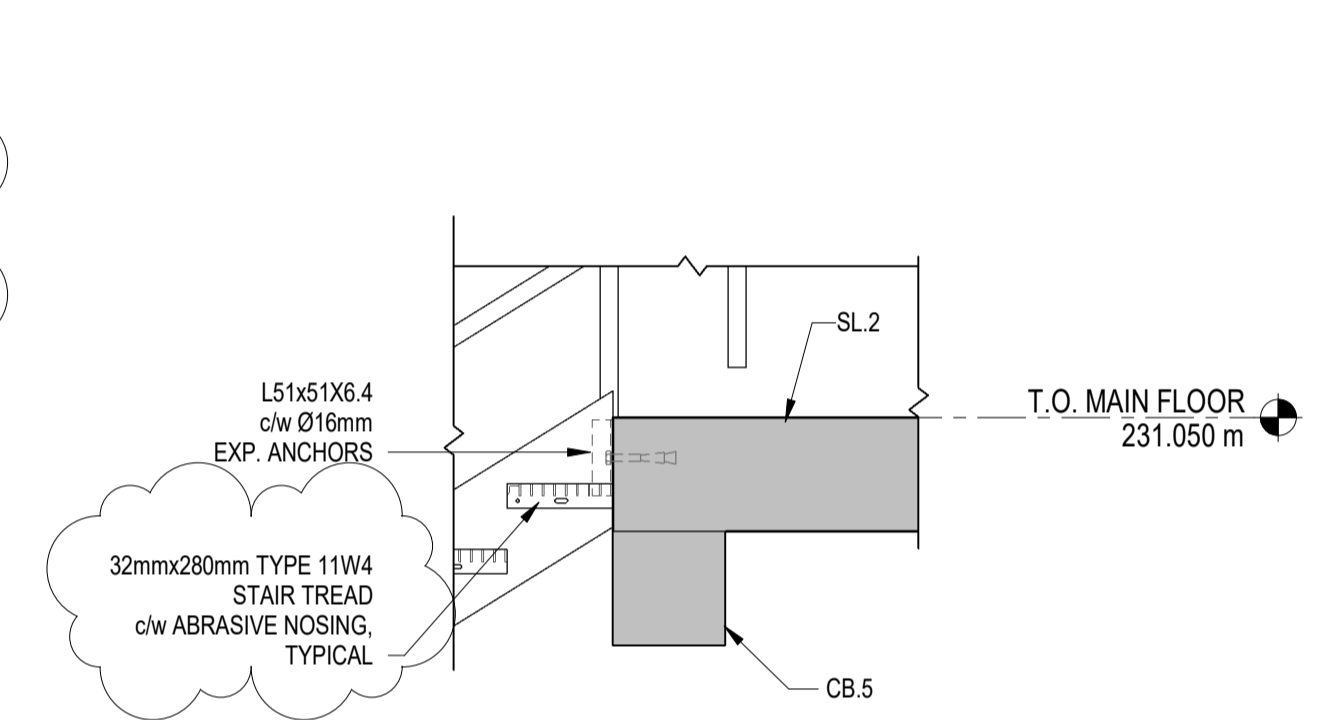
4 | DETAIL  
1-0101-SGAD-P017-001 | SCALE: 1 : 20



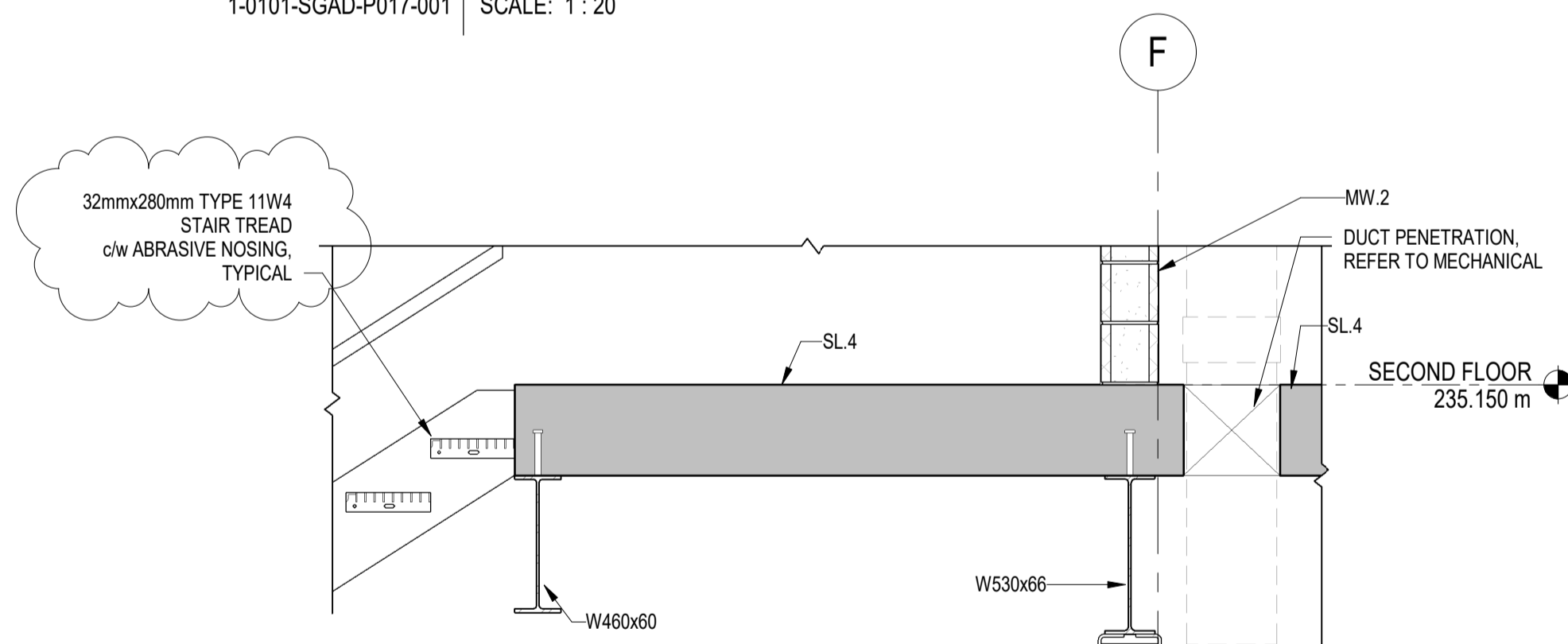
5 | DETAIL  
1-0101-SGAD-P017-001 | SCALE: 1 : 20



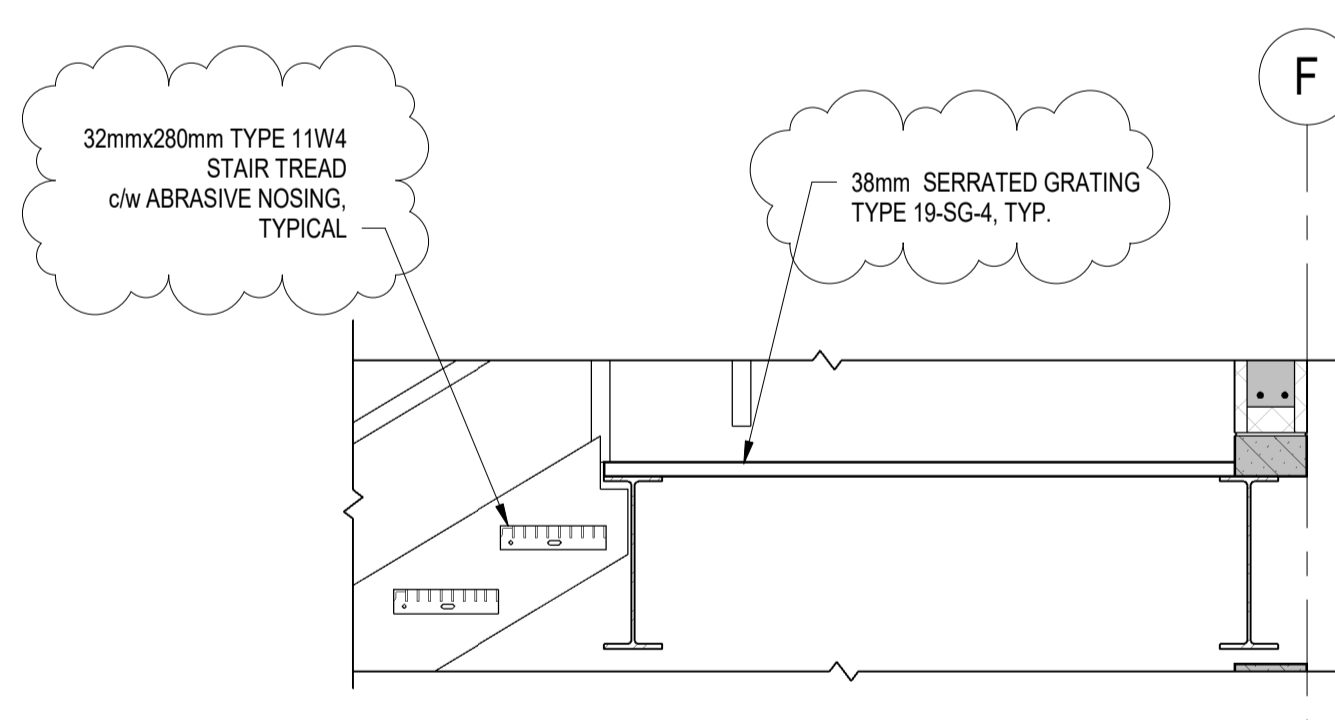
6 | DETAIL  
1-0101-SGAD-P017-001 | SCALE: 1 : 20



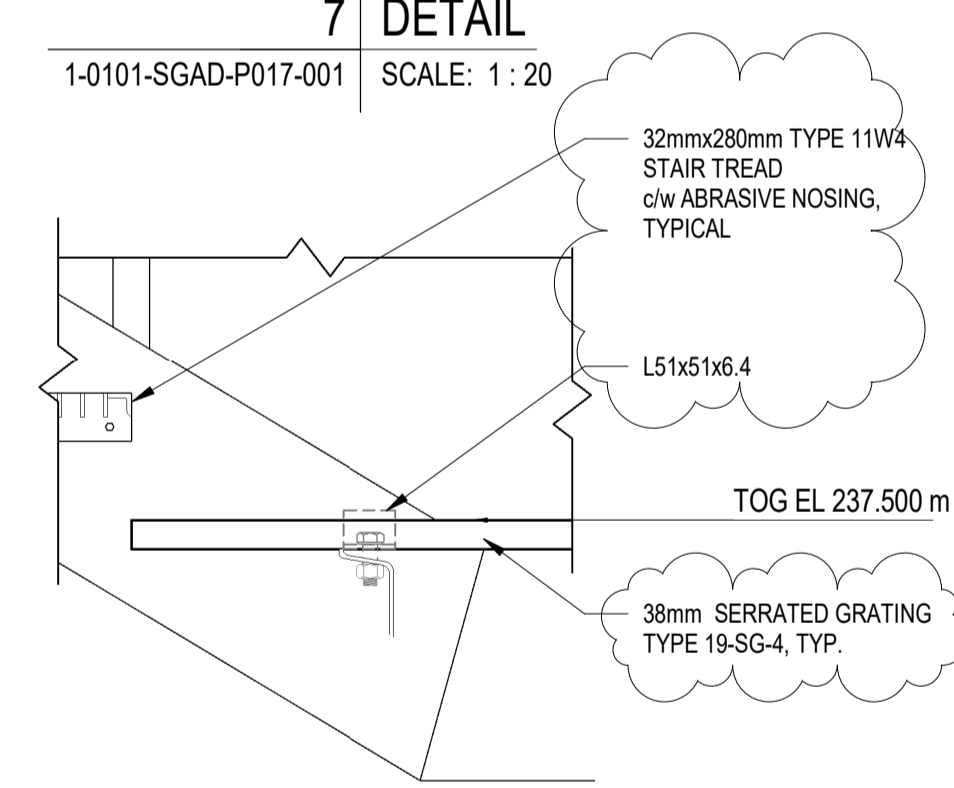
7 | DETAIL  
1-0101-SGAD-P017-001 | SCALE: 1 : 20



8 | DETAIL  
1-0101-SGAD-P017-001 | SCALE: 1 : 20



9 | DETAIL  
1-0101-SGAD-P017-001 | SCALE: 1 : 20



10 | DETAIL  
1-0101-SGAD-P017-001 | SCALE: 1 : 20

**NOTE:**  
ALL STEEL TO BE GALVANIZED.

**GRATING STAIR NOTES:**  
ALL STAIR FRAMING, STRINGERS, GRATING AND TREADS ARE GALVANIZED STEEL.

**ENGINEERS GEOSCIENTISTS MANITOBA**  
Certificate of Authorization  
AECOM Canada Ltd.  
No. 4671 Date: 2025-01-31

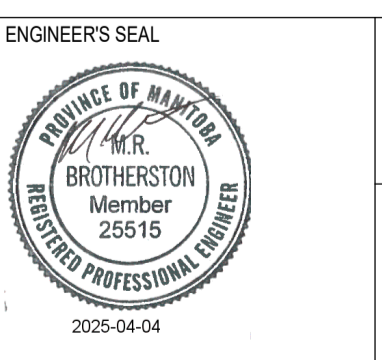
TENDER NO. 721-2024

REFERENCE DRAWINGS STRUCTURAL	
DWG NO.	REFERENCE DRAWING TITLE
1-0101-BSCH-P001-001	SCHEDULES
1-0101-BSCH-P001-002	SCHEDULES
1-0101-SAAA-A002-001	GENERAL NOTES
1-0101-SDTL-A001-001	STANDARD DETAILS
1-0101-SDTL-A001-002	STANDARD DETAILS
1-0101-SDTL-A001-003	STANDARD DETAILS
1-0101-SDTL-A002-001	STANDARD BACKFILL DETAILS
1-0101-SFDW-P001-001	PILING PLAN
1-0101-SGAD-A020-001	STAIR 2 SECTION
1-0101-SGAD-A021-001	MONORAIL DETAILS
1-0101-SGAD-P001-001	LOWER LEVEL PLAN
1-0101-SGAD-P002-001	MAIN FLOOR FRAMING PLAN MAIN FLOOR CMU WALLS PLAN
1-0101-SGAD-P003-001	SECOND FLOOR FRAMING PLAN SECOND FLOOR CMU WALLS PLAN
1-0101-SGAD-P004-001	MECHANICAL PLATFORM FRAMING

REFERENCE DRAWINGS STRUCTURAL	
DWG NO.	REFERENCE DRAWING TITLE
1-0101-SGAD-P005-001	ROOF FRAMING PLAN PENTHOUSE FRAMING PLAN
1-0101-SGAD-P006-001	PENTHOUSE FRAMING PLAN
1-0101-SGAD-P007-001	FRAMING ELEVATIONS
1-0101-SGAD-P007-002	FRAMING ELEVATIONS
1-0101-SGAD-P007-003	FRAMING ELEVATIONS
1-0101-SGAD-P010-001	SECTIONS
1-0101-SGAD-P010-002	SECTION
1-0101-SGAD-P010-003	SECTION
1-0101-SGAD-P010-004	SECTIONS
1-0101-SGAD-P010-005	SECTIONS
1-0101-SGAD-P010-006	SECTIONS
1-0101-SGAD-P010-007	SECTIONS
1-0101-SGAD-P011-001	SECTIONS
1-0101-SGAD-P011-002	SECTIONS

REFERENCE DRAWINGS STRUCTURAL	
DWG NO.	REFERENCE DRAWING TITLE
1-0101-SGAD-P012-001	WALL SECTIONS
1-0101-SGAD-P014-001	DETAILS
1-0101-SGAD-P014-002	DETAILS
1-0101-SGAD-P014-003	DETAILS
1-0101-SGAD-P015-001	EMBED WEAR PLATES
1-0101-SGAD-P015-002	DETAILS
1-0101-SGAD-P016-001	STAIR 1 PLANS
1-0101-SGAD-P016-002	STAIR 1 PLANS
1-0101-SGAD-P016-003	STAIR 1 PLANS
1-0101-SGAD-P016-004	STAIR 1 PLANS
1-0101-SGAD-P017-001	STAIR 1 SECTIONS
1-0101-SGAD-P018-001	STAIR DETAILS
1-0101-SGAD-P019-001	STAIR 2 PLANS
1-0101-SSCH-A001-001	SCHEDULES

DESIGNED BY: CT	CHECKED BY: MB
DRAWN BY: BF	APPROVED BY: NW
SCALE: As indicated	RELEASED FOR CONSTRUCTION BY:
DATE: 2020-12-09	DATE:
CONSULTANT NO.: P3-S409	



**THE CITY OF WINNIPEG**  
WATER AND WASTE DEPARTMENT

NORTH END SEWAGE TREATMENT PLANT  
PRIMARY CLARIFICATION PROJECT  
STRUCTURAL  
STAIR DETAILS

CITY DRAWING NUMBER: 1-0101-SGAD-P018  
SHEET: 001  
REV: 01  
SIZE: A1