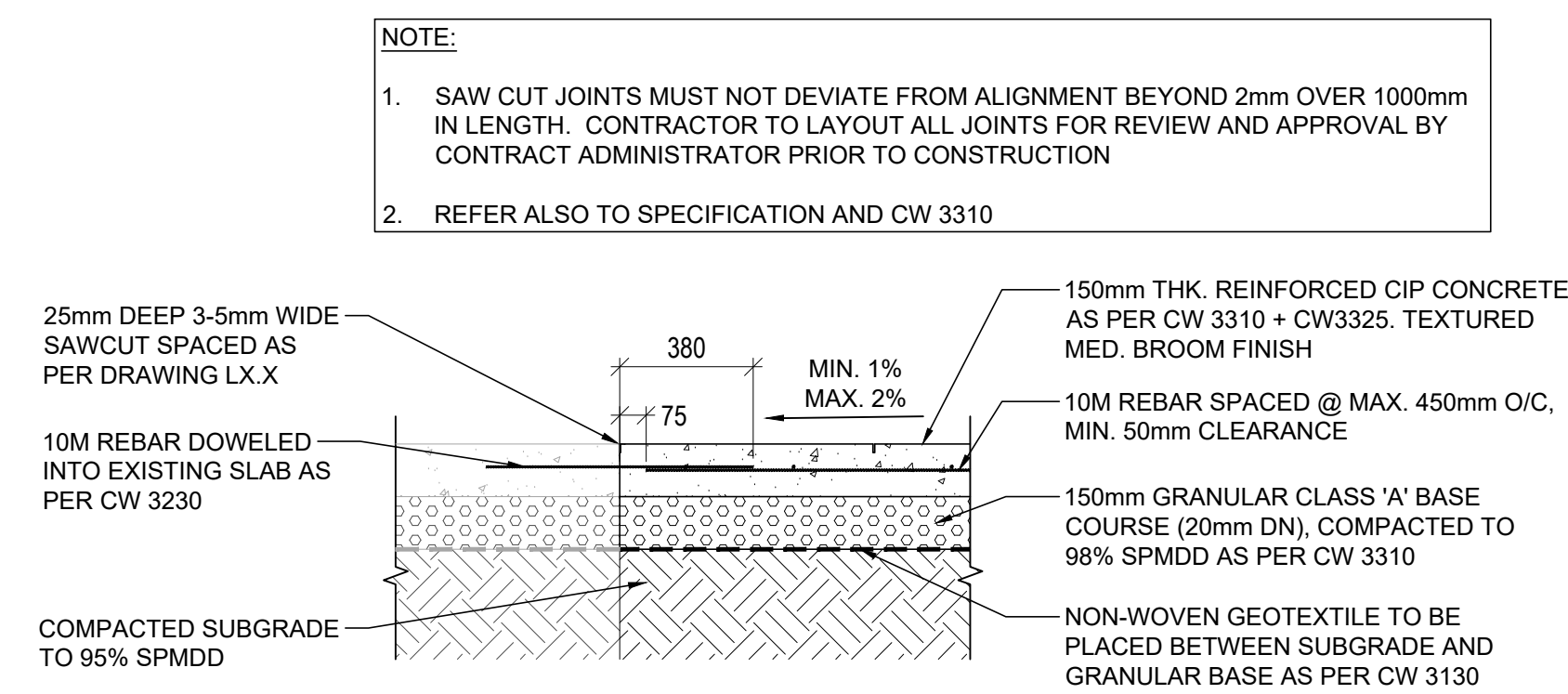
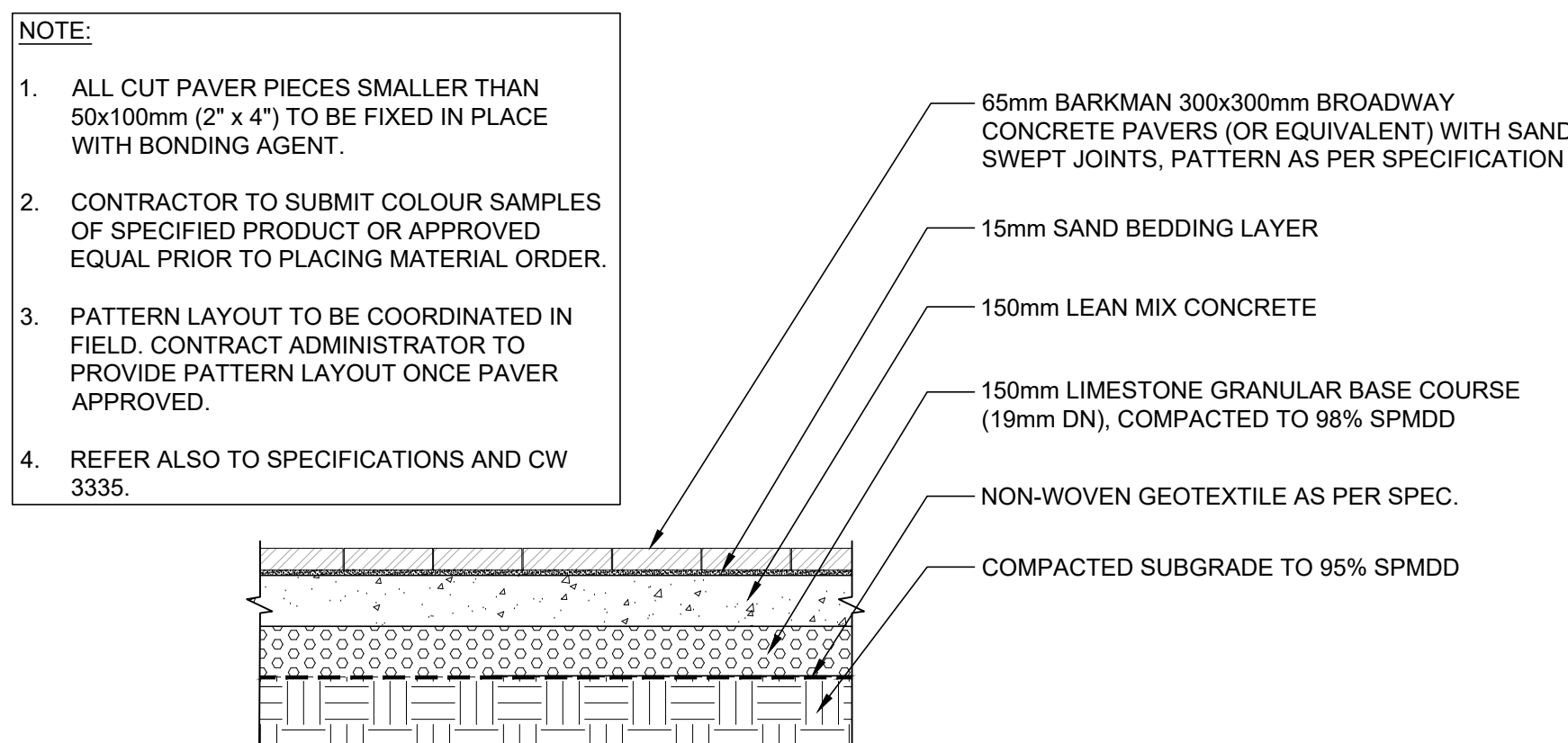


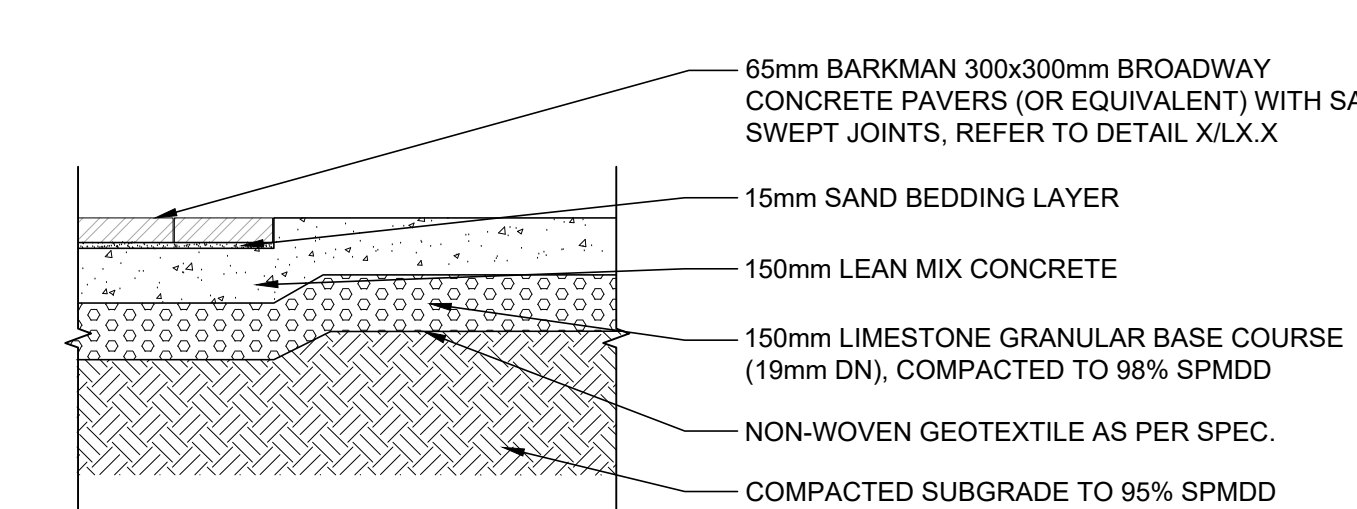
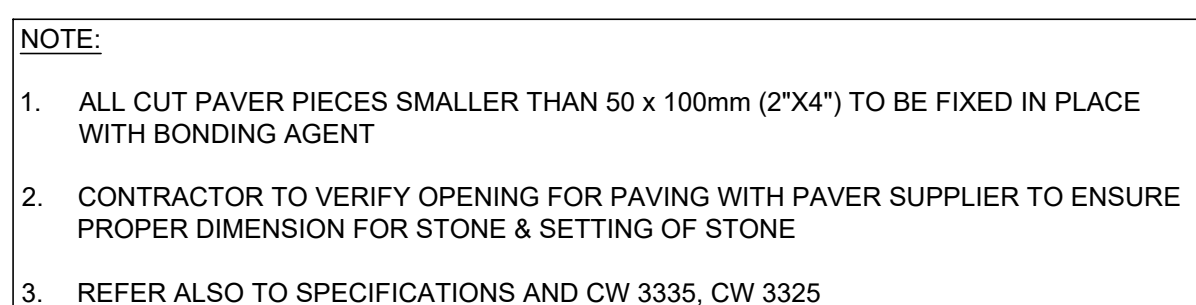
1 R.O.W. CONCRETE PAVING w/ BLOCK OUTS
SCALE - 1 : 20



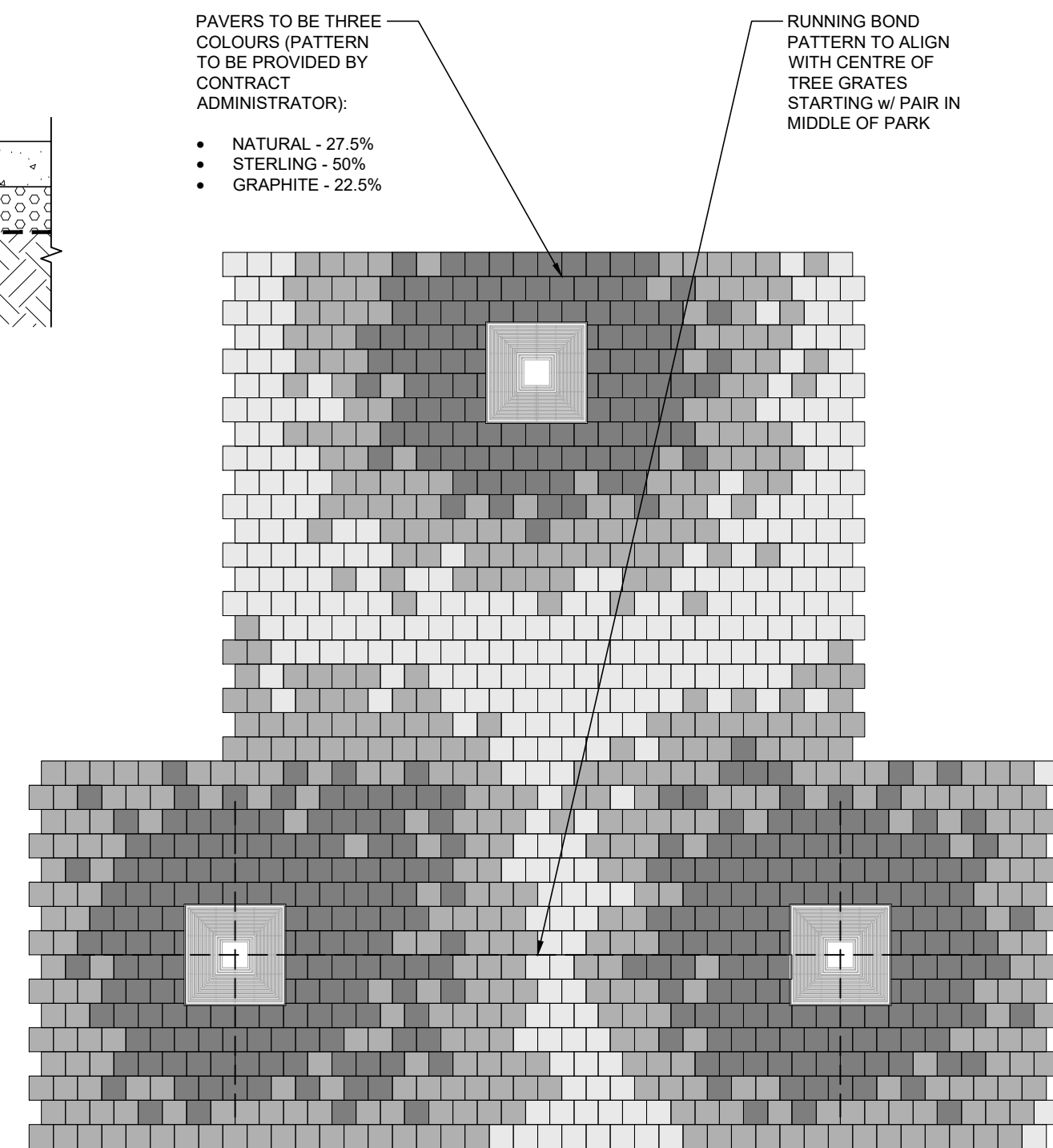
2 REINFORCED PIP CONCRETE PAVING
SCALE - 1 : 20



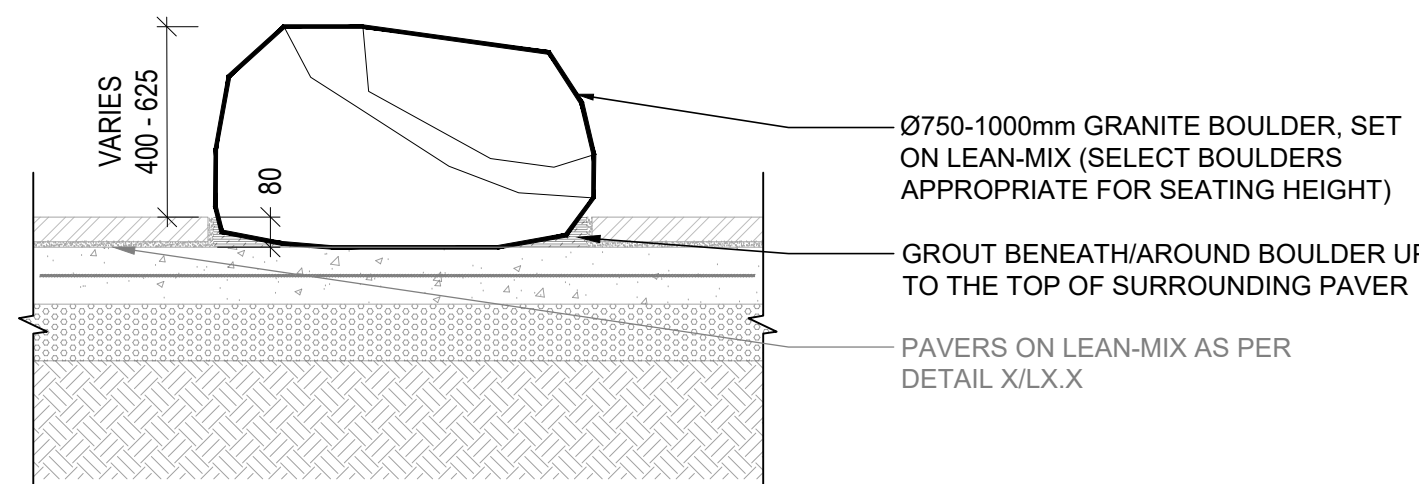
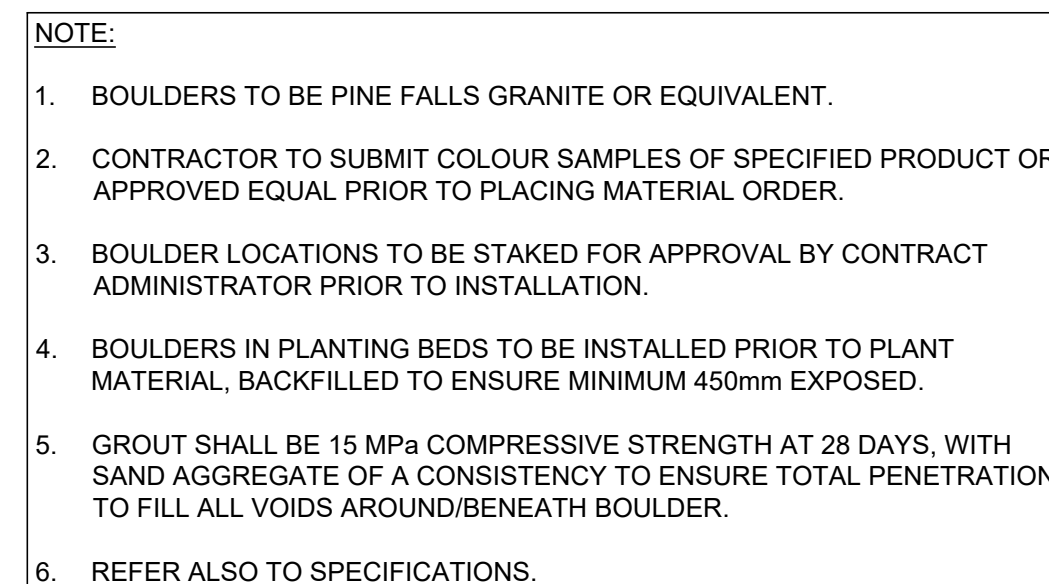
3 CONC. PAVERS ON LEAN-MIX
SCALE - 1 : 20



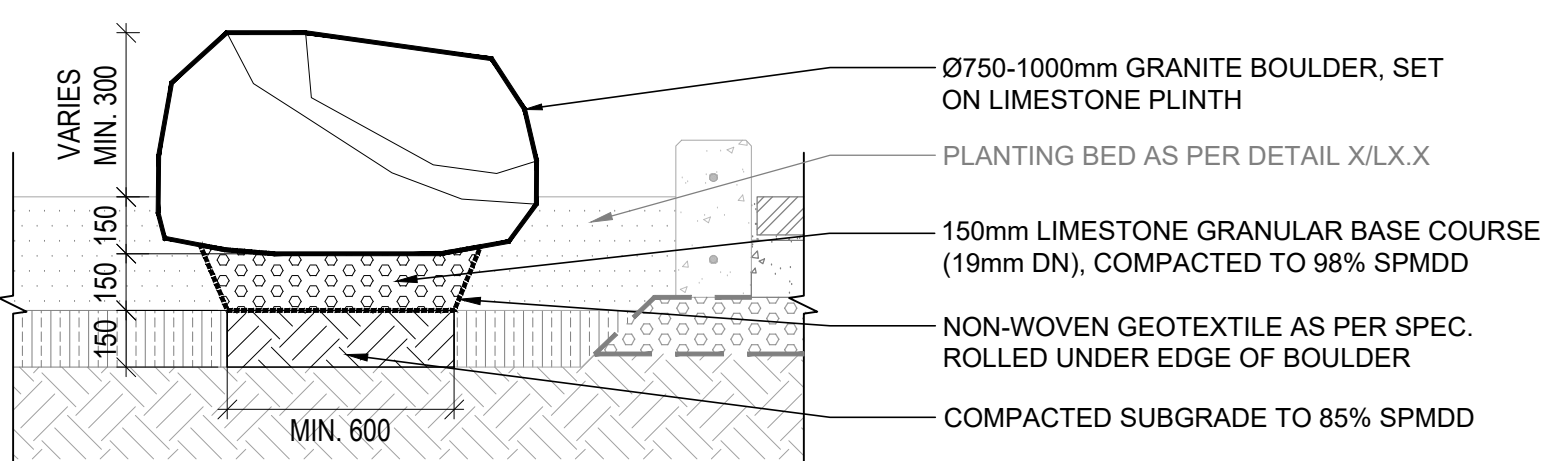
4 PIP CONCRETE TO UNIT PAVER TRANSITION
SCALE - 1 : 20



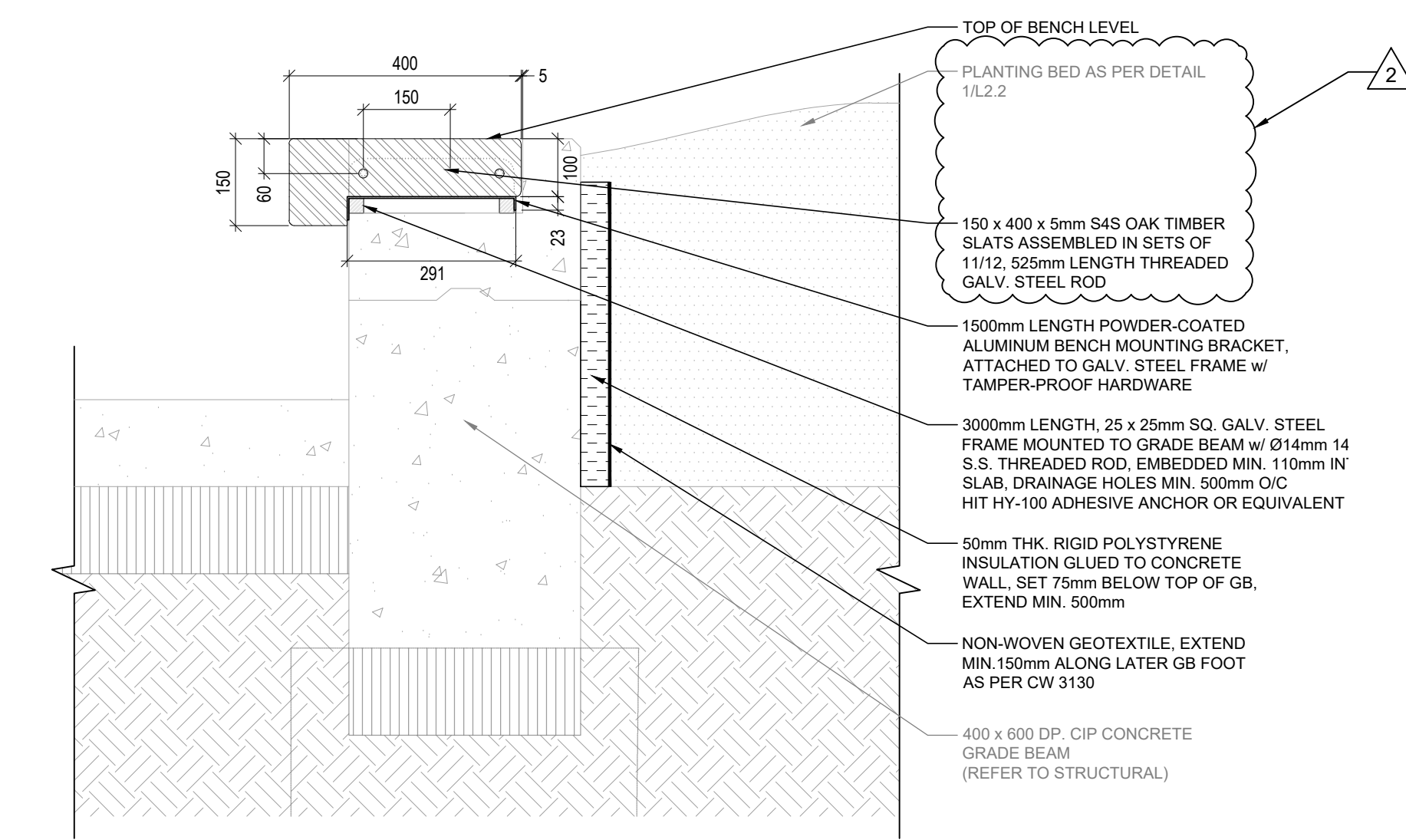
5 CONC. PAVER LAYOUT (VAR.)
SCALE - 1 : 100



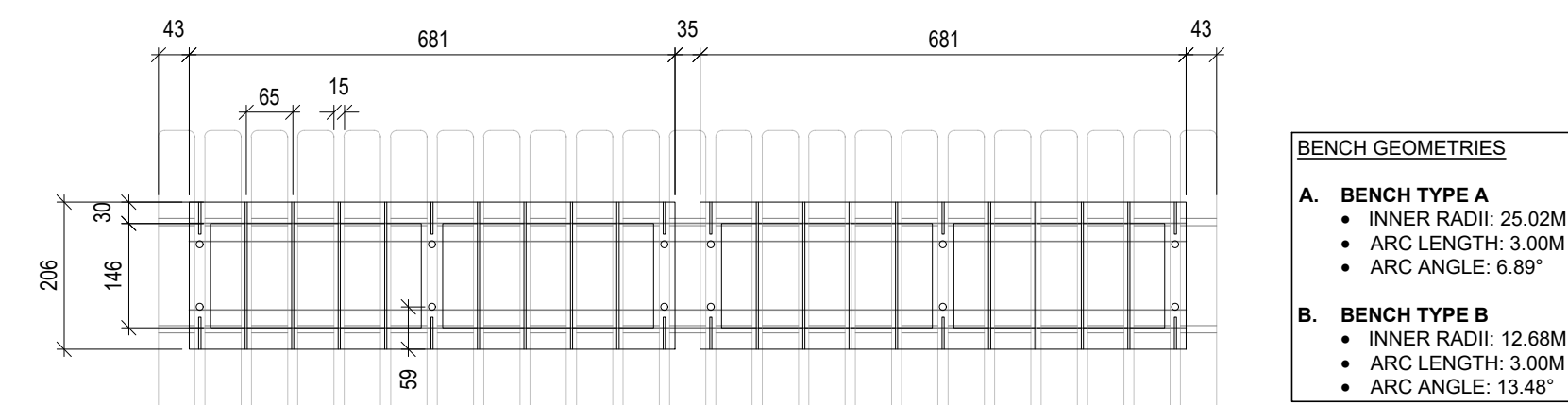
6 BOULDER - SET IN PAVING
SCALE - 1 : 20



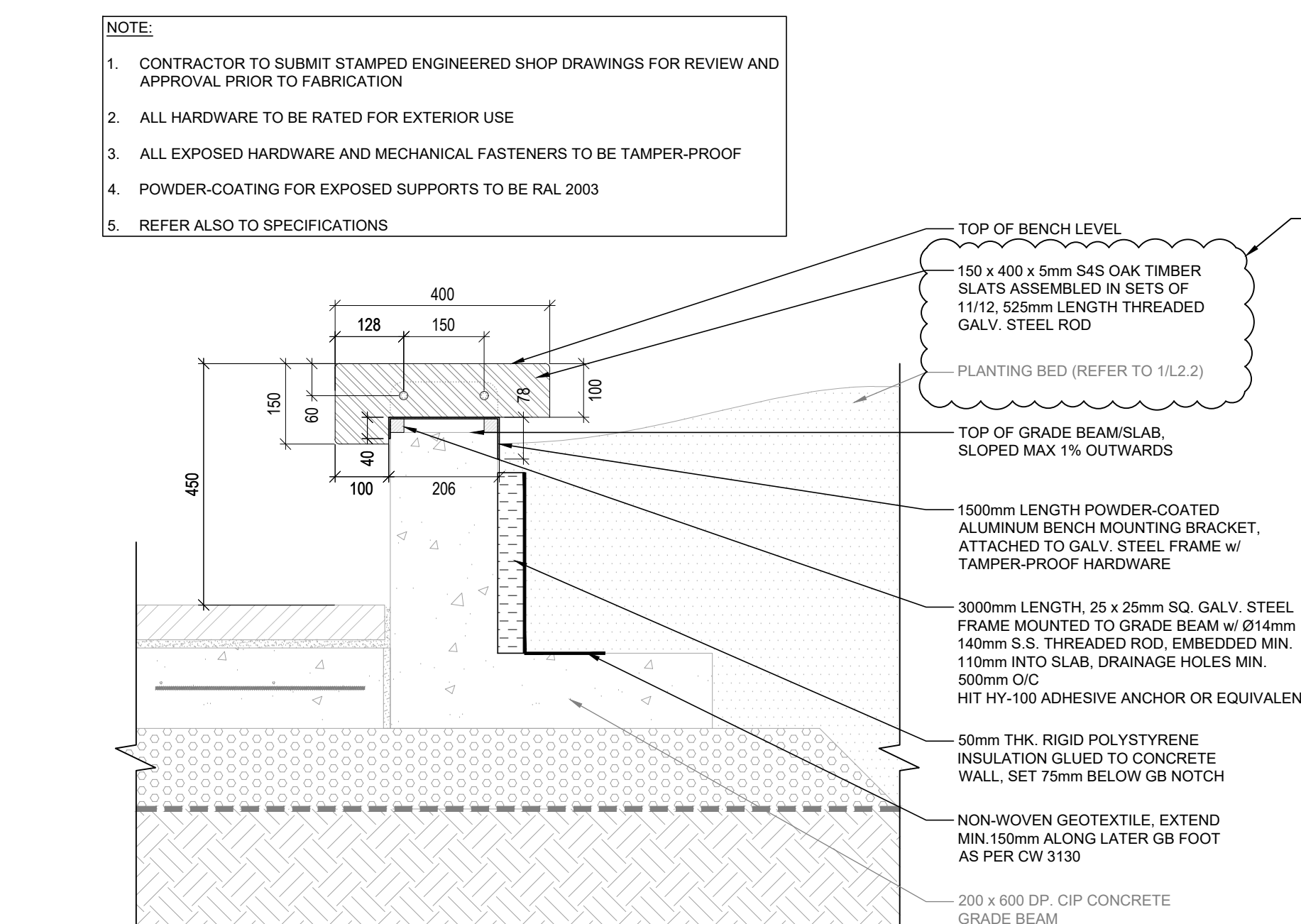
7 BOULDER - SET IN PLANTER
SCALE - 1 : 20



8 TOP-OF-WALL BENCH TYPE B
SCALE - 1 : 10



9 TOP-OF-WALL BENCH PLAN
SCALE - 1 : 10



10 TOP-OF-WALL BENCH TYPE A
SCALE - 1 : 10

- NOTES:**
- APPLICABLE CITY OF WINNIPEG STANDARDS:
- CW 3010 - CLEARING AND GRUBBING
 - CW 3110 - SUB-GRADE, SUB-BASE AND BASE COURSE CONSTRUCTION
 - CW 3130 - SUPPLY AND INSTALLATION OF GEOTEXTILE FABRICS
 - CW 3135 - SUPPLY AND INSTALLATION OF GEOGRID
 - CW 3170 - EARTHWORK AND GRADING
 - CW 3230 - FULL-DEPTH PATCHING OF EXISTING SLABS AND JOINTS
 - CW 3235 - RENEWAL OF EXISTING MISCELLANEOUS CONCRETE SLABS
 - CW 3240 - RENEWAL OF EXISTING CURB
 - CW 3310 - PORTLAND CEMENT CONCRETE PAVEMENT WORKS
 - CW 3324 - PORTLAND CEMENT CONCRETE SIDEWALK
 - CW 3335 - INSTALLATION OF INTERLOCKING PAVEMENT STONES ON A LEAN CONCRETE BASE

REV	YY / MM / DD	DESCRIPTION	BY
2	24 / 03 / 11	ISSUED FOR ADDENDUM #4	CO
1	24 / 02 / 12	ISSUED FOR TENDER	CO

A	SECTION LETTER OR DETAIL NUMBER	PROFESSIONAL'S SEAL
B	DRAWING WHERE SECTION OR DETAIL IS DRAWN	
	OR	
	DRAWING WHERE SECTION OR DETAIL IS INDICATED	
	SECTION OR DETAIL SHOWN ON SAME DRAWING	

SCATLIFF + MILLER + MURRAY
visionary urban design + landscapes

CONSULTANT FILE NAME AIR CANADA PARK - DD_L3.0

CLIENT **CITY OF WINNIPEG**
PLANNING, PROPERTY & DEVELOPMENT

Winnipeg
AIR CANADA WINDOW PARK REDEVELOPMENT

CITY DRAWING NUMBER SHEET OF
9 28

DESIGN	DRAWN	DATE - Y / M / D	SCALE
CO/YK	YK/NHCW	24 / 03 / 11	AS SHOWN
CHECKED	APPROVED	PROJECT No.	DRAWING No.
CO	CO	23-0107-002	L2.0