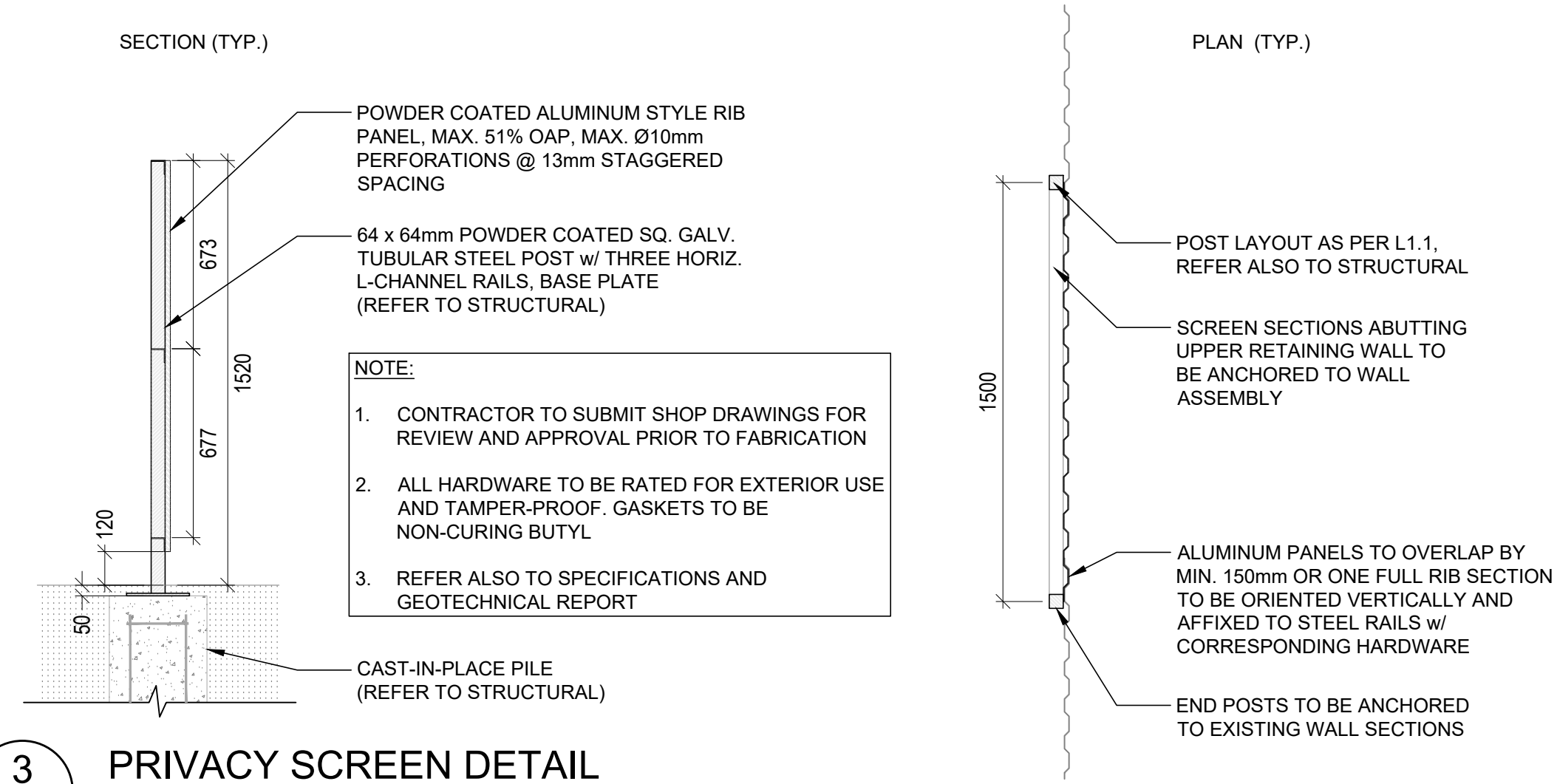
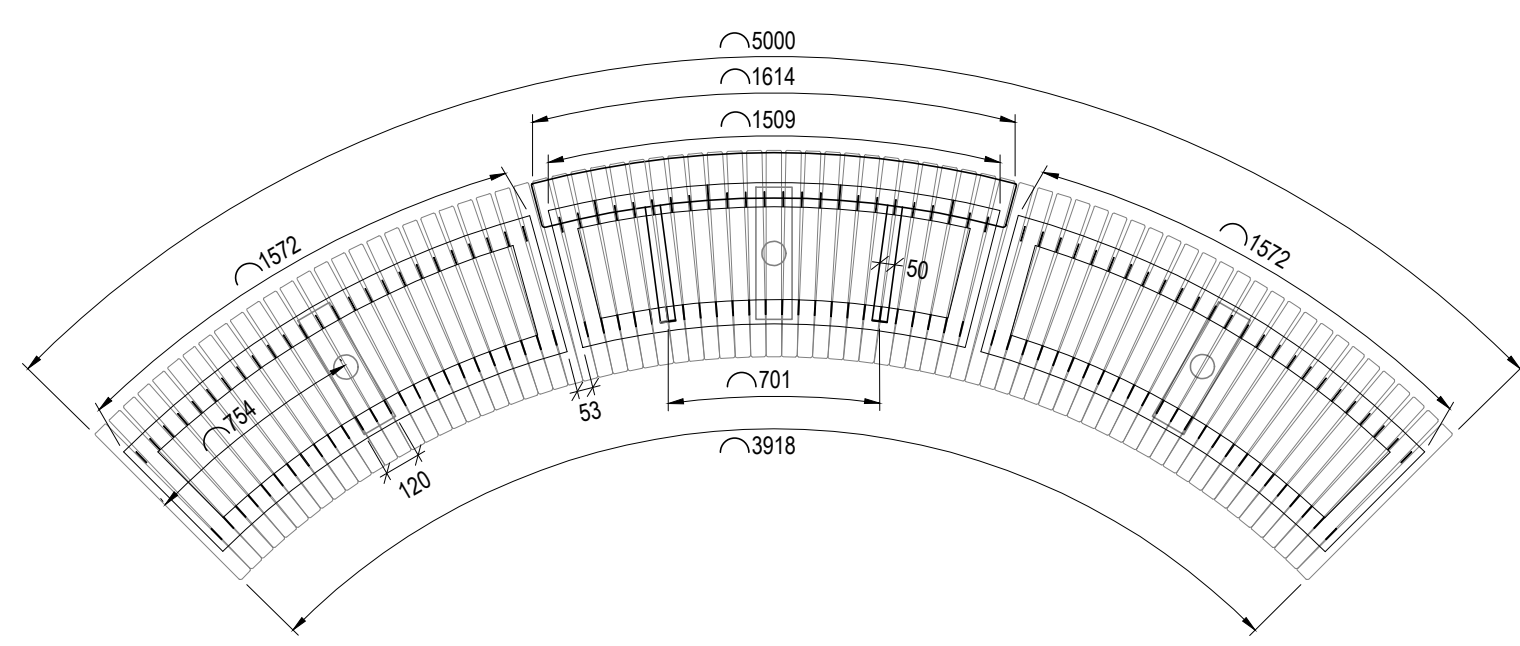


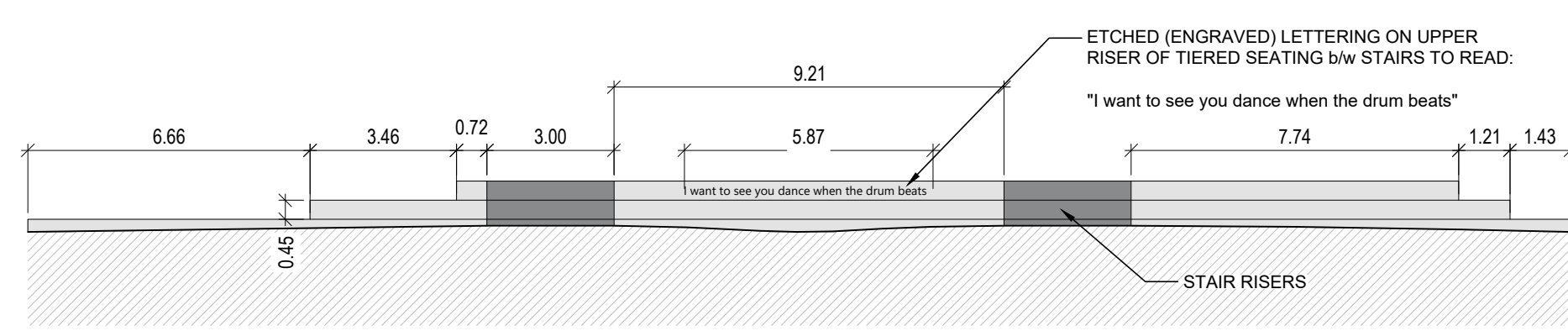
**1 FREE-STANDING BENCH ELEVATION**  
L2.1 SCALE - 1 : 10



**3 PRIVACY SCREEN DETAIL**  
L2.1 SCALE - 1 : 20



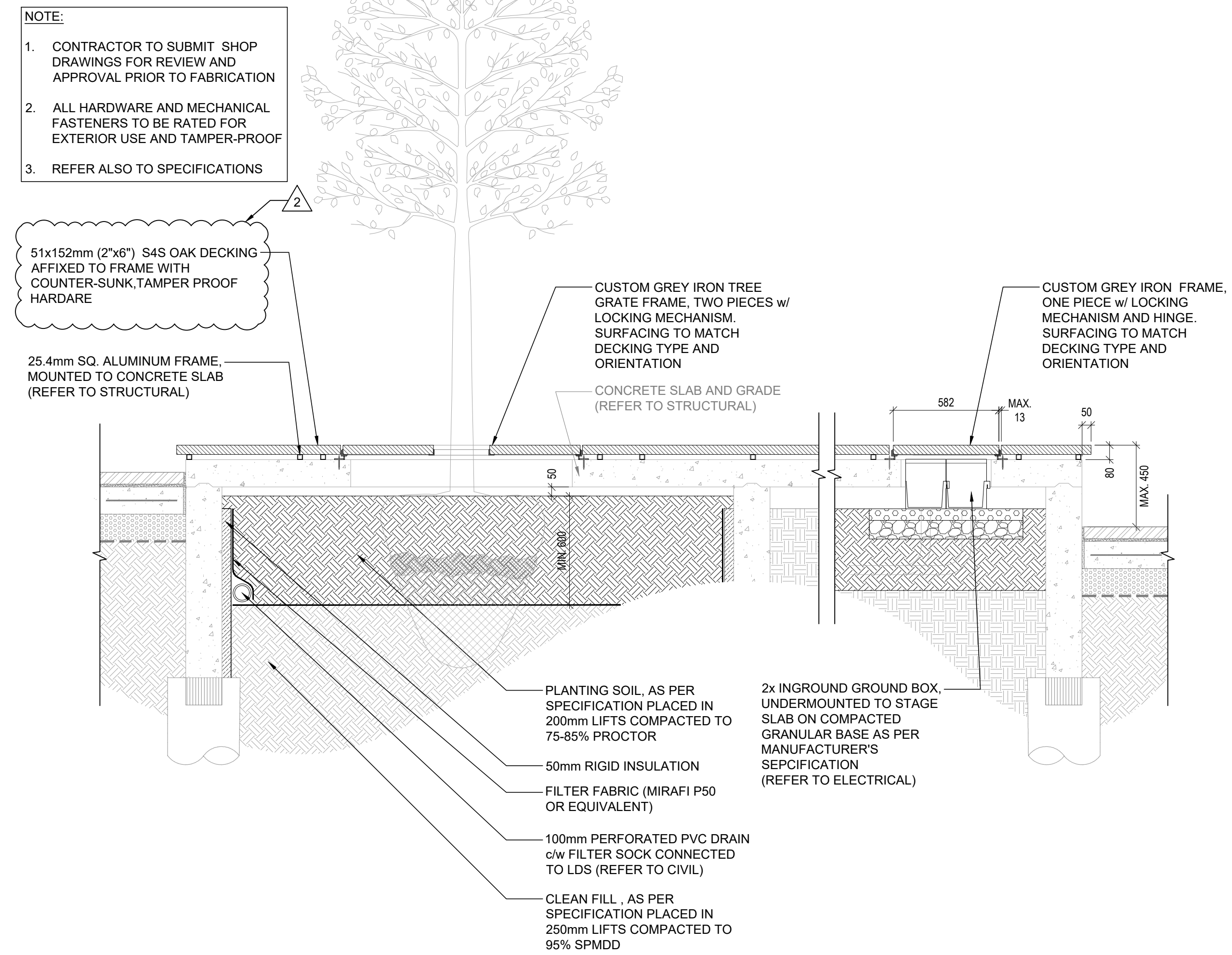
**2 FREE-STANDING BENCH PLAN**  
L2.1 SCALE - 1 : 25



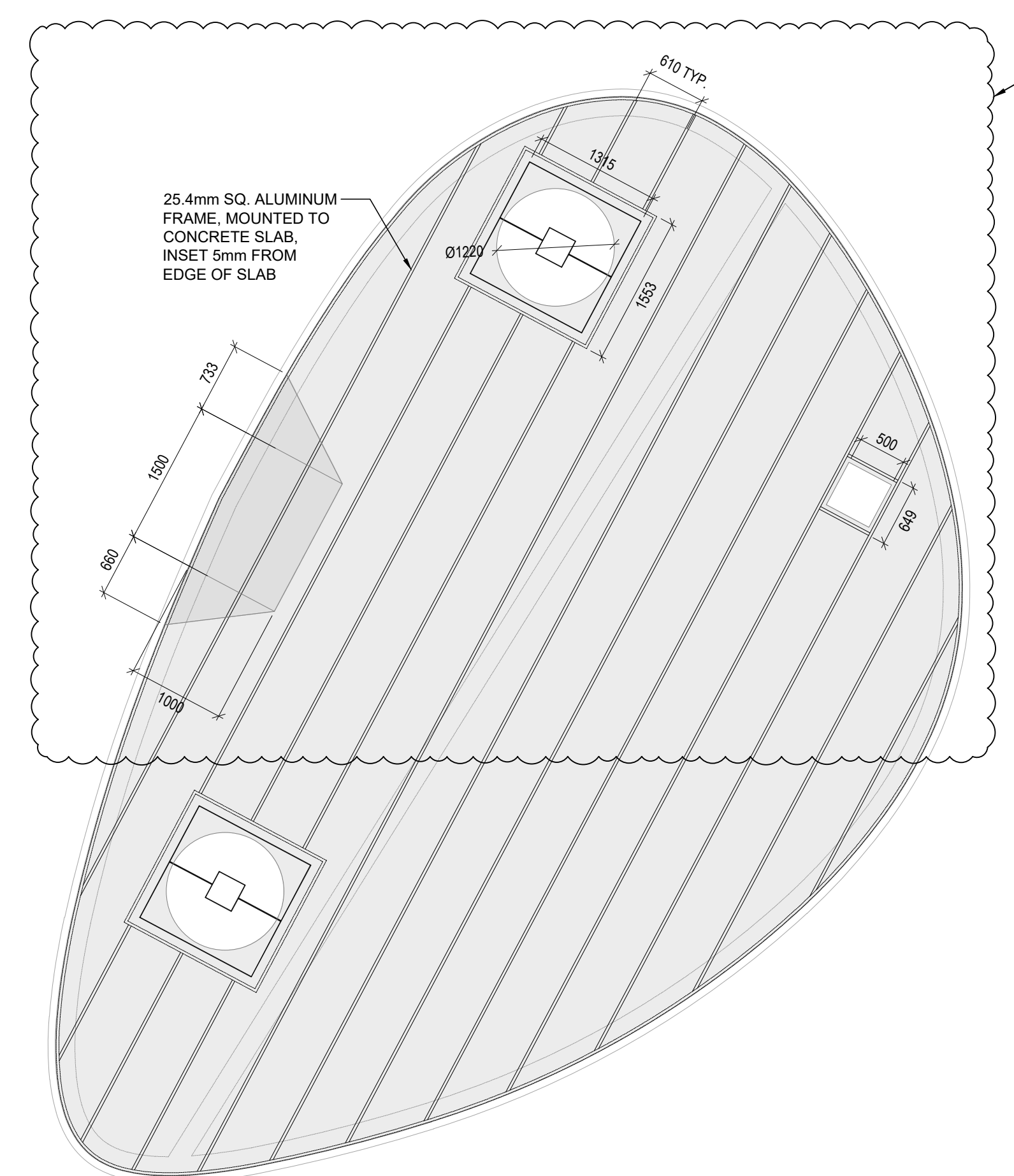
**4 EMBEDDED POEM ART PIECE**  
L2.1 SCALE - 1 : 150



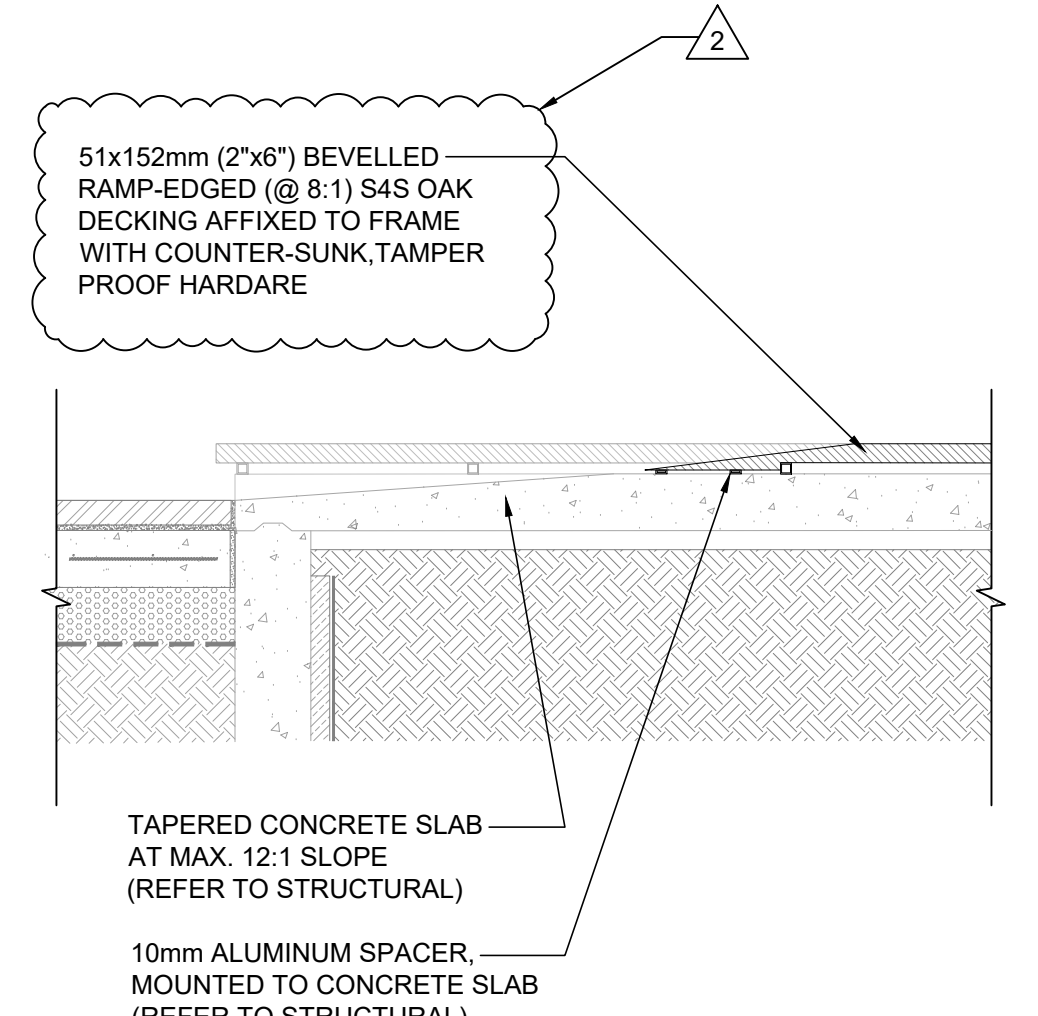
**5 EMBEDDED POEM ART PIECE DETAIL**  
L2.1 SCALE - 1 : 5



**6 PLATFORM (STAGE) SECTION**  
L2.1 SCALE - 1 : 20



**7 PLATFORM (STAGE) FRAMING PLAN**  
L2.1 SCALE - 1 : 50



**8 PLATFORM (STAGE) RAMP DETAIL**  
L2.1 SCALE - 1 : 20

**NOTES:**

- APPLICABLE CITY OF WINNIPEG STANDARDS:**
- CW 3010 - CLEARING AND GRUBBING
  - CW 3110 - SUB-GRADE, SUB-BASE AND BASE COURSE CONSTRUCTION
  - CW 3130 - SUPPLY AND INSTALLATION OF GEOTEXTILE FABRICS
  - CW 3170 - SUPPLY AND INSTALLATION OF GEOGRID
  - CW 3170 - EARTHWORK AND GRADING
  - CW 3230 - FULL-DEPTH PATCHING OF EXISTING SLABS AND JOINTS
  - CW 3235 - RENEWAL OF EXISTING MISCELLANEOUS CONCRETE SLABS
  - CW 3240 - RENEWAL OF EXISTING CURB
  - CW 3310 - PORTLAND CEMENT CONCRETE PAVEMENT WORKS
  - CW 3324 - PORTLAND CEMENT CONCRETE SIDEWALK
  - CW 3335 - INSTALLATION OF INTERLOCKING PAVEMENT STONES ON A LEAN CONCRETE BASE

REV	YY / MM / DD	DESCRIPTION	BY
2	24 / 03 / 11	ISSUED FOR ADDENDUM #4	CO
1	24 / 02 / 12	ISSUED FOR TENDER	CO

A. SECTION LETTER OR DETAIL NUMBER.	PROFESSIONAL'S SEAL
B. DRAWING WHERE SECTION OR DETAIL IS DRAWN.	
OR	
DRAWING WHERE SECTION OR DETAIL IS INDICATED.	
--- SECTION OR DETAIL SHOWN ON SAME DRAWING.	
(A B)	(A ---)

**SCATLIFF + MILLER + MURRAY**  
visionary urban design + landscapes

CONSULTANT FILE NAME	AIR CANADA PARK - DD_L3.1		
CLIENT	CITY OF WINNIPEG PLANNING, PROPERTY & DEVELOPMENT		
	AIR CANADA WINDOW PARK REDEVELOPMENT		
CITY DRAWING NUMBER	SHEET	OF	
	10	28	
<b>DETAILS</b>			
DESIGN	DRAWN	DATE - Y / M / D	SCALE
CO/YK	YK/NHCW	24 / 03 / 11	AS SHOWN
CHECKED	APPROVED	PROJECT No.	DRAWING No.
CO	CO	23-0107-002	L2.1