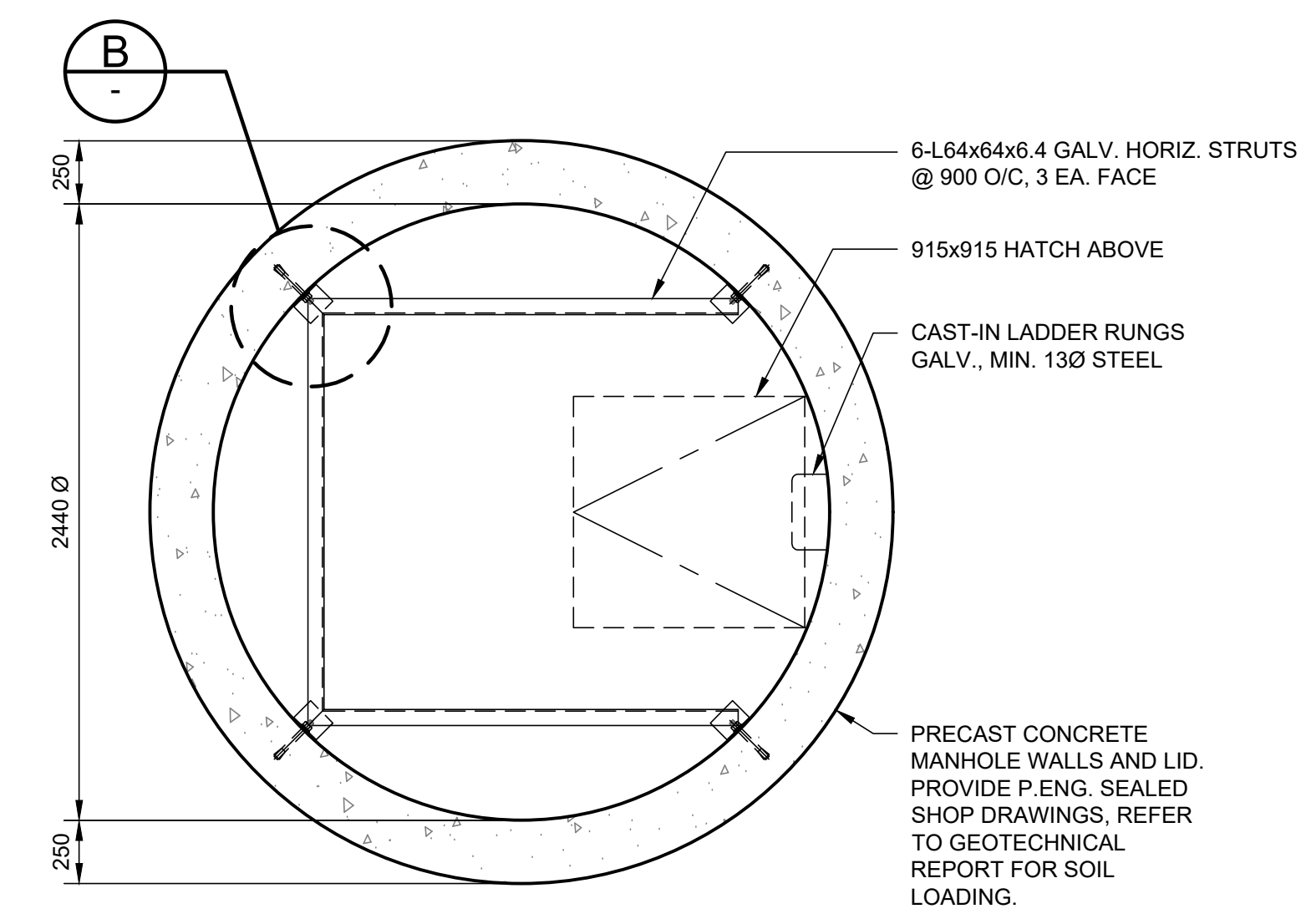
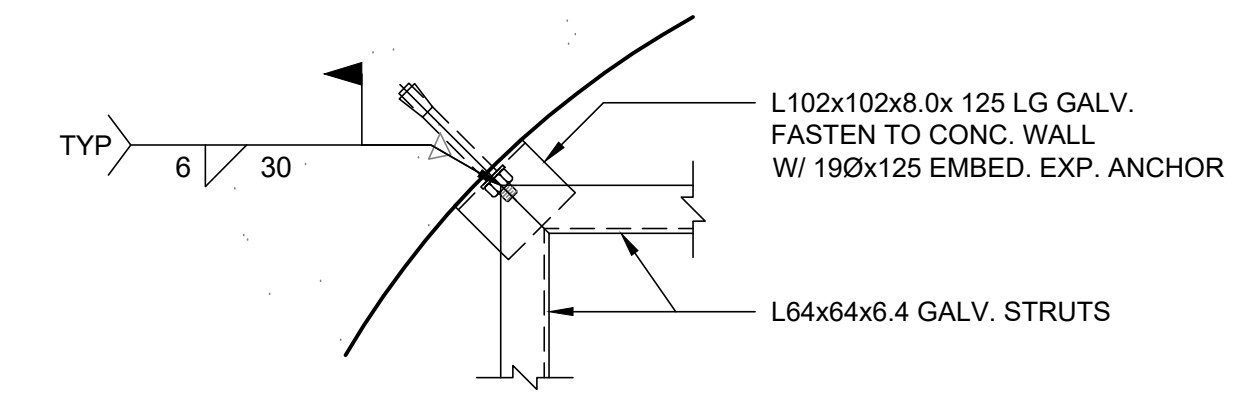


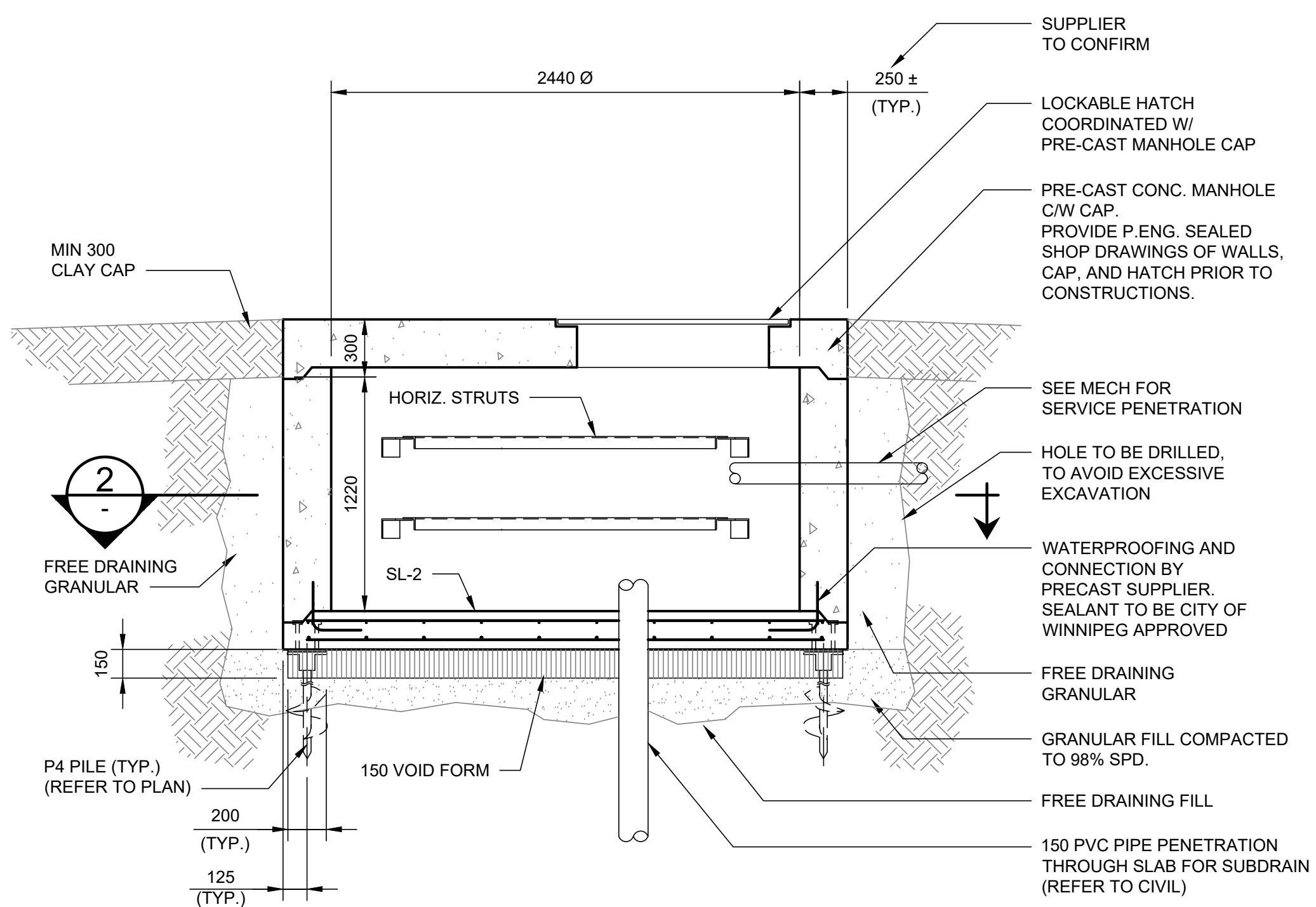
A MECHANICAL PIT PLAN
SCALE: 1:25



2 SECTION
SCALE: 1:25



B DETAIL
SCALE: 1:10



1 SECTION
SCALE: 1:25

NOTES:

PILE SCHEDULE:

P-1: 89 Ø (MIN.) GALVANIZED HELICAL PILE (MIN. 4267 LENGTH); W/ 200x200x16 THK STEEL CAP PLATE (GALV.) C/W 4-150 LG. N. STUDS

PILE DESIGN LOADS:
AXIAL: 200 kN (DOWN FACT.), 145 kN (DOWN UNFACT.)
100 kN (UPLIFT, SEE NOTE)
LATERAL: 3 kN (FACT.), 2 kN (UNFACT.)

P-2: 168 Ø (MIN.) GALVANIZED HELICAL PILE (MIN. 4267 LENGTH); W/ 300x300x16 THK STEEL CAP PLATE (GALV.) C/W (4) 19 Ø A325 BOLTS (GALV.) AT LIGHT POLE BASES CAP PLATE TO BE 450x450x16 C/W (4) 32Ø GALV. BOLTS (COORD. W/ ELECT. POLE DRAWINGS)

PILE DESIGN LOADS:
AXIAL: 20 kN (DOWN FACT.), 15 kN (DOWN UNFACT.)
185 kN (UPLIFT, SEE NOTE)
LATERAL: 11 kN (FACT.), 2 kN (UNFACT.)
MOMENT: 40 kN-m (FACT.)

P-3: CONCRETE PILE (REFER TO DETAIL)

P-4: 89 Ø (MIN.) GALVANIZED HELICAL PILE (MIN. 4267 LENGTH); W/ 200x200x16 THK STEEL CAP PLATE (GALV.) C/W 4-150 LG. N. STUDS

PILE DESIGN LOADS:
AXIAL: 75 kN (DOWN FACT.), 50 kN (DOWN UNFACT.)
100 kN (UPLIFT, SEE NOTE)
LATERAL: 3 kN (FACT.), 2 kN (UNFACT.)

NOTE: SLEEVE TOP 2440 OF PILE OR PROVIDE MEANS TO ELIMINATE FROST ADHESION FORCES. IF THIS IS DONE REDUCE UPLIFT TO 4 kN (FACT.) TYP.

GRADE BEAM SCHEDULE:

GB-1: 200x500 R/W 2-20M TOP + BOT. & 2-10M MIDHEIGHT; 10M STIRR. @ 300 O/C

GB-2: 200x950 R/W 2-20M TOP + BOT. & 2-10M MIDHEIGHT; 10M STIRR. @ 300 O/C

GB-2A: 400x822 R/W 2-20M TOP + BOT. & 2X2-10M EQUALLY SPACED + 10M STIRR. @ 300 O/C, EXTEND SKIN REINF. + TOP BARS 600 INTO GB-2 TYP.

GB-3: 400x950 R/W 2-20M TOP + BOT. & 2X2-10M EQUALLY SPACED + 10M STIRR. @ 300 O/C

GB-3A: 400x822 R/W 2-20M TOP + BOT. & 2X2-10M EQUALLY SPACED + 10M STIRR @ 300 O/C + 100x128 CURB R/W 10M VERT + 15M CONT. HORIZ. EXTEND SKIN REINF. + TOP BARS 600 INTO GB-3 TYP.

GB-4: 200x1000 R/W 2-20M TOP + BOT. & 2x2-10M HORIZ. EQUALLY SPACED SKIN REINF.; 10M STIRR. @ 300 O/C

GB-5: 200x400 R/W 2-20M TOP + BOT. & 10M STIRR @ 300 O/C. HOOK BARS INTO PERP. GRADE BEAMS

GB-6: L SHAPED GRADE BEAM, REFER TO SECTION FOR REINFORCING

GB-7: 200x400 R/W 2-20M TOP + BOT. & 10M STIRR @ 300 O/C

NOTE: ALL GRADE BEAMS EXCEPT GB-6 AND GB-7 ARE ON 150 VOID FORM TYP.

SLAB SCHEDULE:

SL-1: 100 THK R/W 10M @ 300 O/C E/W CENTERED C/W 150 VOID FORM

SL-2: 200 THK R/W 15M @ 300 O/C BOT. E/W & 10M @ 300 O/C TOP E/W C/W 150 VOID FORM

REV	YY / MM / DD	DESCRIPTION	BY
0	24 / 02 / 09	ISSUED FOR TENDER	

PROFESSIONAL'S SEAL

A. SECTION LETTER OR DETAIL NUMBER.
B. DRAWING WHERE SECTION OR DETAIL IS DRAWN.
OR
DRAWING WHERE SECTION OR DETAIL IS INDICATED
--- SECTION OR DETAIL SHOWN ON SAME DRAWING.

SCATLIFF + MILLER + MURRAY
visionary urban design + landscapes

CONSULTANT FILE NAME: AIR CANADA PARK REDEVELOPMENT

CLIENT: **CITY OF WINNIPEG**
PLANNING, PROPERTY & DEVELOPMENT

Winnipeg

AIR CANADA WINDOW PARK REDEVELOPMENT

CITY DRAWING NUMBER: SHEET OF
1 1

ENGINEERS GEOSCIENTISTS MANITOBA
Certificate of Authorization
KGS Group
No. 245

FOR TENDER ONLY
NOT TO BE USED FOR CONSTRUCTION

BID OPPORTUNITY No. 78-2024

STRUCTURAL SECTIONS AND DETAILS			
DESIGN	DRAWN	DATE - Y / M / D	SCALE
MEL	MRB	23/11/03	AS NOTED
CHECKED	APPROVED	PROJECT No.	DRAWING No.
		23-0109-004	S2.1