

Copyright Reserved

The Contractor shall verify and be responsible for all dimensions.  
 DO NOT scale the drawing - any errors or omissions shall be reported to Stantec without delay.  
 The Copyrights to all designs and drawings are the property of Stantec. Reproduction or use for any purpose other than that authorized by Stantec is forbidden.

Consultants

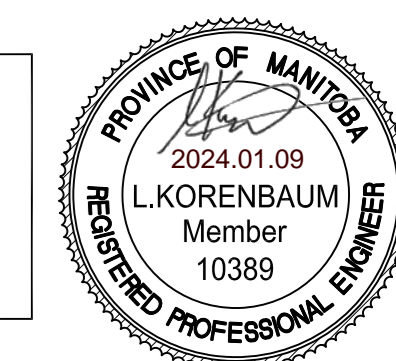
Legend

Notes

Revision	By	Appd.	YY.MM.DD
5			
4			
3			
2			
1			
A	ISSUED FOR CONSTRUCTION	HPCC	LK 2025.01.09
Issued		By	Appd.
File Name:	e-102		25.01.09
	Dwn.	Chkd.	Dsgn.

Permit-Seal

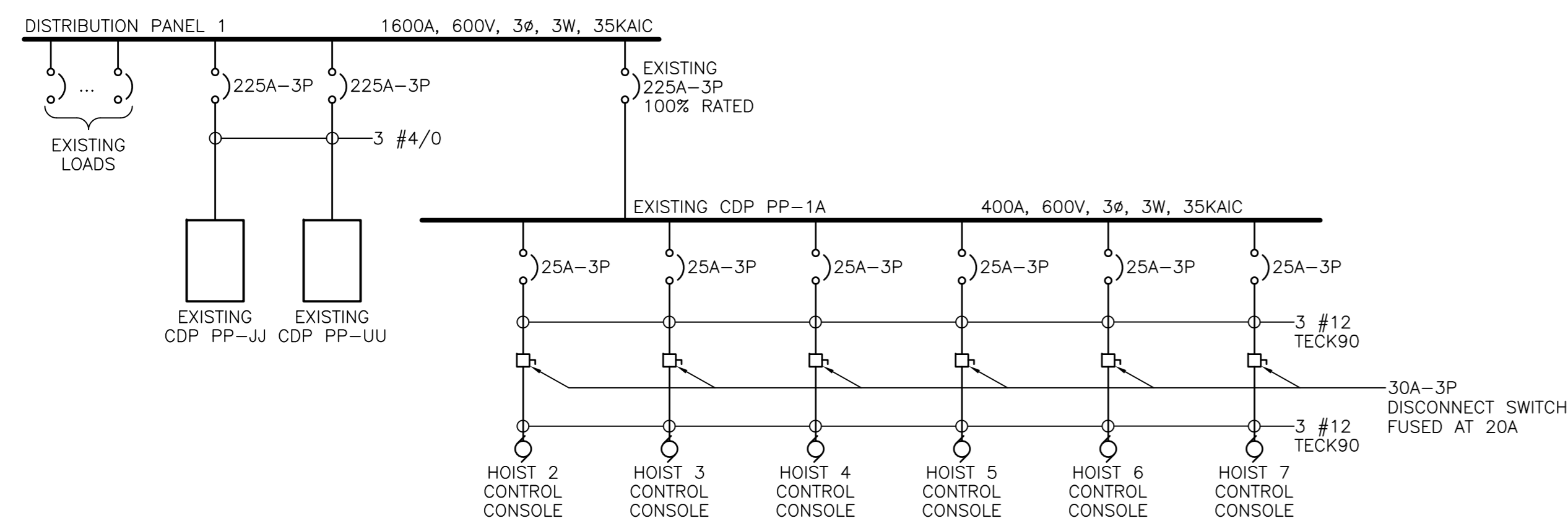
**ENGINEERS  
 GEOSCIENTISTS  
 MANITOBA**  
 Certificate of Authorization  
 Stantec Consulting Ltd.  
 No. 1301



Client/Project  
**WINNIPEG TRANSIT  
 GARAGE BUILDING**  
 HOIST REPLACEMENT PROGRAM  
 PHASE 3 - HOISTS 2 - 7  
 421 Osborne Street, Winnipeg Manitoba

Title  
**ELECTRICAL  
 PARTIAL SINGLE LINE DIAGRAM  
 & MOTOR CONTROL DETAIL**

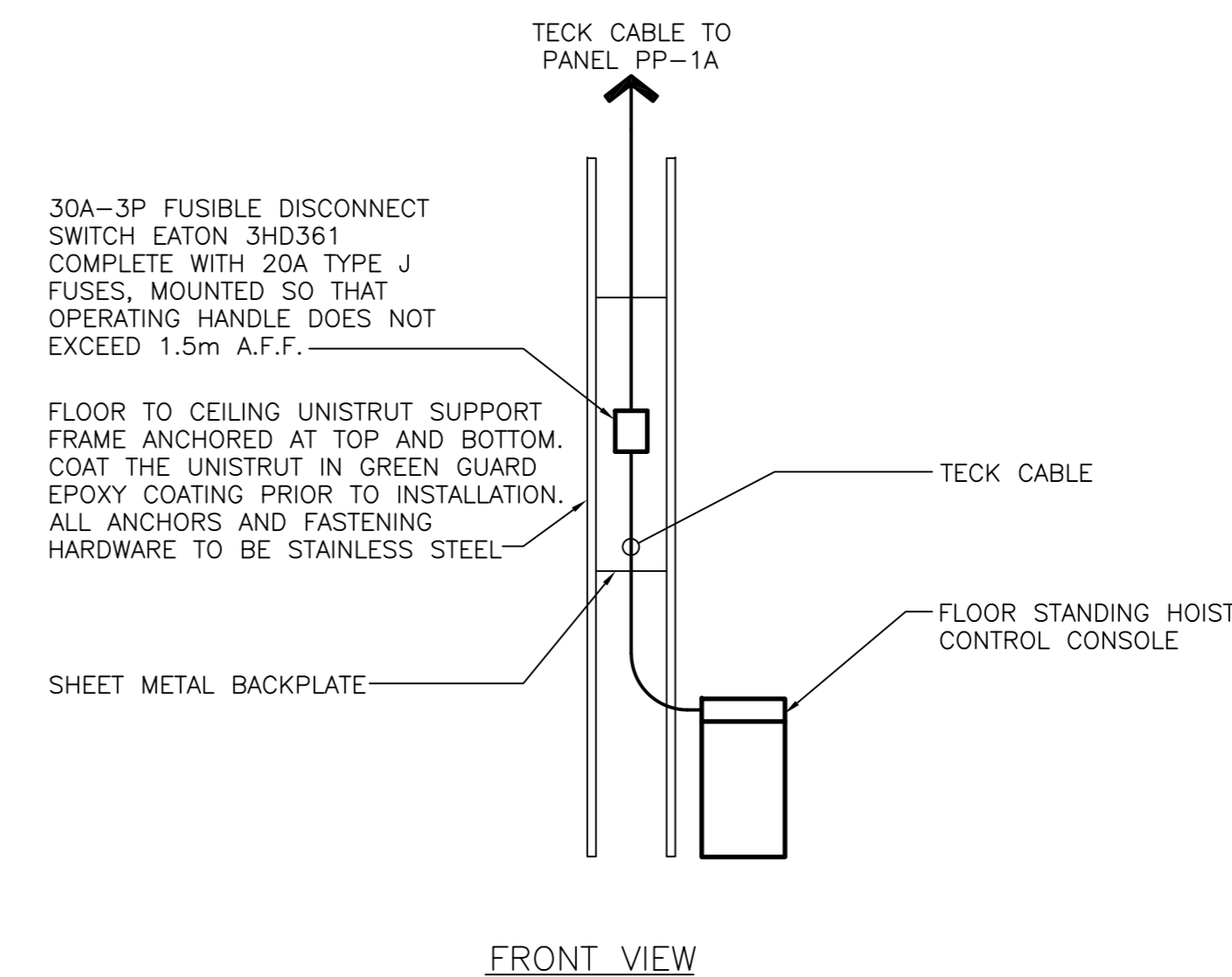
Project No. 115422050	Scale N.T.S.
Drawing No.	Sheet
	Revision



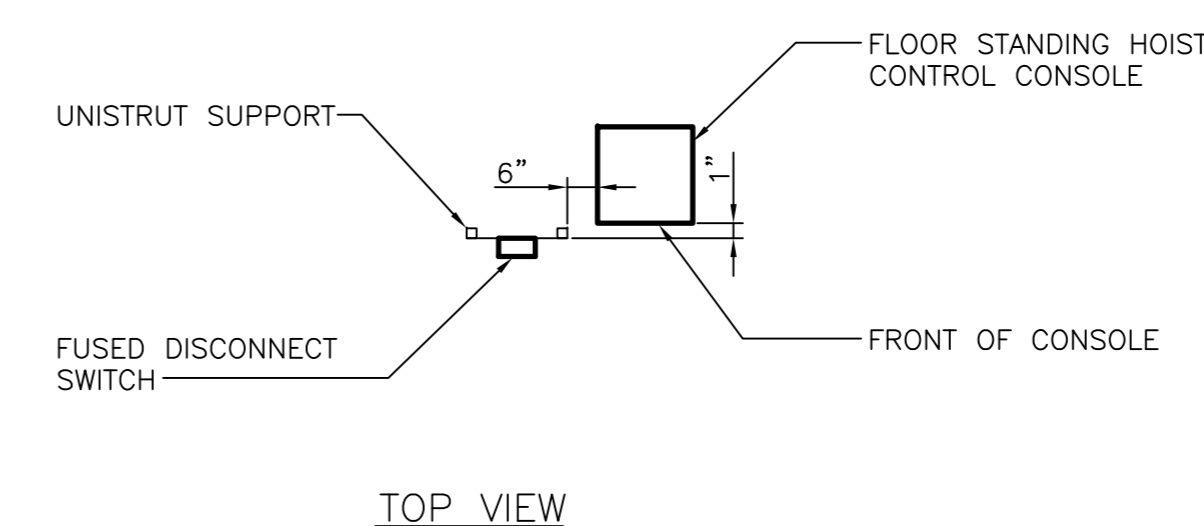
**1 PARTIAL SINGLE LINE DIAGRAM**  
 E-102 N.T.S.

NOTES:

- UTILIZE EXISTING 25A-3P SPARE CIRCUIT BREAKERS IN PANEL PP-1A.



FRONT VIEW



TOP VIEW

**2 HOIST CONTROL DETAIL**  
 E-102 N.T.S.