

Copyright Reserved
 The Contractor shall verify and be responsible for all dimensions.
 DO NOT scale the drawing - any errors or omissions shall be reported to Stantec without delay.
 The Copyrights to all designs and drawings are the property of Stantec. Reproduction or use for any purpose other than that authorized by Stantec is forbidden.

Consultants

Legend

Notes

Revision	By	Appd.	TP	YO	25.01.13
4					
3					
2					
1					
0	ISSUED FOR CONSTRUCTION				

Permit-Seal

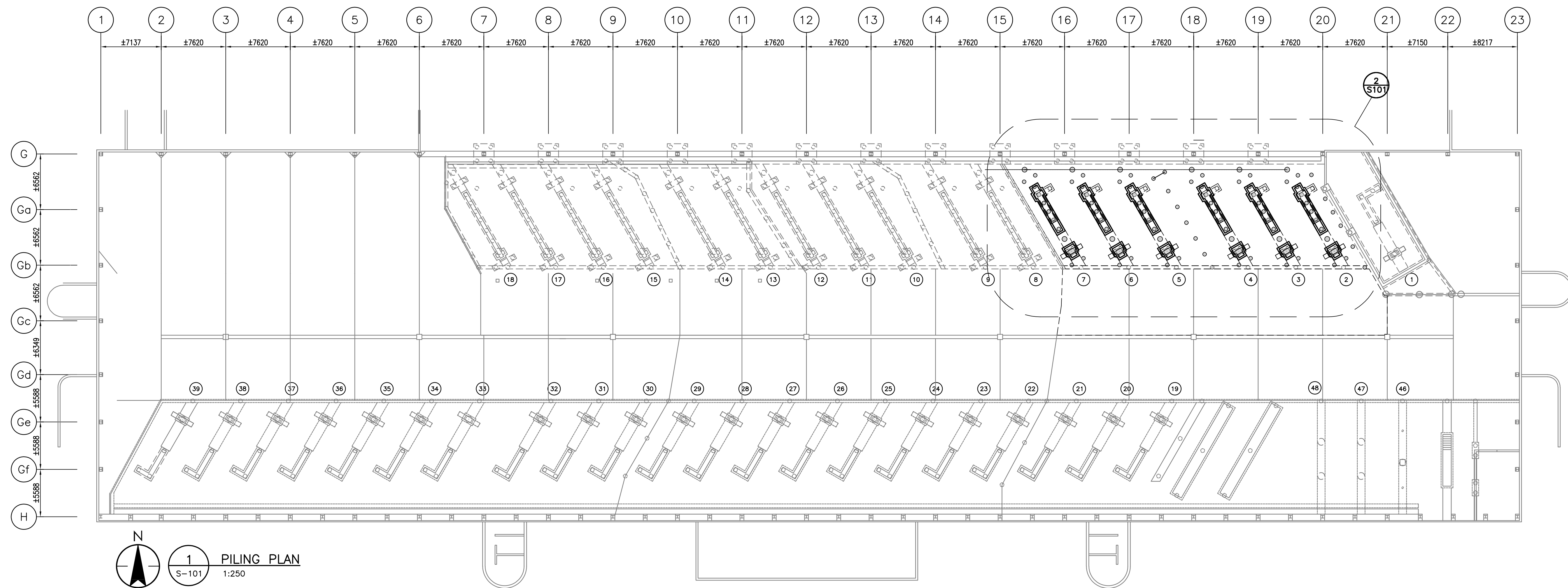


Client/Project
WINNIPEG TRANSIT GARAGE BUILDING
 HOIST REPLACEMENT PROGRAM
 PHASE 3 - HOISTS 2 - 7
 421 Osborne Street, Winnipeg Manitoba

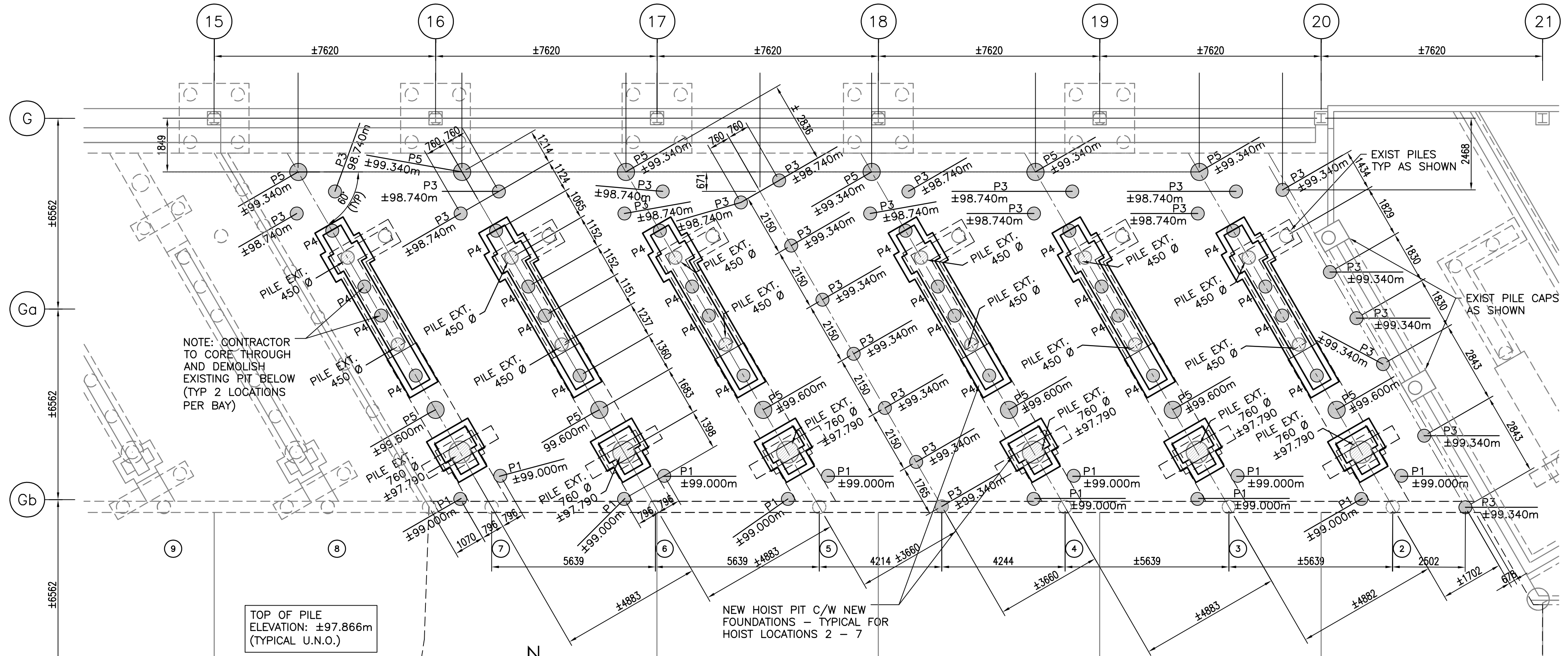
Title
PILING PLAN

Project No. 115422050 Scale
 Drawing No. Sheet Revision

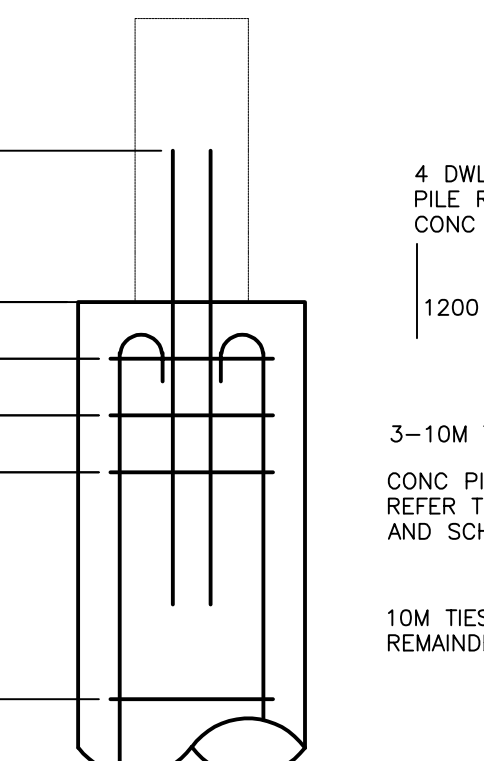
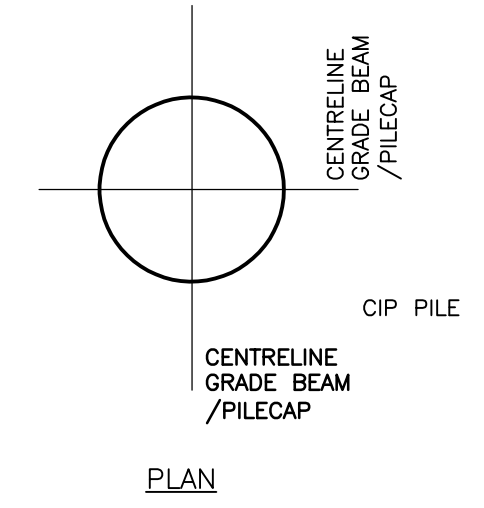
880-2024 S-101 of 0



1 PILING PLAN
 S-101 1:250



2 PARTIAL PILING PLAN
 S-101 1:100



A TYPICAL PILE DETAIL
 S-102 1:20

CAST-IN-PLACE PILE SCHEDULE			
TYPE	SHAFT Ø (mm)	LENGTH (mm)	VERTICAL REINFORCING
P1	450	8000	5-15M VERTS
P2	-	-	NOT USED
P3	500	12000	6-15M VERTS
P4	450	12000	5-15M VERTS
P5	600	12000	8-15M VERTS

NOTE: REFER TO TYPICAL PILE DETAIL FOR 10M TIES
 NOTE: REINFORCE PILES FOR UPPER 6 METERS OF PILE LENGTH

U:\115422050\Drawings\Arch\103_structural\02_cool\03_piling\22050_S-101.dwg S-101
 2025/01/13 12:12 PM By: P.Hallman, Thomas