

4				
3				
2				
1				
0	ISSUED FOR CONSTRUCTION	TP	YO	25.01.13
Revision		By	Appd.	YY.MM.DD
E				
D				
C				
B				
A				
Issued		By	Appd.	YY.MM.DD
File Name: 22050_s-301		25.01.13		
	Dwn.	Chkd.	Dsgn.	YY.MM.DD



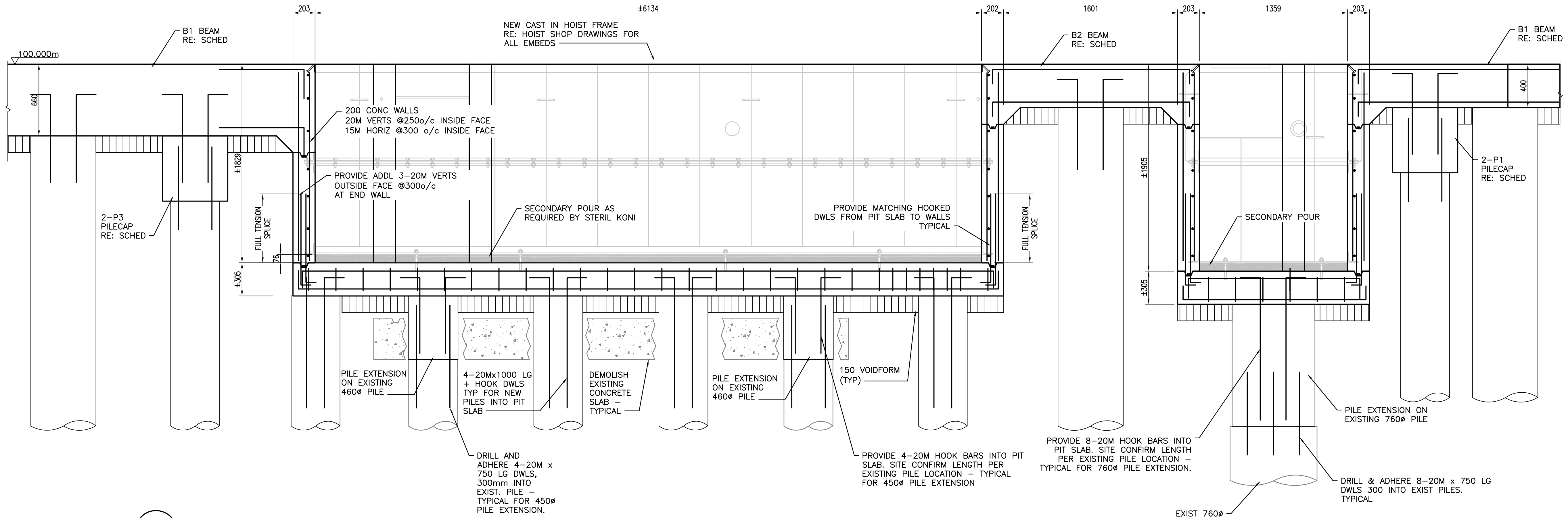
Client/Project
WINNIPEG TRANSIT GARAGE BUILDING
 HOIST REPLACEMENT PROGRAM
 PHASE 3 - HOISTS 2 - 7
 421 Osborne Street, Winnipeg Manitoba

Title
SECTIONS AND DETAILS

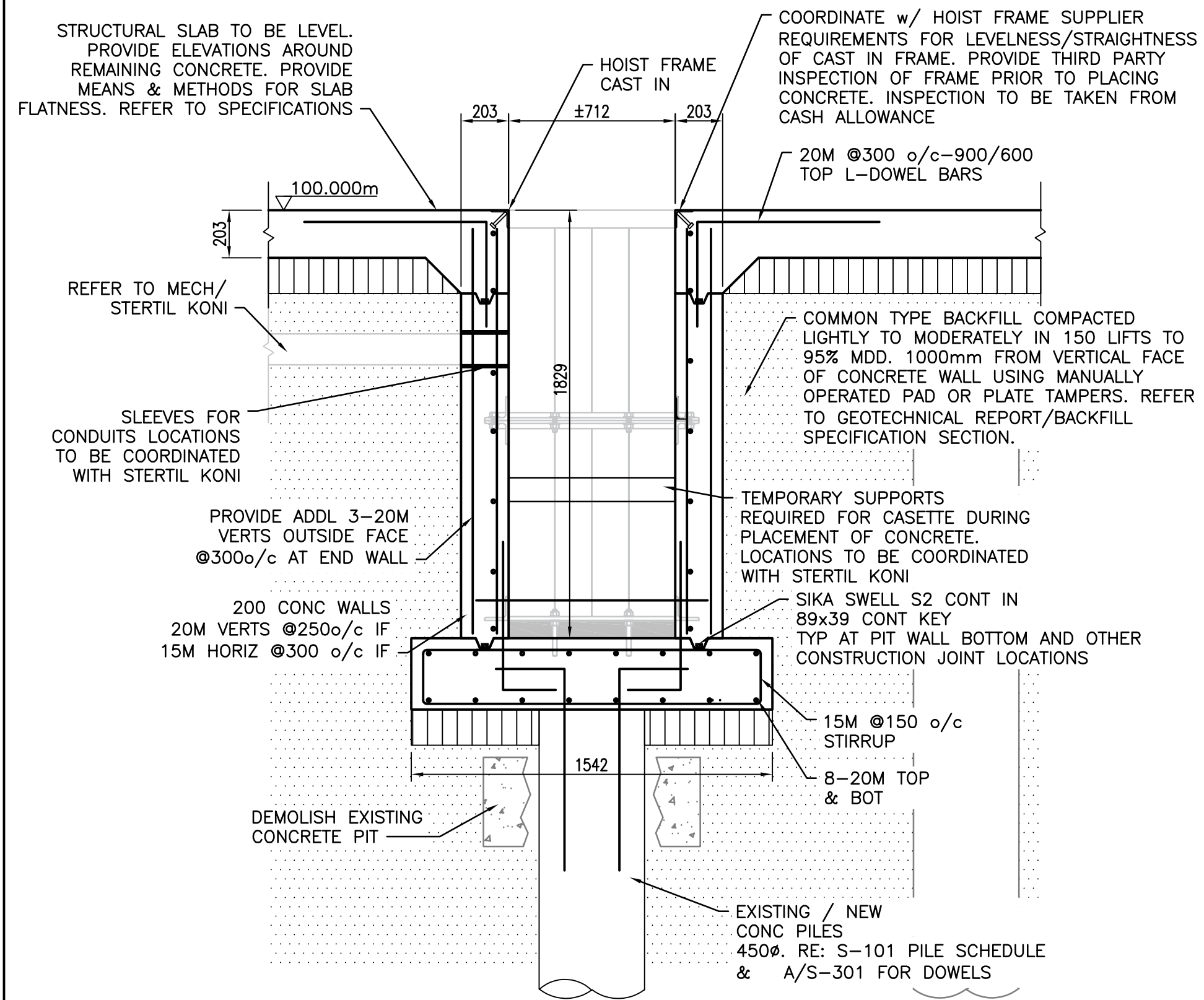
Project No. 115422050 Scale

Drawing No. Sheet Revision

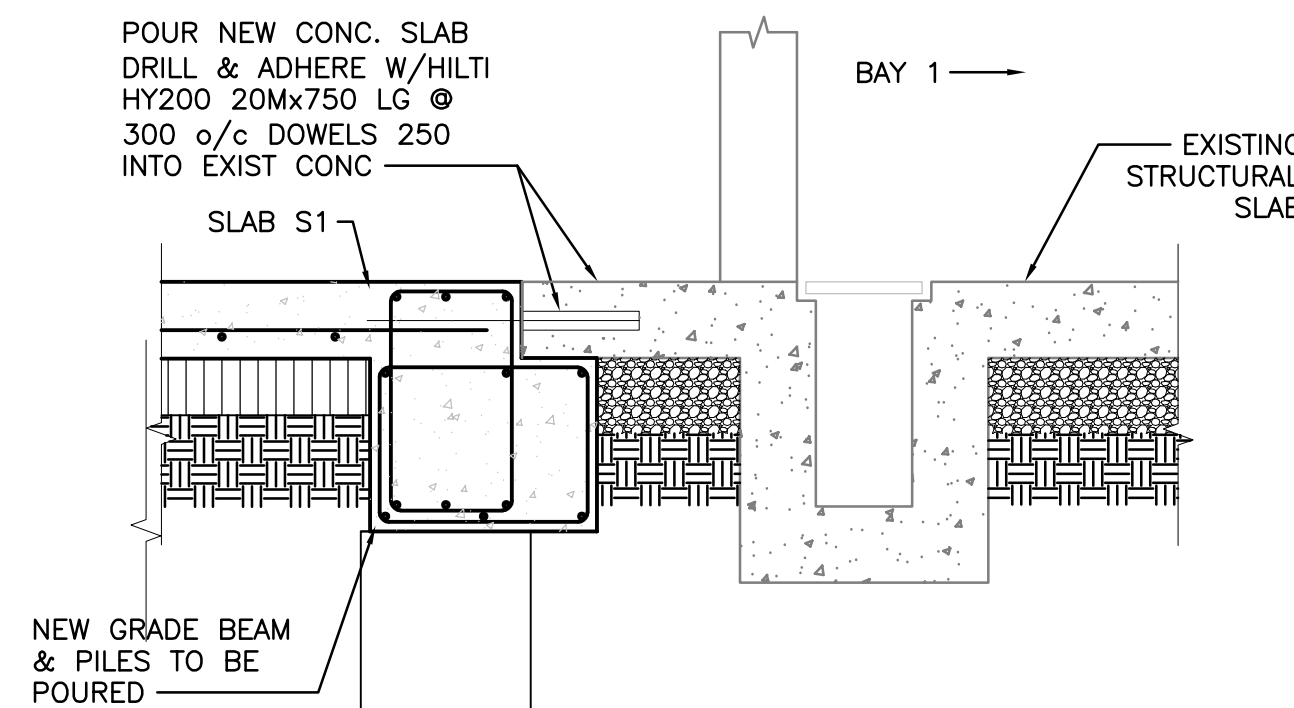
NOTE: COORDINATE PIT INSTALLATION AND CAST-IN FRAME INSTALLATION w/ HOIST SUPPLIER CONSTRUCTION TO BE LEVEL & STRAIGHT PER HOIST SUPPLIER RECOMMENDATIONS.



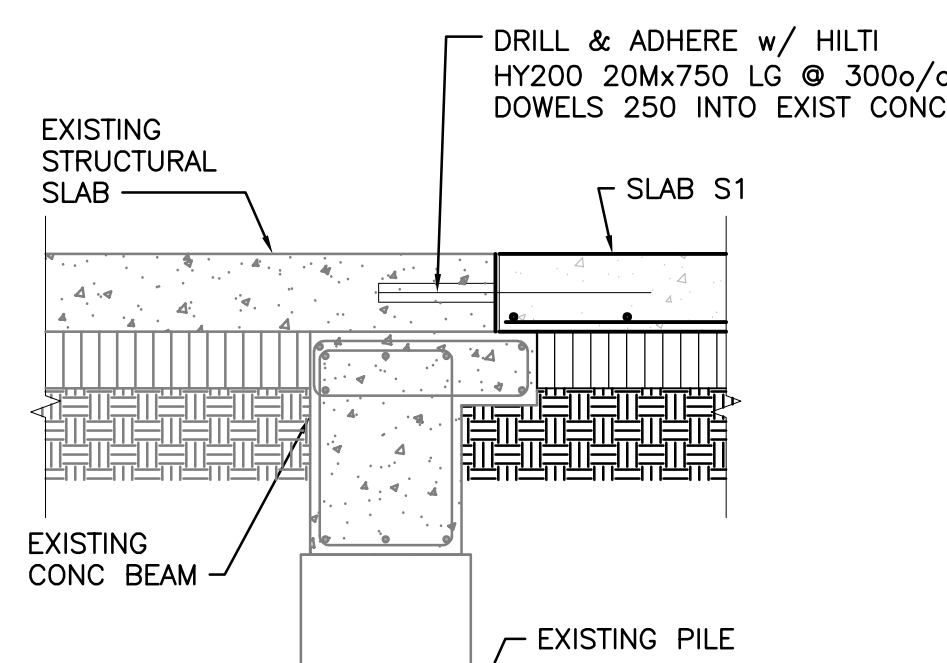
A SECTION
 S-301 1:20



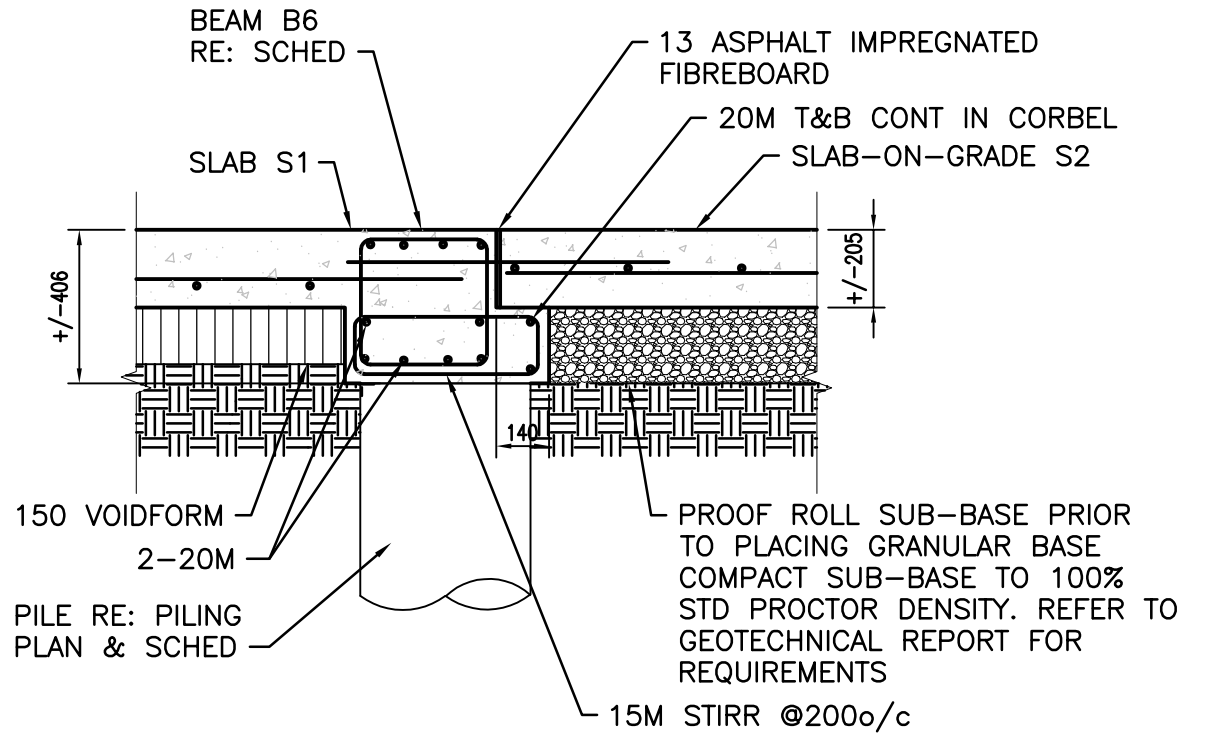
B SECTION - TYPICAL PIT REINFORCING
 S-301 1:20



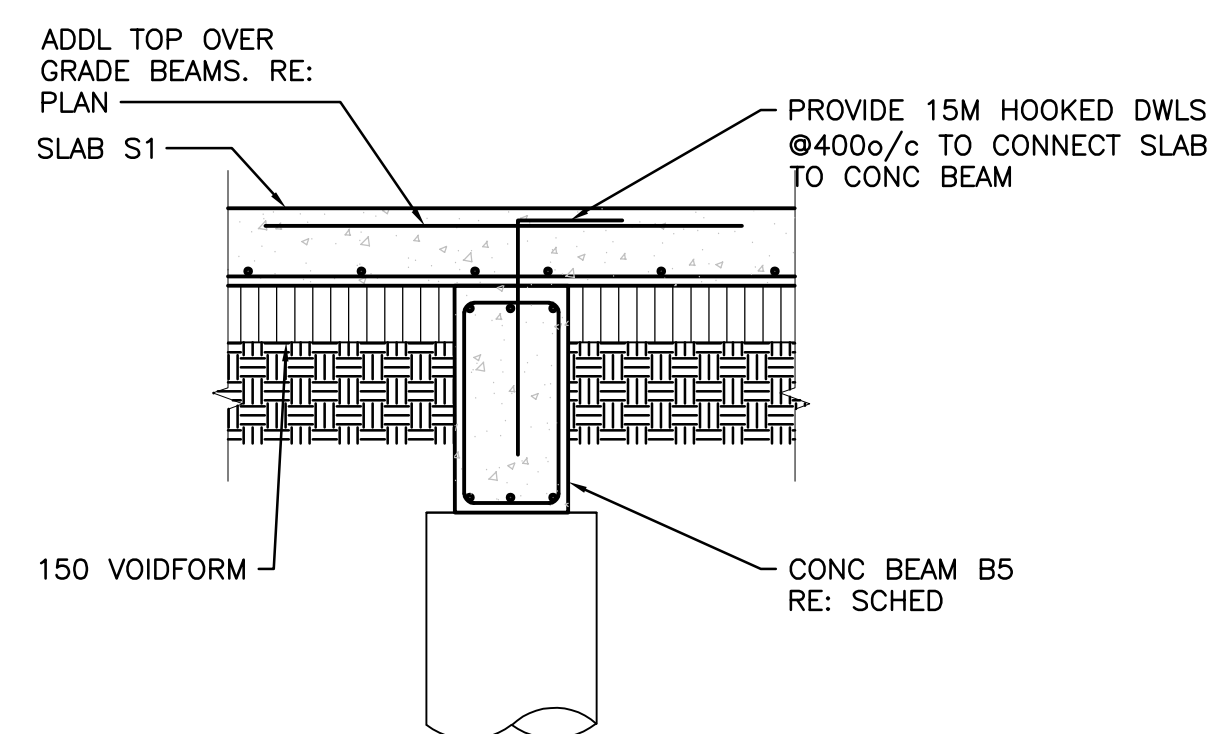
C SECTION - DIVIDING WALL
 S-301 1:20



D SECTION - TRENCH
 S-301 1:20



E SECTION
 S-301 1:20



F SECTION
 S-301 1:20

G SECTION
 S-301 1:20