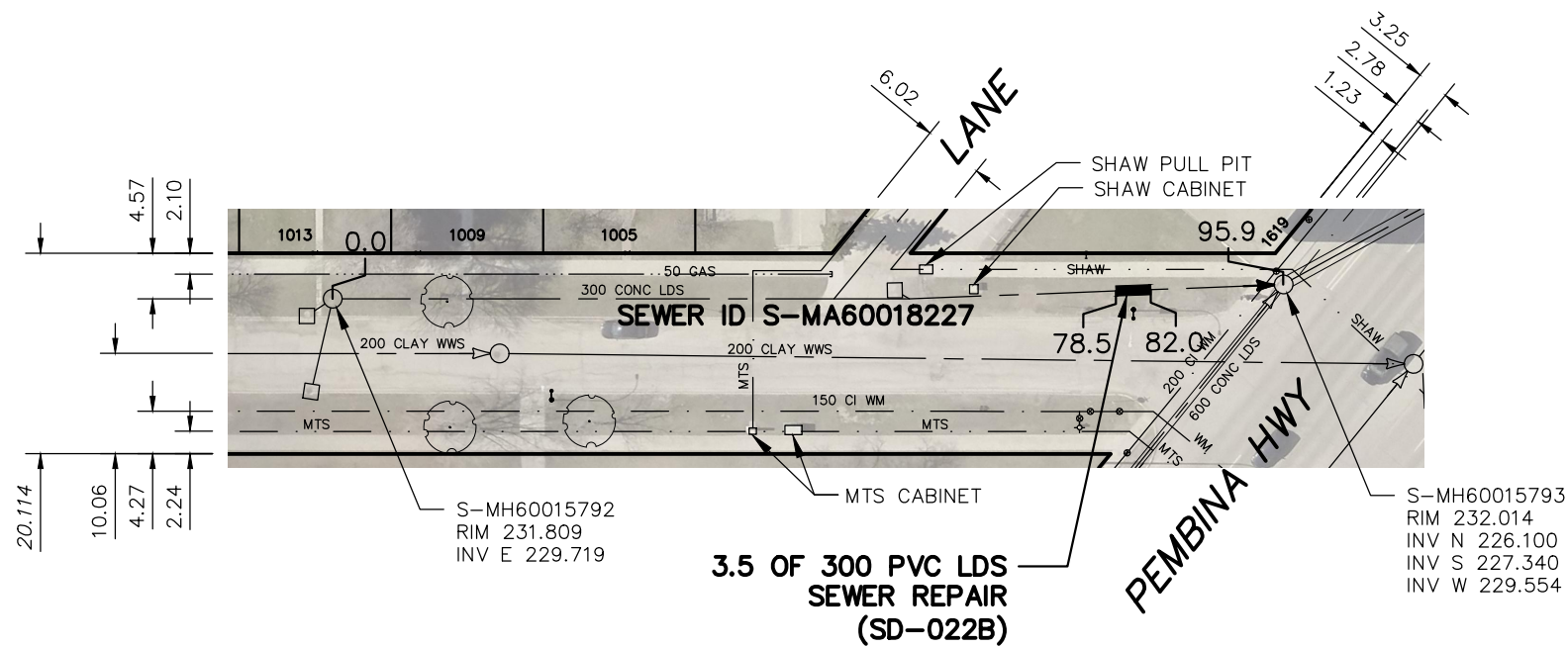




# MANAHAN AVENUE



SEWER JUNCTION INFORMATION FROM SEWER VIDEO INSPECTION		
SEWER ID S-MA60018227		
DISTANCE FROM MH ID MH-60015792		
DISTANCE	DIAMETER	CLOCK
*** NO SERVICE JUNCTIONS ***		

**NOTE:**  
**CROSSBORE CONDUIT.**  
**COORDINATE WITH UTILITY OWNER TO HAVE MOVED**

### WARNING

IF POWER EQUIPMENT OR EXPLOSIVES ARE TO BE USED FOR EXCAVATION ON THIS PROJECT THE CONTRACTOR MUST:

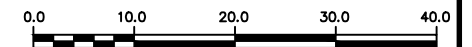
- 1) NOTIFY THE GAS COMPANY OF THE PROPOSED LOCATION OF EXCAVATION.
- 2) TAKE PRECAUTION TO AVOID DAMAGE TO GAS COMPANY INSTALLATIONS.

SEE PROVINCIAL REGULATION 210/72 FOR DETAILS

FOR INDEX SEE 13387

### METRIC

WHOLE NUMBERS INDICATE MILLIMETRES  
 DECIMALIZED NUMBERS INDICATE METRES



### LOCATION APPROVED UNDERGROUND STRUCTURES

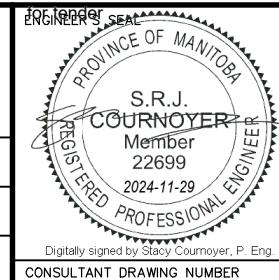
SUPV. U/G STRUCTURES COMMITTEE	DATE

**NOTE:**

LOCATION OF UNDERGROUND STRUCTURES AS SHOWN ARE BASED ON THE BEST INFORMATION AVAILABLE BUT NO GUARANTEE IS GIVEN THAT ALL EXISTING UTILITIES ARE SHOWN OR THAT THE GIVEN LOCATIONS ARE EXACT. CONFIRMATION OF EXISTENCE AND EXACT LOCATION OF ALL SERVICES MUST BE OBTAINED FROM THE INDIVIDUAL UTILITIES BEFORE PROCEEDING WITH CONSTRUCTION.

B.M. ELEV.	NO.	REVISIONS	DATE	BY
	00	ISSUED FOR TENDER	2024/11/28	SC

DESIGNED BY	RG	CHECKED BY	SC
DRAWN BY	AOM	APPROVED BY	SC
SCALE:		RELEASED FOR CONSTRUCTION	
HORIZONTAL	1:750		
VERTICAL			
DATE	2024 11 28	DATE	



CONSULTANT DRAWING NUMBER



## THE CITY OF WINNIPEG

WATER AND WASTE DEPARTMENT  
 ENGINEERING DIVISION

2024 SEWER RENEWALS  
 and EXTERNAL POINT REPAIRS  
**MANAHAN AVENUE**  
 1ST MH W OF PEMBINA HIGHWAY TO  
 MH AT PEMBINA HIGHWAY (W R)

SHEET 20 OF 33  
 CITY DRAWING NUMBER

13406

PLOT DATE: 2024 11 28

BID OPPORTUNITY: 968-2024  
 CONTRACT NUMBER: 7

FILE PATH: R:\DRAWINGS\SEWER\2024 RENEWALS\968-2024 Cont #7\CONSTRUCTION DWGS\  
 FILE NAME: MANAHAN AV\_S-MA60018227.dwg