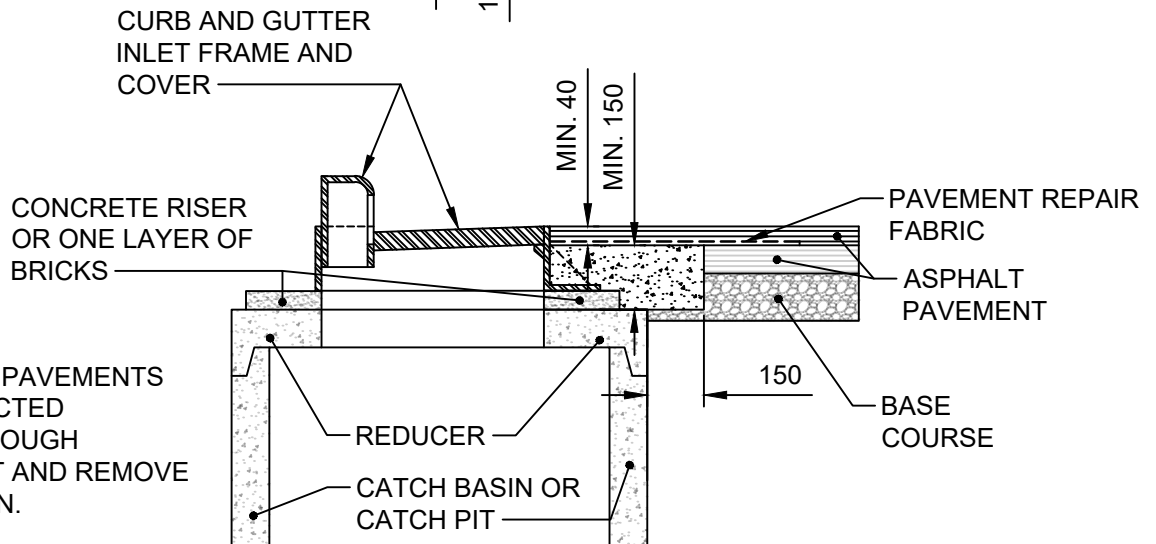
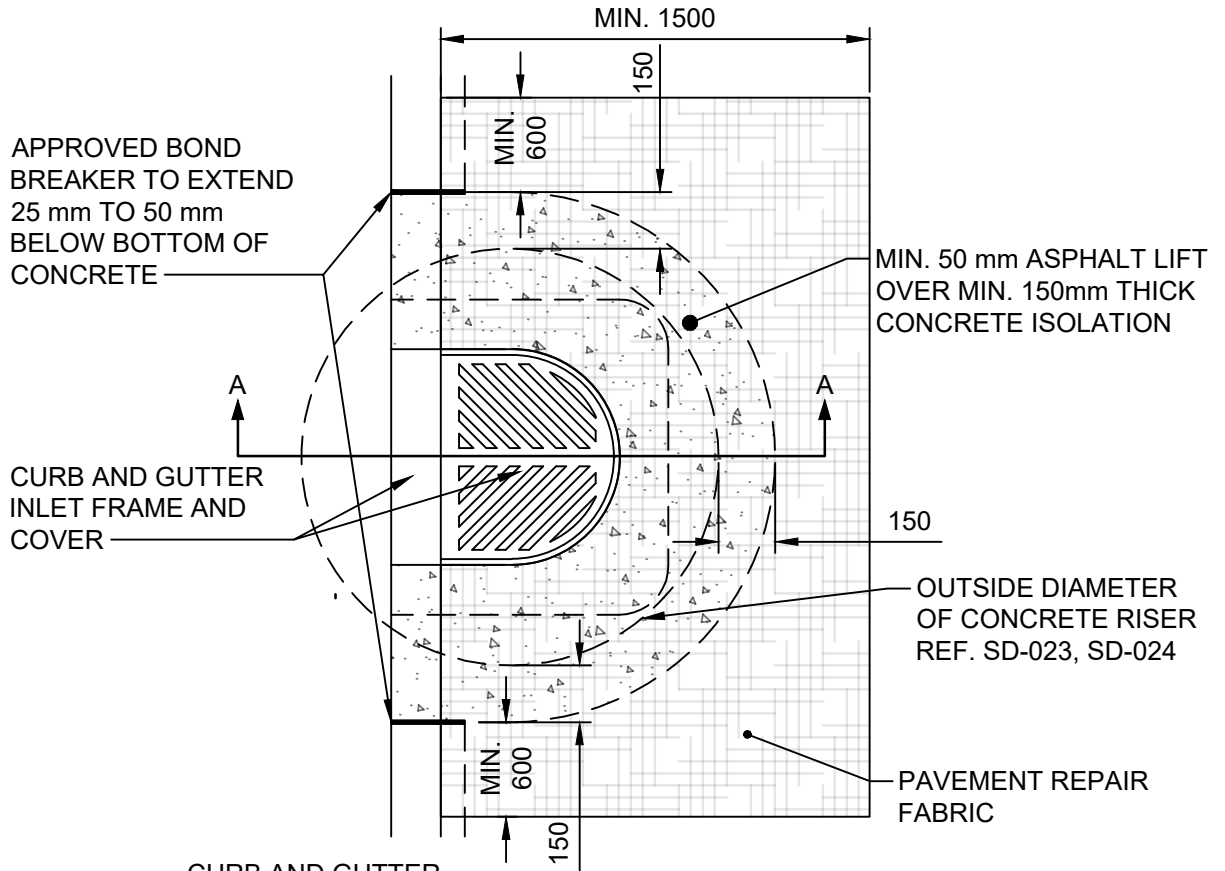


**APPENDIX 'G' – STANDARD DETAIL DRAWING FOR INLET ISOLATION FOR
ASPHALT PAVEMENTS: SD-220D**



NOTE:

CURB FOR ASPHALT PAVEMENTS SHALL BE CONSTRUCTED CONTINUOUSLY THROUGH ISOLATION. SAW CUT AND REMOVE CURB FOR ISOLATION.

SECTION A-A

DIMENSIONS IN MILLIMETRES



THE CITY OF WINNIPEG
PUBLIC WORKS DEPARTMENT

Reference Spec. No.
CW 3325

Revisions			
No.	Date	Description	By
1.	FEB 25	ADDED ROUNDED FRAME	T.K.

CURB AND GUTTER INLET
ISOLATION DETAIL FOR
ASPHALT PAVEMENTS

Designed By: A.G.	Drawn By: R.B.	Scale : N.T.S.
Checked By: B.K.	Date: 2024-10-01	Drawing No. SD-220D
Approved: PAVEMENT MANAGEMENT BRANCH		DRAFT