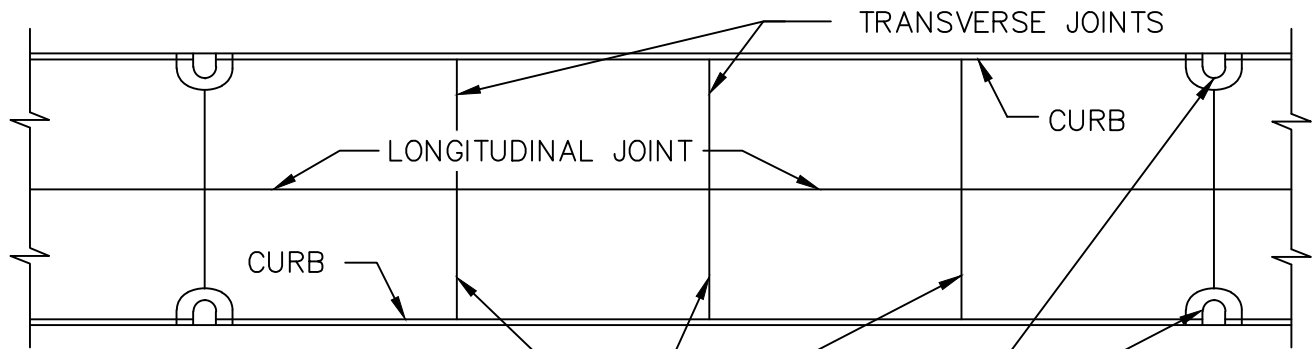


APPENDIX 'J' – STANDARD DETAIL DRAWING FOR INLET ISOLATION: SD-220C



TRANSVERSE JOINT SPACING TO BE ADJUSTED SO THAT JOINT FALLS ON CENTRE OF CURB AND GUTTER INLET ISOLATION

CURB AND GUTTER INLETS

NOTE:

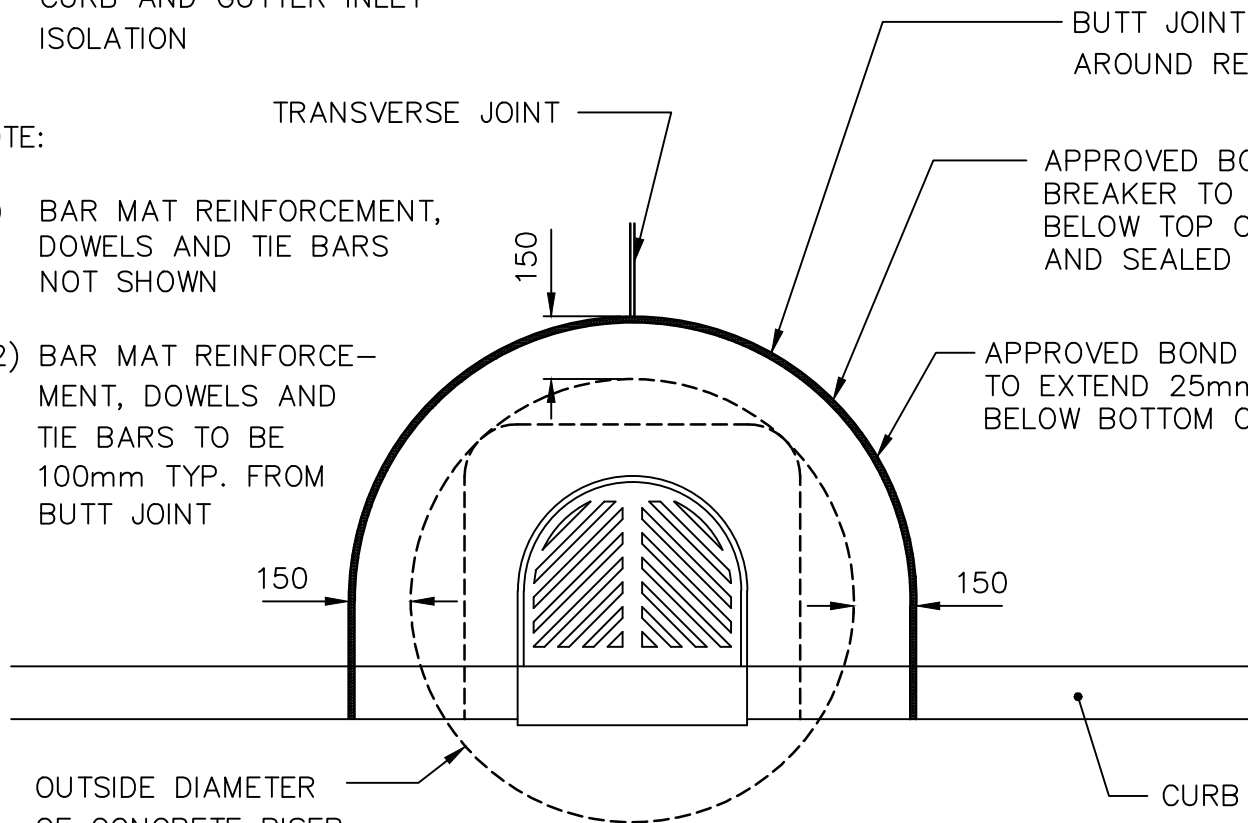
- 1) BAR MAT REINFORCEMENT, DOWELS AND TIE BARS NOT SHOWN
- 2) BAR MAT REINFORCEMENT, DOWELS AND TIE BARS TO BE 100mm TYP. FROM BUTT JOINT

TRANSVERSE JOINT

BUTT JOINT ALL AROUND REF. SD-212

APPROVED BOND BREAKER TO BE BELOW TOP OF CONC. AND SEALED

APPROVED BOND BREAKER TO EXTEND 25mm-50mm BELOW BOTTOM OF CONC.



OUTSIDE DIAMETER OF CONCRETE RISER
REF. SD-023
SD-024

DIMENSIONS IN MILLIMETRES



THE CITY OF WINNIPEG
PUBLIC WORKS DEPARTMENT

Reference Spec. No.
CW 3210, CW 3230, CW 3310

Revisions

No.	Date	Description	By
1.	FEB 25	ADDED ROUNDED FRAME	T.K.

CURB AND GUTTER INLET
ISOLATION DETAIL

Designed By: L.S.W.L. / K.T.	Drawn By: T.G.A	Scale : N.T.S.
Checked By: B.P.	Date: 2024-10-01	Drawing No. SD-220C
Approved: PAVEMENT MANAGEMENT BRANCH		