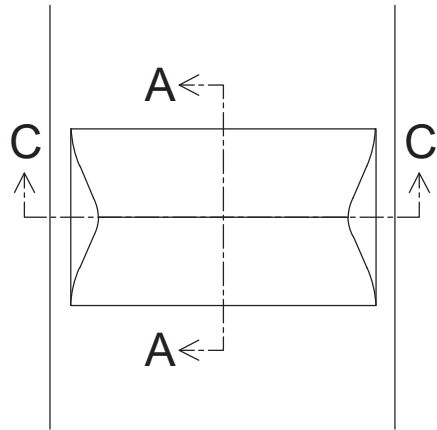
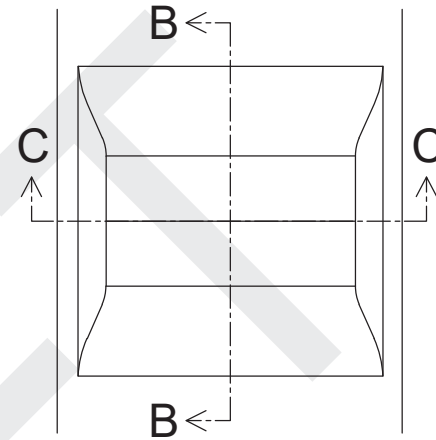


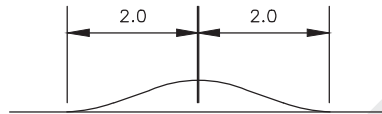
APPENDIX 'B' – STANDARD DRAWING: SI-17



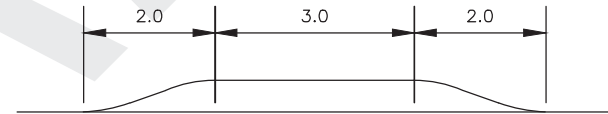
SPEED HUMPS



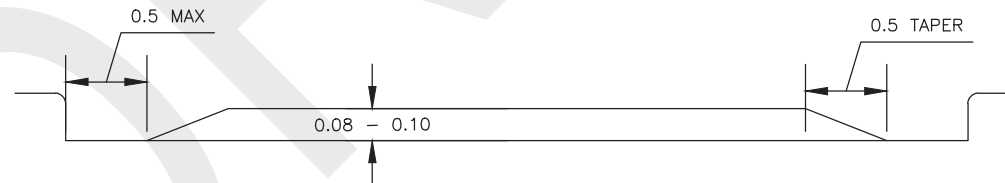
SPEED TABLE



SECTION A-A



SECTION B-B



SECTION C-C

DRAFT



THE CITY OF WINNIPEG
PUBLIC WORKS DEPARTMENT
TRANSPORTATION DIVISION

**TYPICAL SPEED HUMPS
AND SPEED TABLES DETAILS**

DRAWN BY: GSP
DATE: 2020-07-30

SCALE: N.T.S.

APPROVED BY: _____ DATE _____

DRAWING NO. SI-17