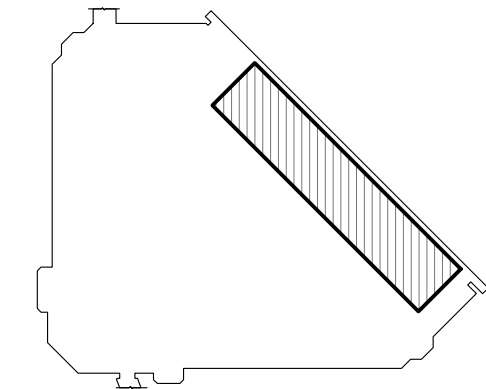


PARTIAL SECOND FLOOR PLAN
1/8" = 1'-0"



KEY PLAN:

- APPROXIMATE LINE OF CONSTRUCTION HOARDING (TO BE SITE CONFIRMED)
- - - - - EXISTING GUARDRAIL TO BE REMOVED AND REPLACED

KEY NOTES:

- ◆ INSTALL GLAZING PANELS AND RAILINGS PER MANUFACTURER'S INSTRUCTIONS AND STRUCTURAL DRAWINGS. REFER TO STRUCTURAL DRAWINGS FOR GLASS PANE SIZE AND SPACING.

No.	Date	ISSUED FOR CONSTRUCTION	By
1	2026-01-12	ISSUED FOR CONSTRUCTION	KT

Drawn By: KT
Printing Date: 2026.01.12



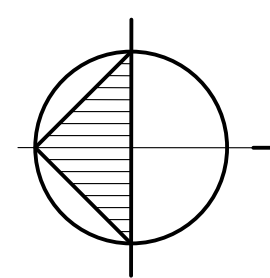
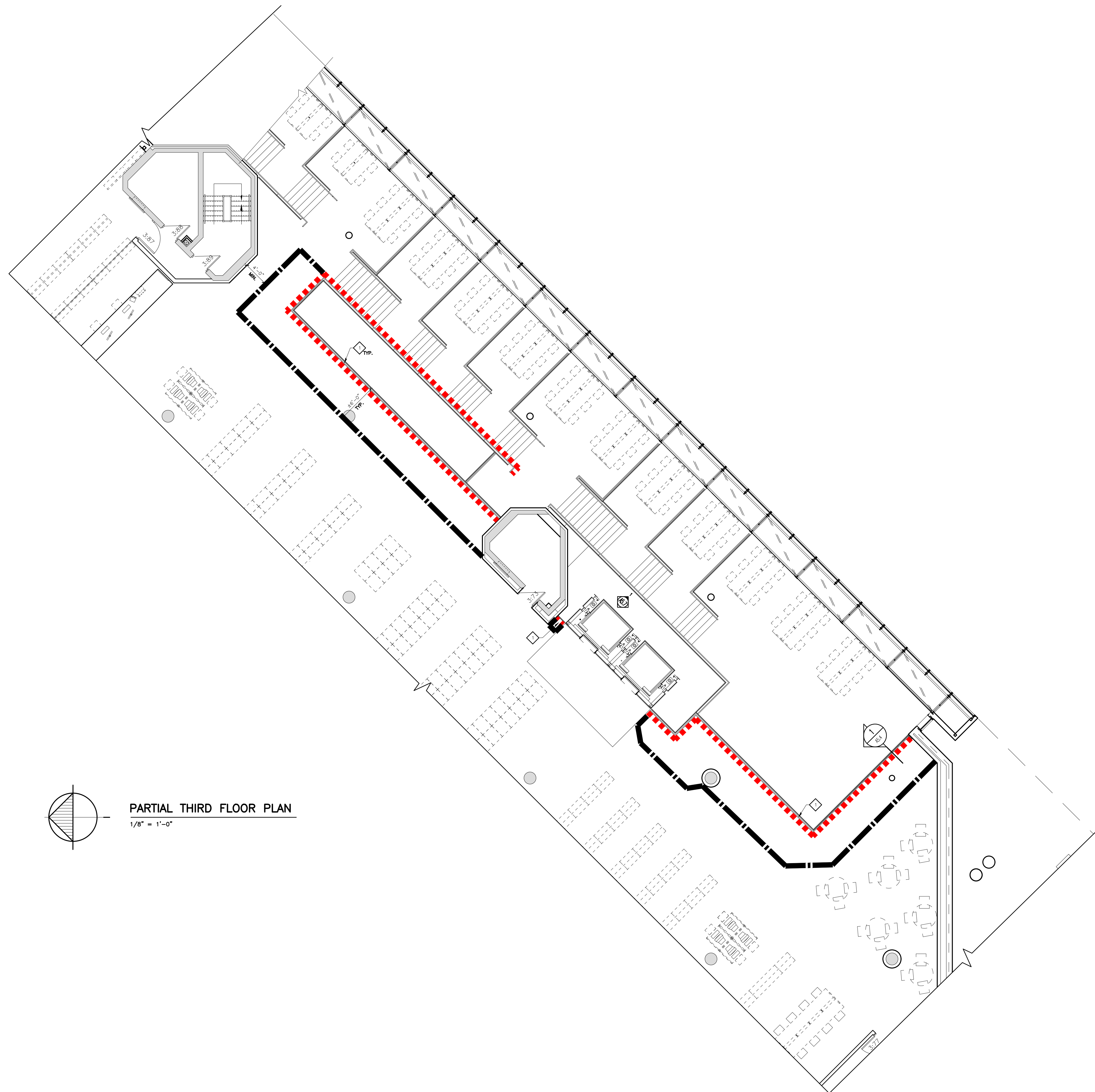
Drawings and specifications, as instruments of service are the property of the architects; the copyright in the same being reserved to them. No reproduction may be made without the permission of the architects, and when made, must bear their names. All prints to be returned.

The contractor is to verify dimensions and data noted herein with conditions on the site and is held responsible for reporting any discrepancy to the architects for adjustment.

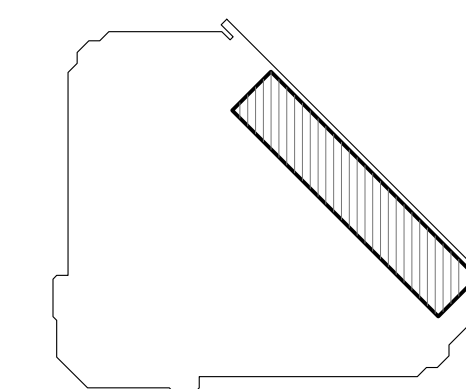


**MILLENNIUM LIBRARY
GUARDRAIL UPGRADE**
251 Donald Street, Winnipeg

SECOND FLOOR PLAN



PARTIAL THIRD FLOOR PLAN
1/8" = 1'-0"



KEY PLAN:

- APPROXIMATE LINE OF CONSTRUCTION HOARDING (TO BE SITE CONFIRMED)
- EXISTING GUARDRAIL TO BE REMOVED AND REPLACED

KEY NOTES:

- INSTALL GLAZING PANELS AND RAILINGS PER MANUFACTURER'S INSTRUCTIONS AND STRUCTURAL DRAWINGS. REFER TO STRUCTURAL DRAWINGS FOR GLASS PANE SIZE AND SPACING.

No.	Date	Issue / Revision	By
1	2026-01-12	ISSUED FOR CONSTRUCTION	KT

Drawn By: KT
Printing Date: 2026.01.12

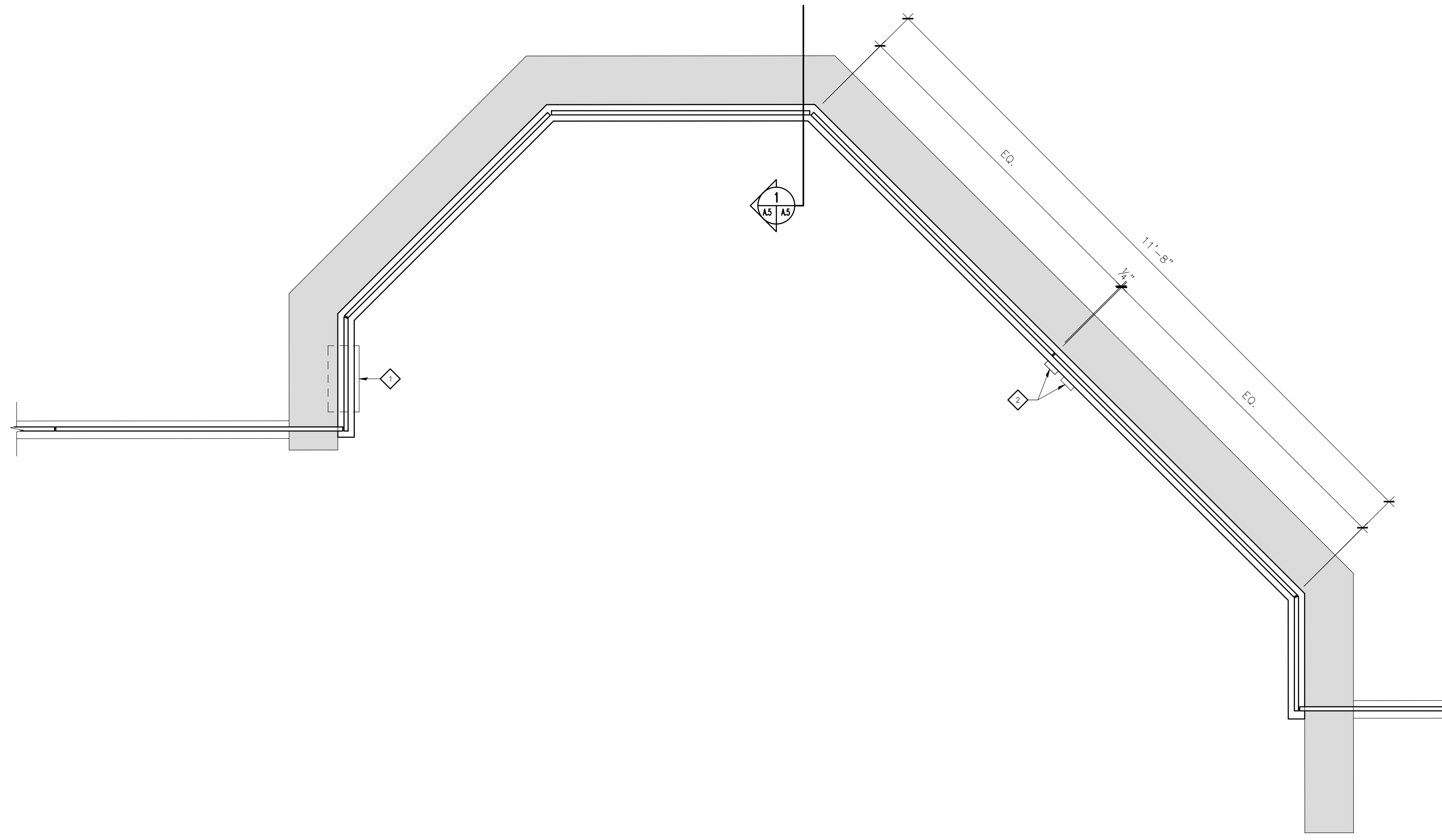


Drawings and specifications, as instruments of service are the property of the architects; the copyright in the same being reserved to them. No reproduction may be made without the permission of the architects, and when made, must bear their names. All prints to be returned.
The contractor is to verify dimensions and data noted herein with conditions on the site and is held responsible for reporting any discrepancy to the architects for adjustment.

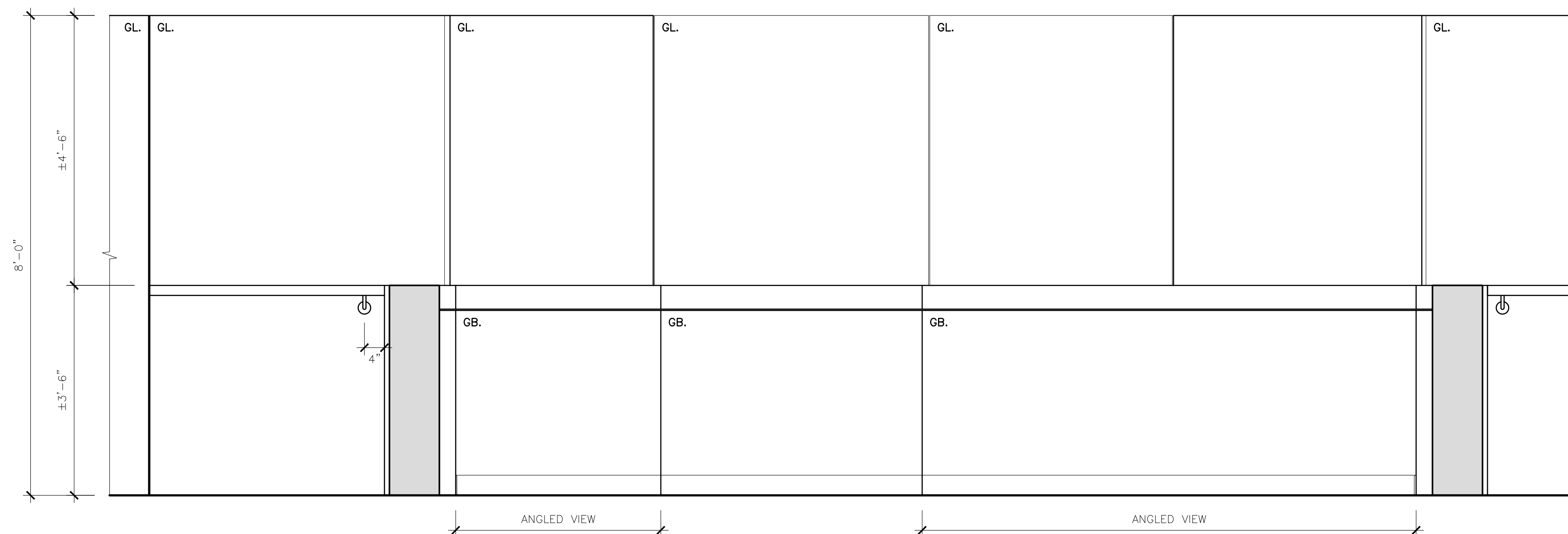


**MILLENNIUM LIBRARY
GUARDRAIL UPGRADE**
251 Donald Street, Winnipeg

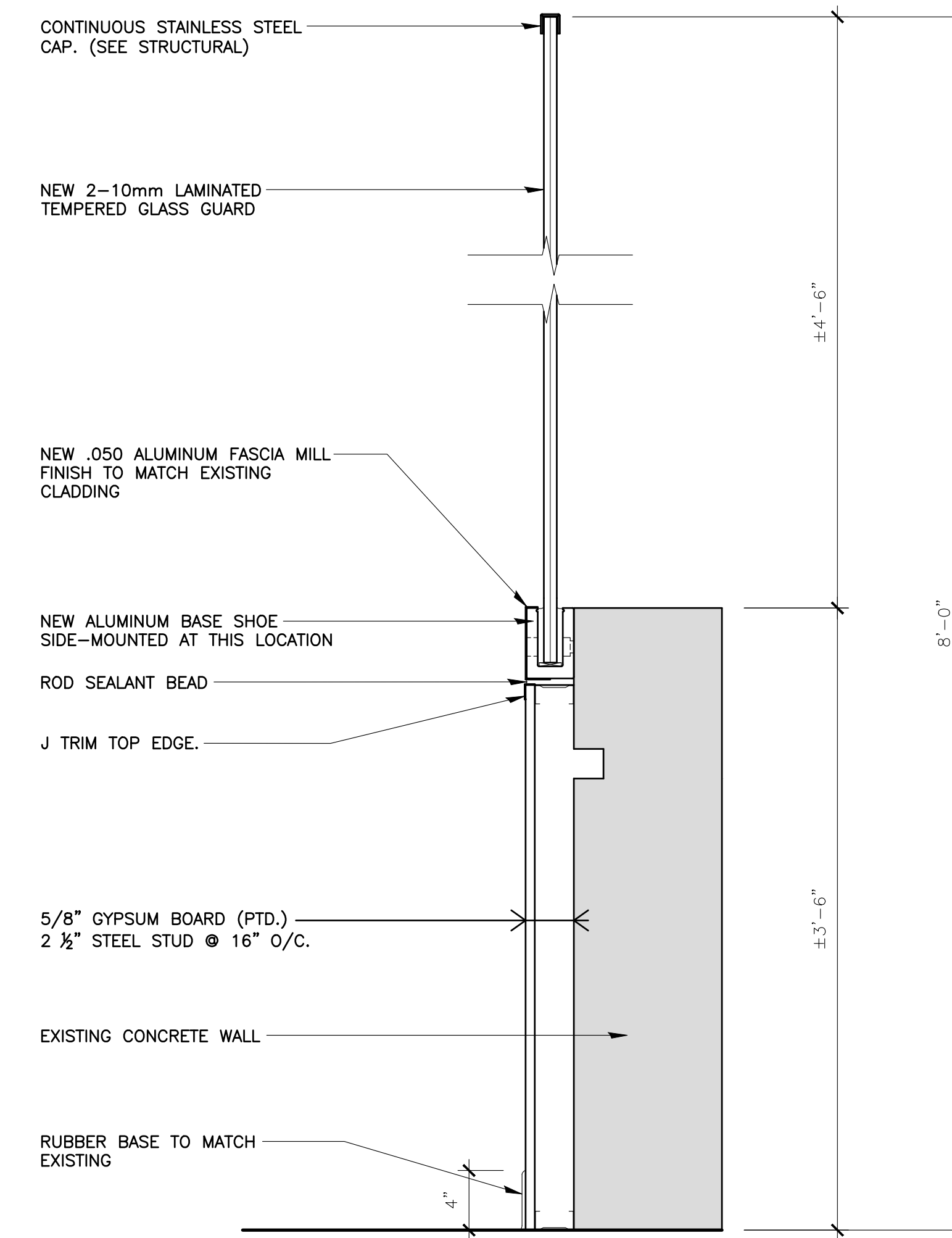
THIRD FLOOR PLAN



1
A5 | A5
ENLARGE PLAN - 4TH FLOOR CONCRETE WALL
SCALE 3/4" = 1'-0"



1
A5 | A5
INTERIOR ELEVATION - 4TH FLOOR CONCRETE WALL
SCALE 3/4" = 1'-0"



1
A5 | A5
SECTION THRU CONCRETE WALL
SCALE 1" = 1'-0"

KEY NOTES: ◆

- ◆ RELOCATE EXISTING FIRE EXTINGUISHER CABINET TO THE FACE OF NEW WALL FRAMING.
- ◆ EXTEND EXISTING ELECTRICAL DEVICES TO FACE NEW WALL FRAMING.

No.	Date	ISSUED FOR CONSTRUCTION	KT
1	2026-01-12	ISSUED FOR CONSTRUCTION	KT

Drawn By: KT
Printing Date: 2026.01.12



Drawings and specifications, as instruments of service are the property of the architects, the copyright in the same being reserved to them. No reproduction may be made without the permission of the architects, and when made, must bear their names. All prints to be returned.

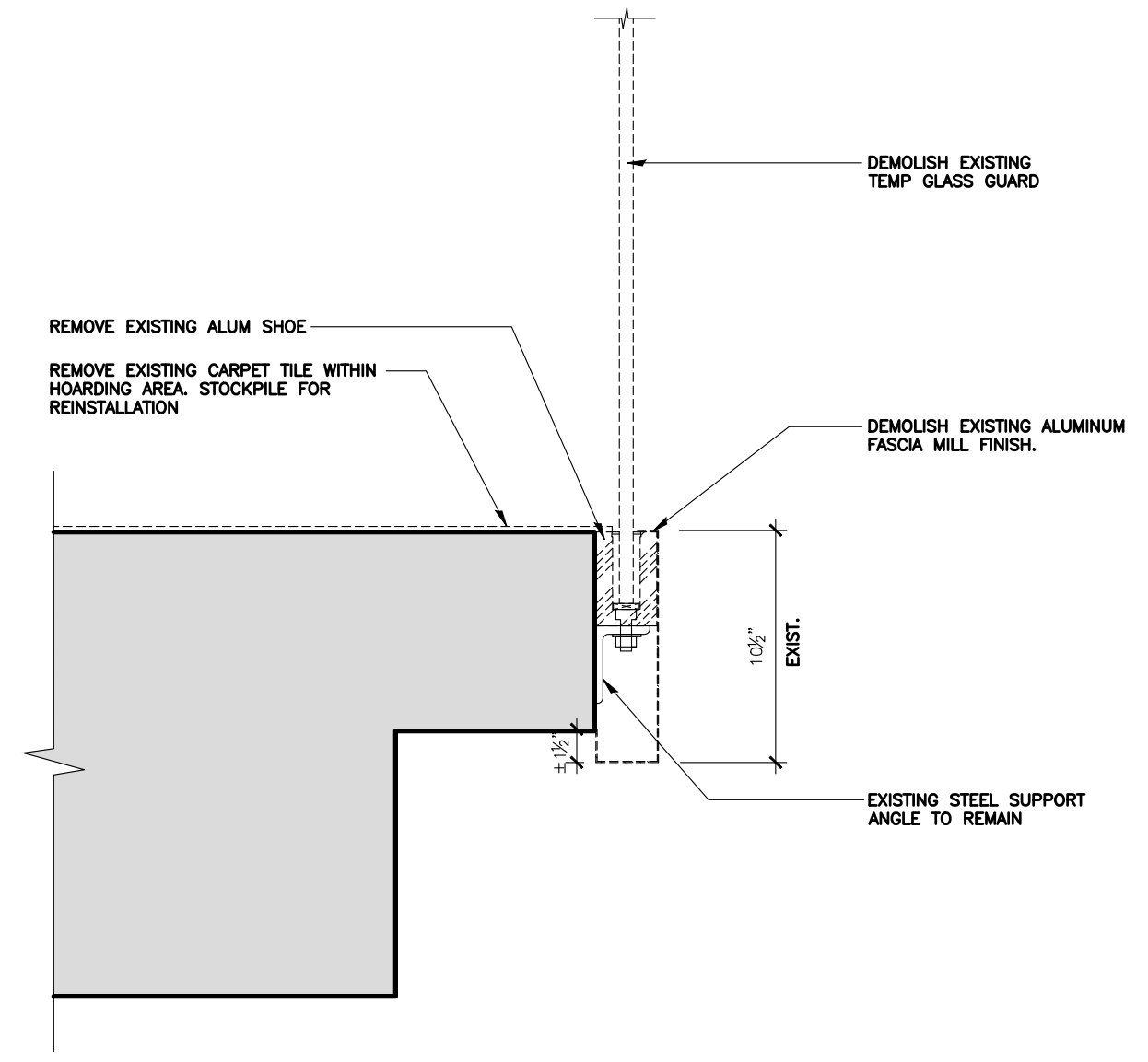
The contractor is to verify dimensions and data noted herein with conditions on the site and is held responsible for reporting any discrepancy to the architects for adjustment.



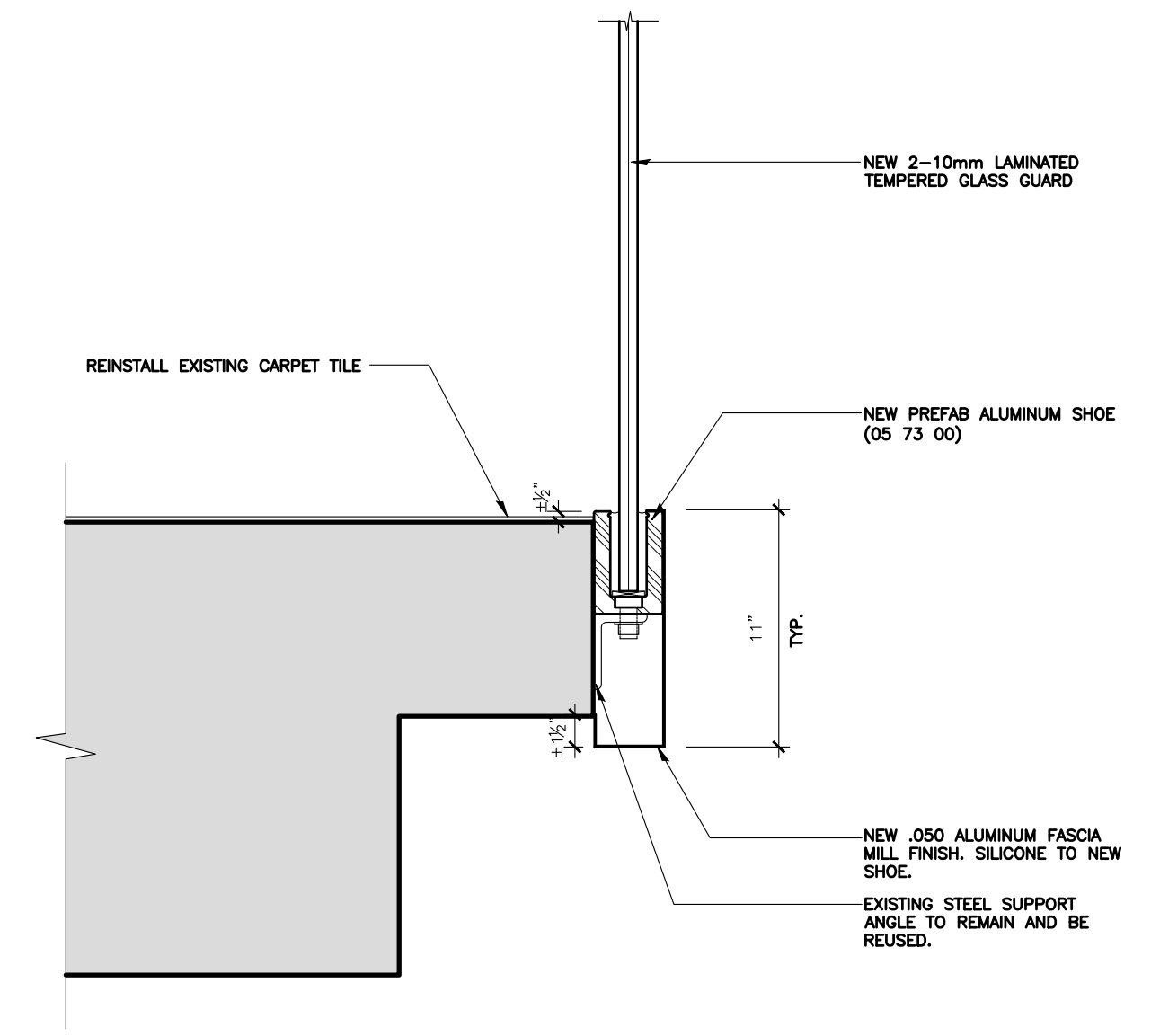
LM Architectural Group | Environmental Space Planning
500-136 Marzani Avenue Winnipeg, Manitoba Canada R3B 0P4
T: 204-542-8681 lm-esp.ca

MILLENNIUM LIBRARY
GUARDRAIL UPGRADE
251 Donald Street, Winnipeg

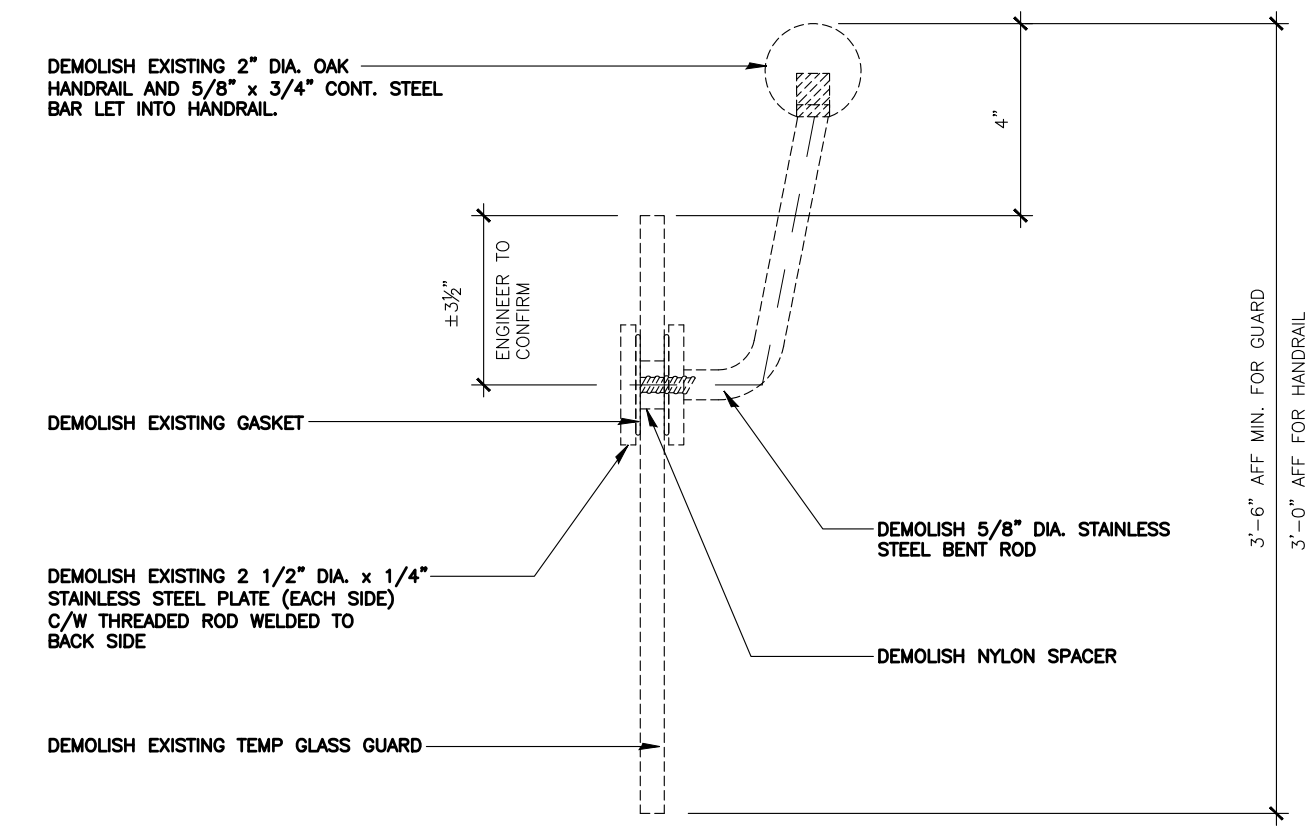
FOURTH FLOOR
ELEVATION & SECTION



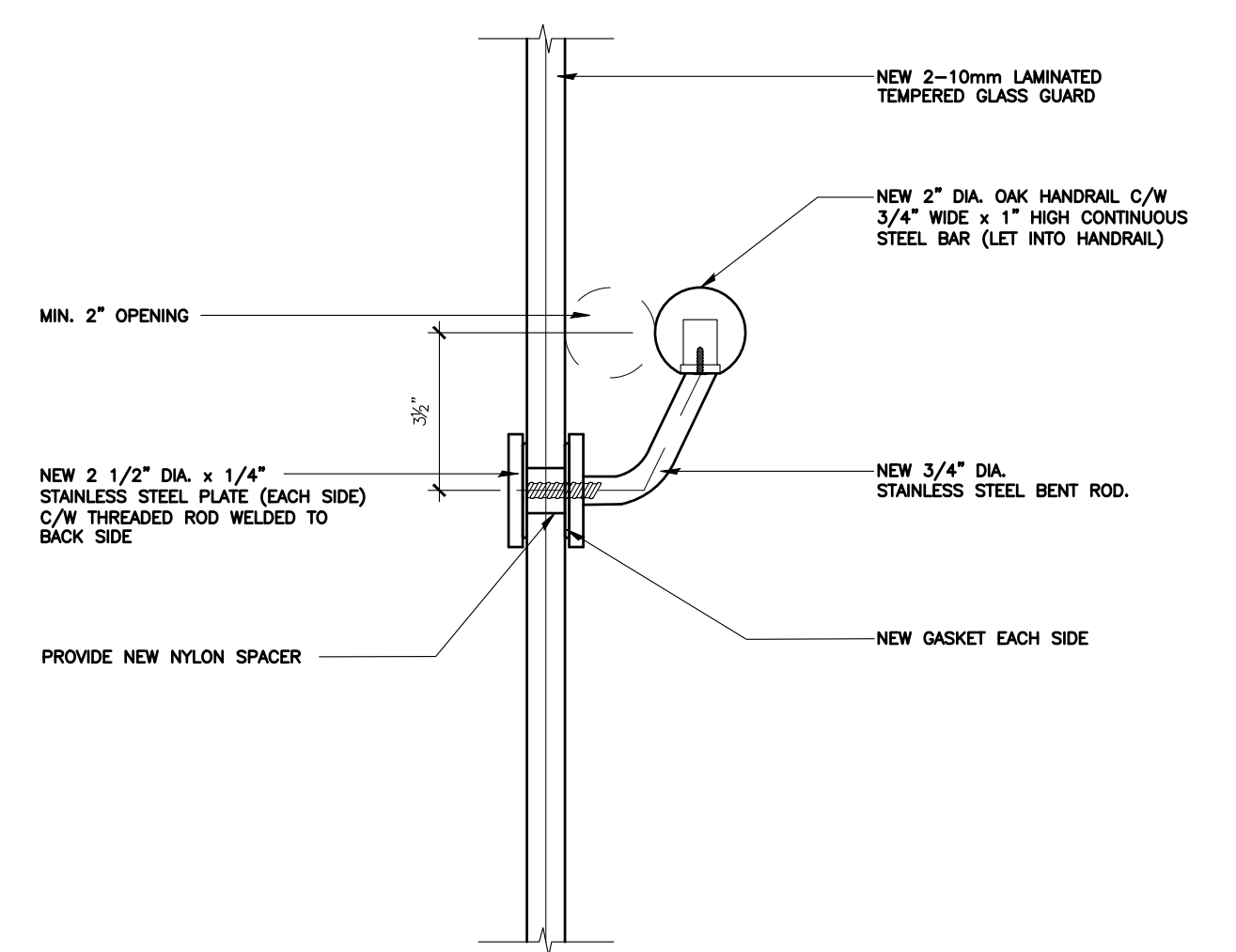
10 TYP. GUARDRAIL SHOE AT FLOOR LEVEL – DEMOLITION
SCALE: 1-1/2" = 1'-0"



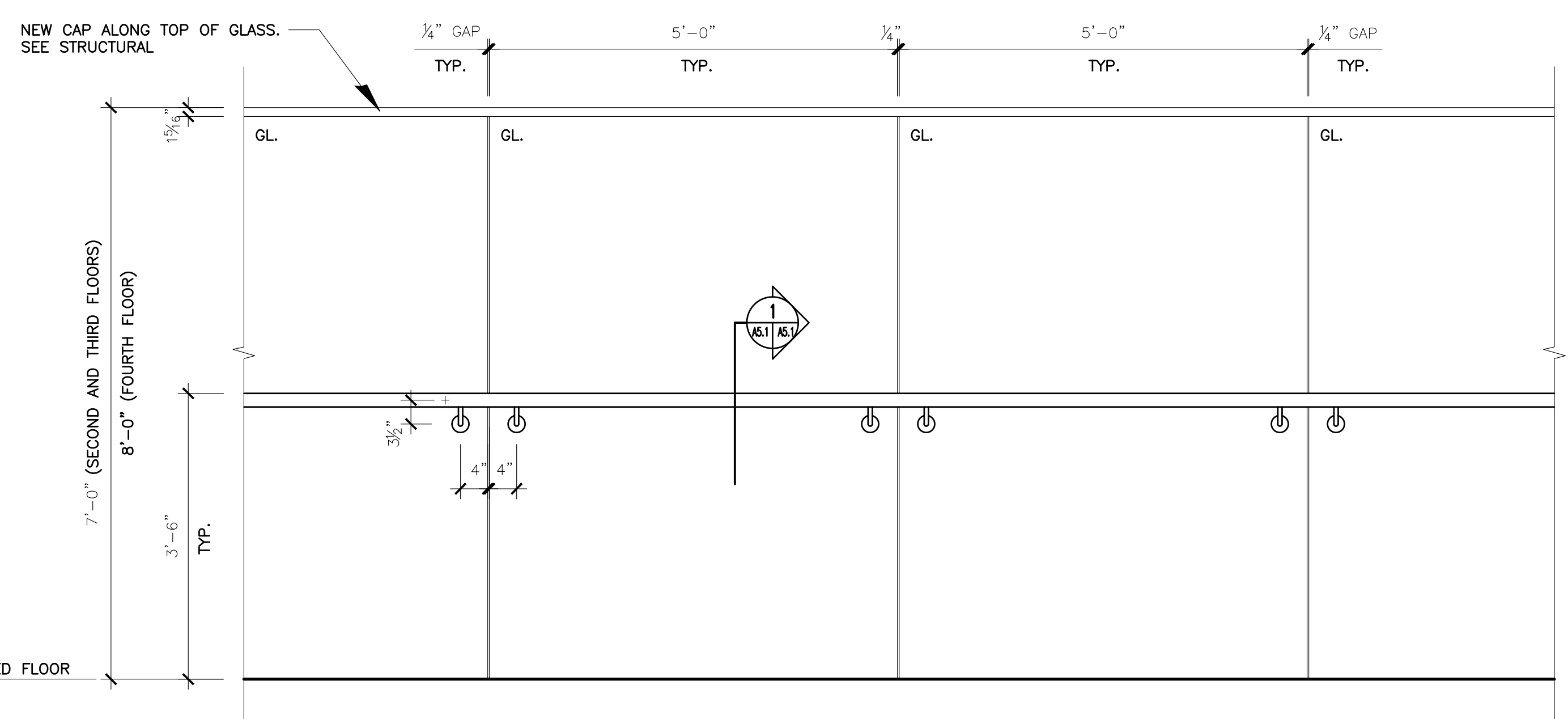
1 TYP. GUARDRAIL SHOE AT FLOOR LEVEL – RENOVATION
SCALE: 1-1/2" = 1'-0"



20 HANDRAIL / GUARD DETAIL – DEMOLITION
SCALE: 3" = 1'-0"



2 HANDRAIL / GUARD DETAIL – RENOVATION
SCALE: 3" = 1'-0"



1 TYPICAL GLASS PANEL ELEVATION LAYOUT (UNLESS OTHERWISE NOTED)
SCALE: 3/4" = 1'-0"

No.	Date	Issue / Revision	By
1	2026-01-12	ISSUED FOR CONSTRUCTION	KT

Drawn By: KT
Printing Date: 2026.01.12

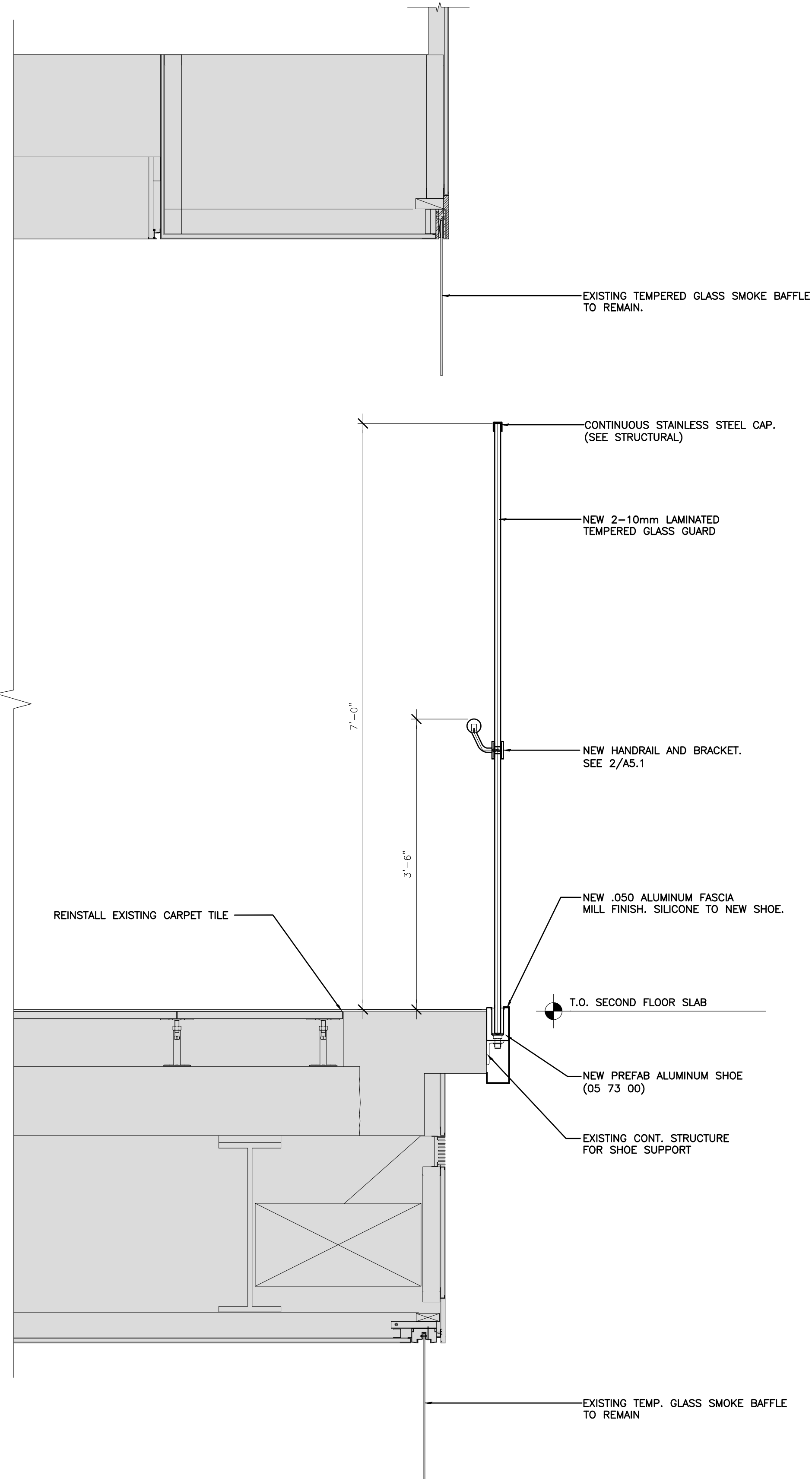


Drawings and specifications, as instruments of service are the property of the architects, the copyright in the same being reserved to them. No reproduction may be made without the permission of the architects, and when made, must bear their names. All prints to be returned.
The contractor is to verify dimensions and data noted herein with conditions on the site and is held responsible for reporting any discrepancy to the architects for adjustment.

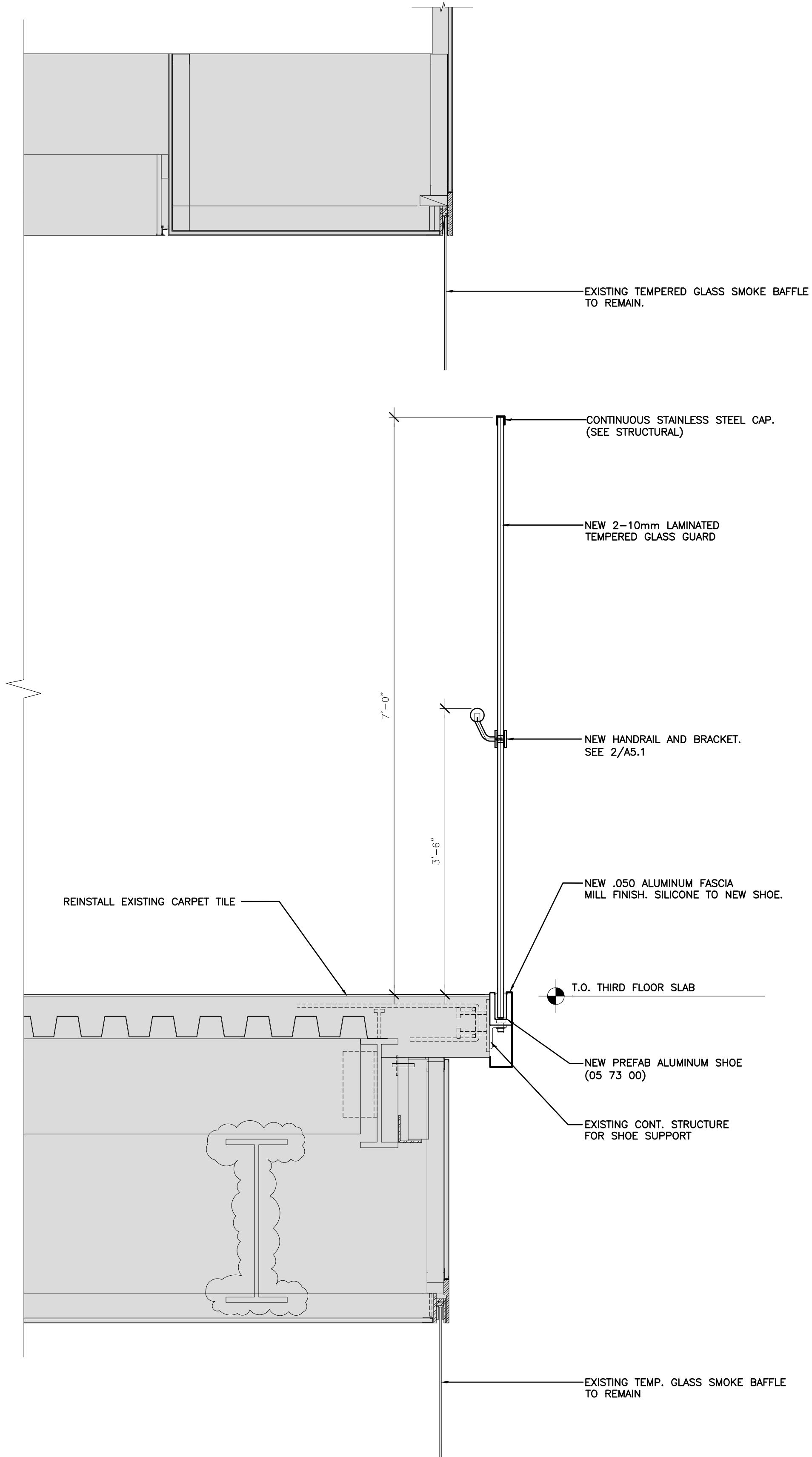


MILLENNIUM LIBRARY
GUARDRAIL UPGRADE
251 Donald Street, Winnipeg

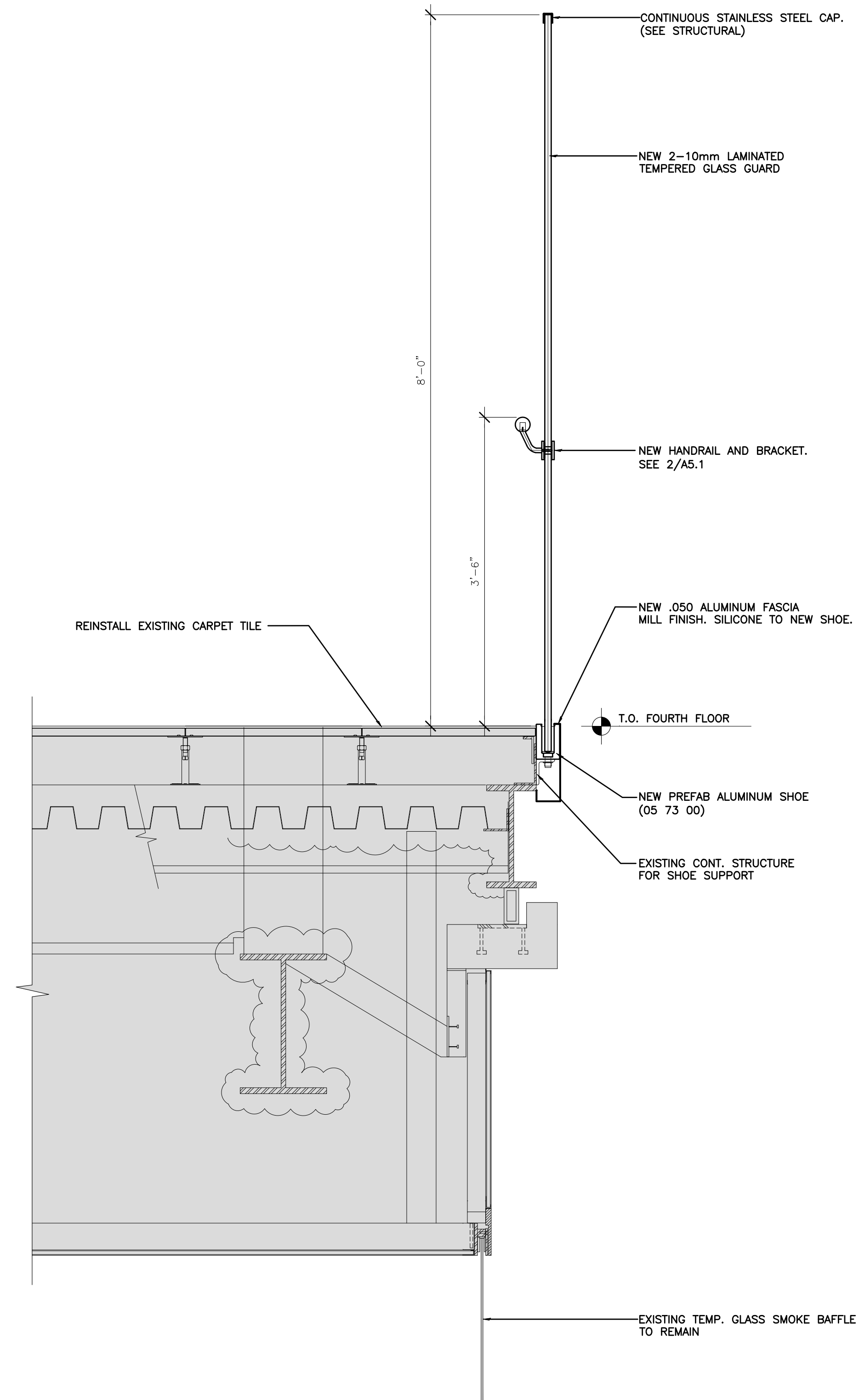
TYP. BASE SHOE DETAILS
HANDRAIL DETAILS



1 SECTION THRU SECOND FLOOR
SCALE 1" = 1'-0"



2 SECTION THRU THIRD FLOOR
SCALE 1" = 1'-0"



3 SECTION THRU FOURTH FLOOR
SCALE 1" = 1'-0"

No.	Date	Issue / Revision	By
1	2026-01-12	ISSUED FOR CONSTRUCTION	KT

Drawn By: KT
Printing Date: 2026.01.12



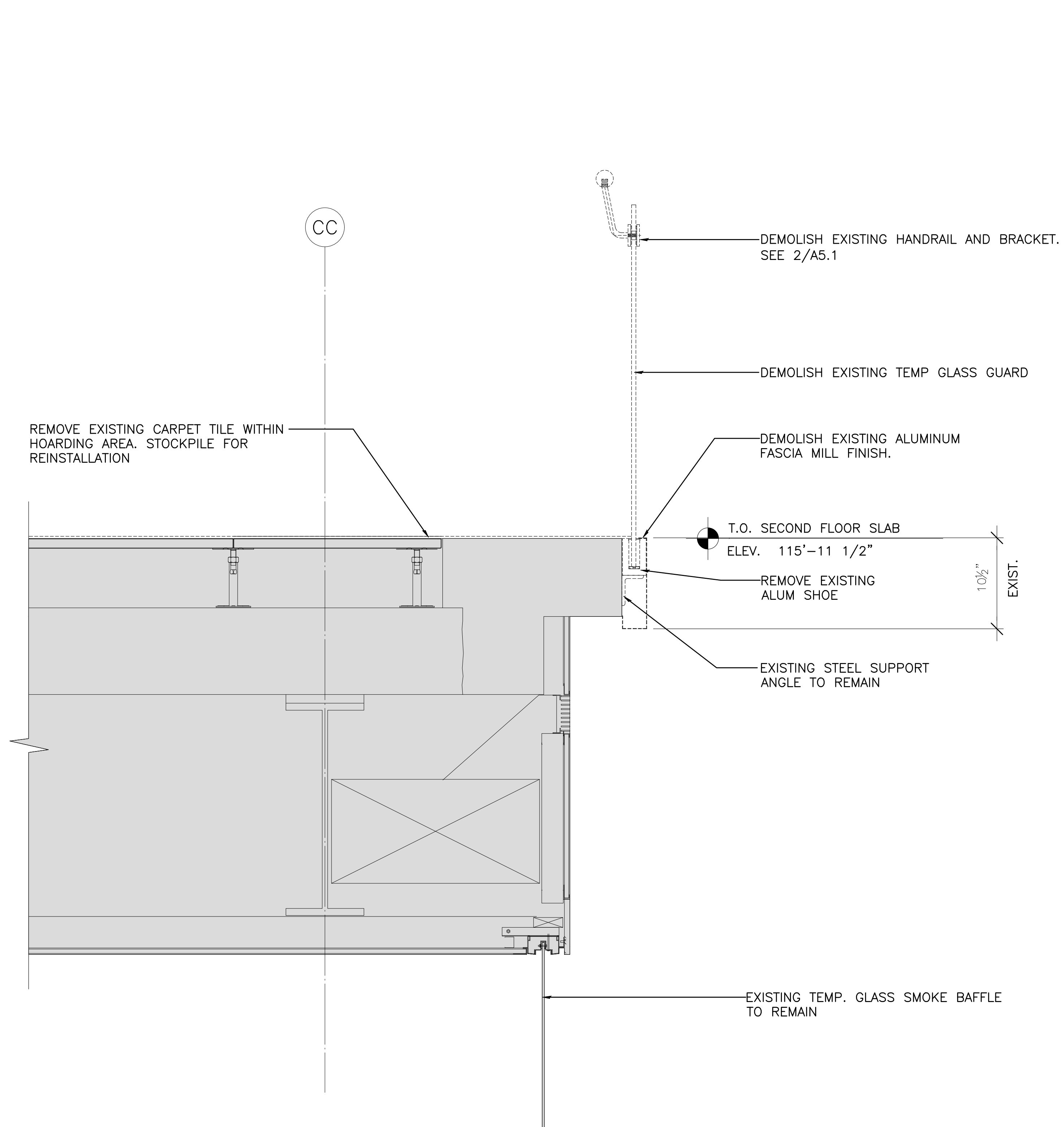
Drawings and specifications, as instruments of service are the property of the architects, the copyright in the same being reserved to them. No reproduction may be made without the permission of the architects, and when made, must bear their names. All prints to be returned.

The contractor is to verify dimensions and data noted herein with conditions on the site and is held responsible for reporting any discrepancy to the architects for adjustment.

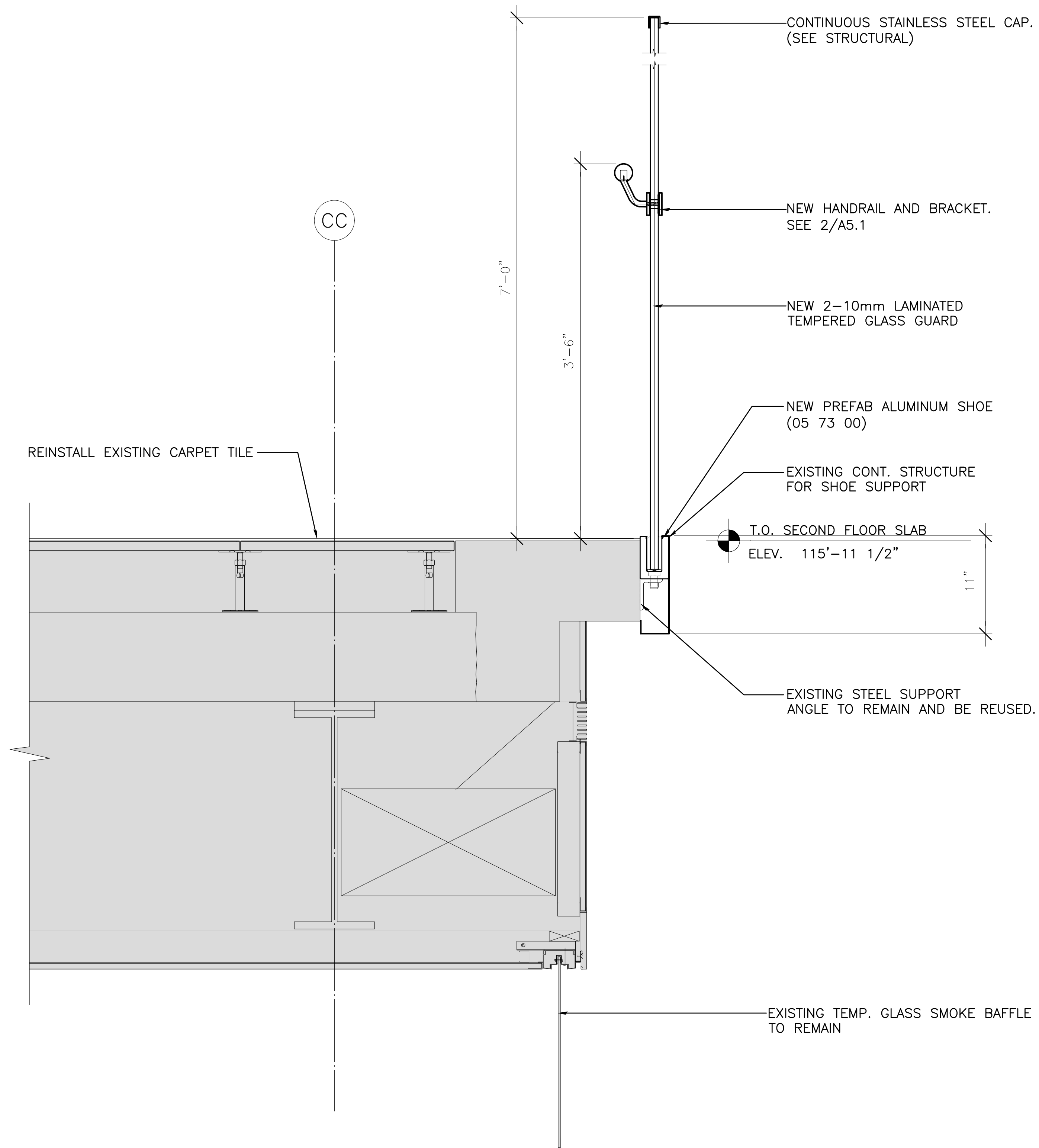


MILLENNIUM LIBRARY
GUARDRAIL UPGRADE
251 Donald Street, Winnipeg

GUARDRAIL
SECTIONS



10 SECOND FLOOR GUARD — DEMOLITION
SCALE 1-1/2" = 1'-0"



1 SECOND FLOOR GUARD — RENOVATION
SCALE 1-1/2" = 1'-0"

No.	Date	Issue / Revision	By
1	2026-01-12	ISSUED FOR CONSTRUCTION	KT

Drawn By: KT
Printing Date: 2026.01.12



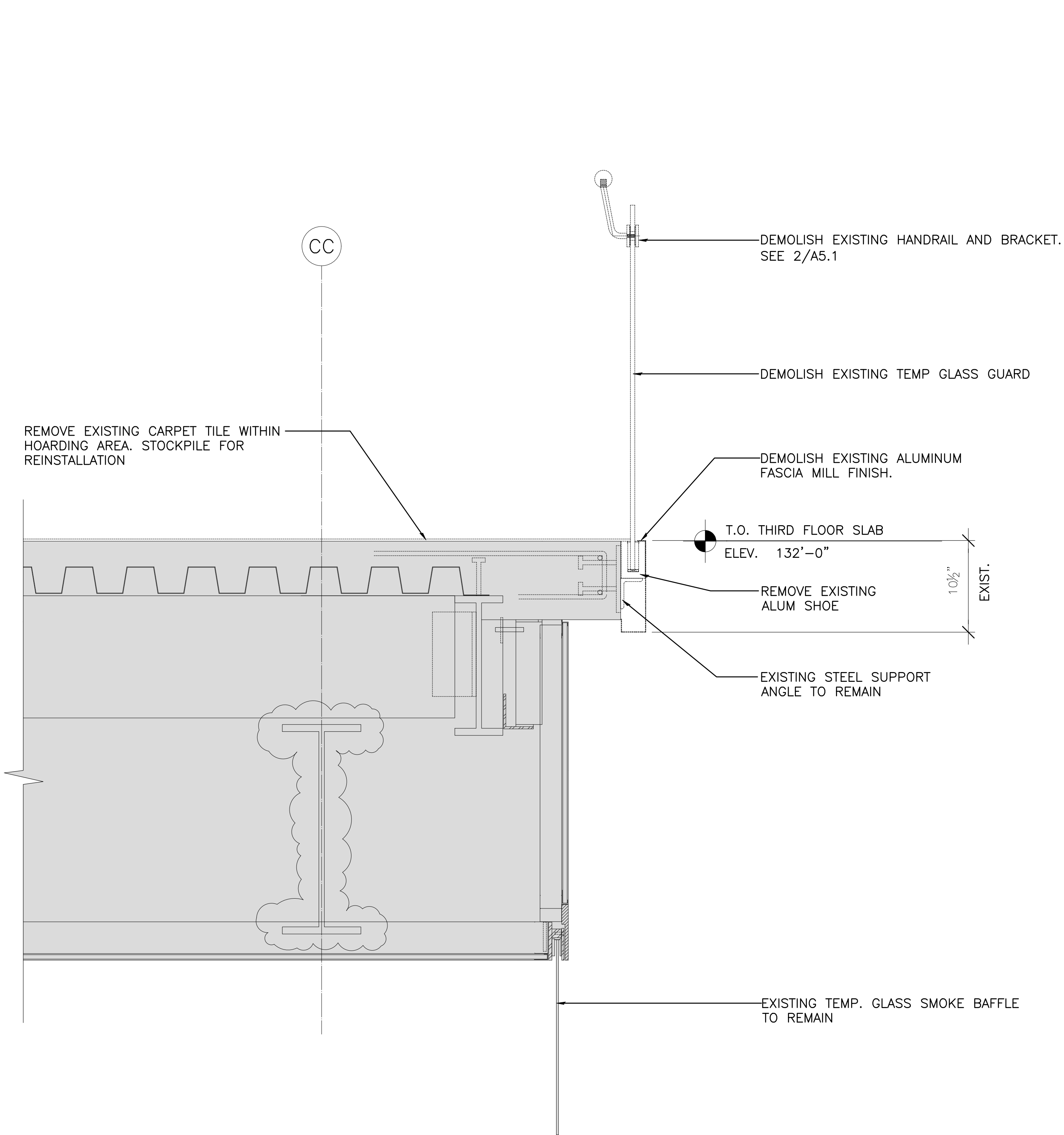
Drawings and specifications, as instruments of service are the property of the architects, the copyright in the same being reserved to them. No reproduction may be made without the permission of the architects, and when made, must bear their names. All prints to be returned.

The contractor is to verify dimensions and data noted herein with conditions on the site and is held responsible for reporting any discrepancy to the architects for adjustment.

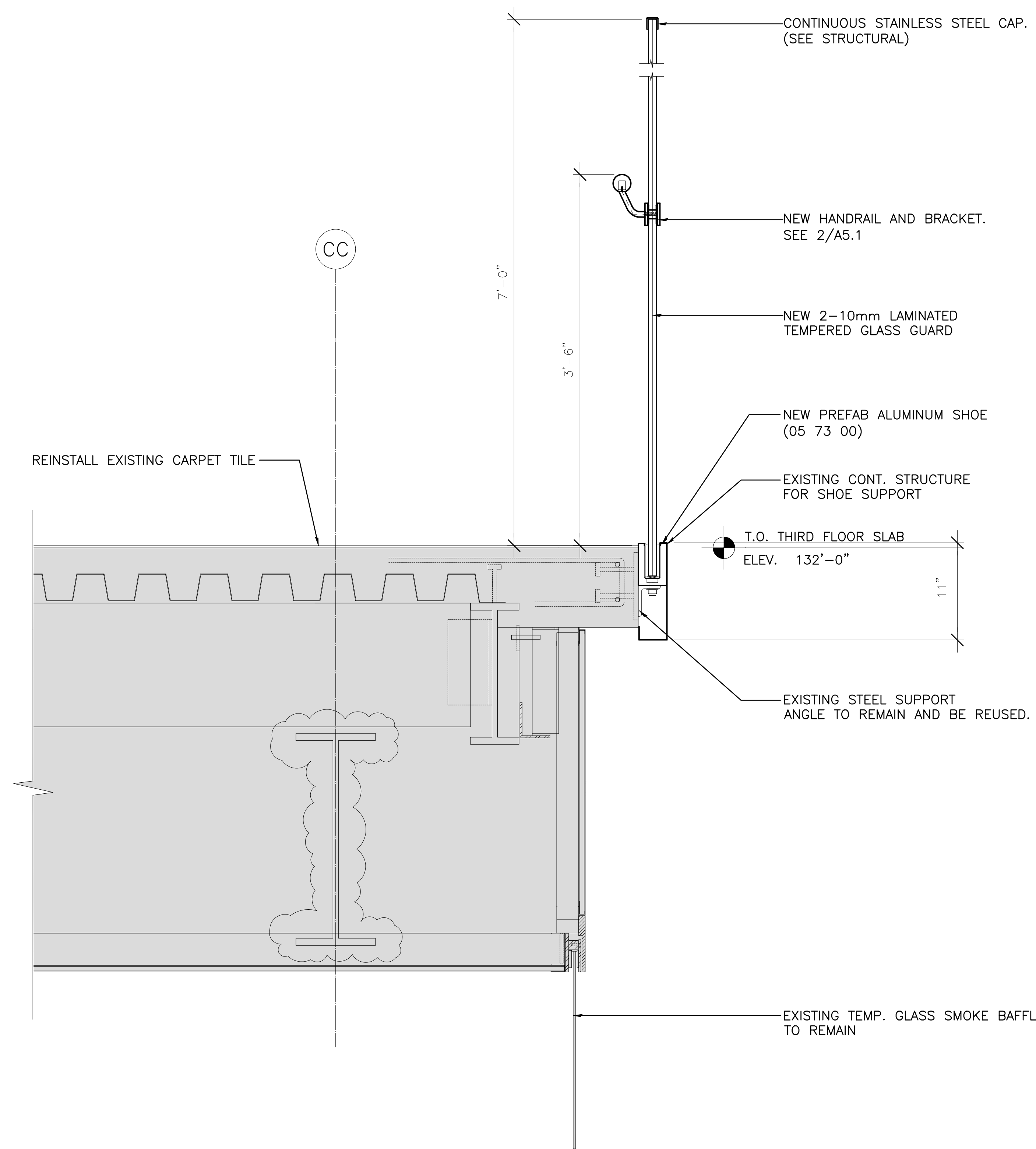


MILLENNIUM LIBRARY
GUARDRAIL UPGRADE
251 Donald Street, Winnipeg

SECOND FLOOR
SECTIONS



10 3RD FLOOR GUARD — DEMOLITION
SCALE 1-1/2" = 1'-0"



1 3RD FLOOR GUARD — RENOVATION
SCALE 1-1/2" = 1'-0"

No.	Date	Issue / Revision	By
1	2026-01-12	ISSUED FOR CONSTRUCTION	KT

Drawn By: KT
Printing Date: 2026.01.12

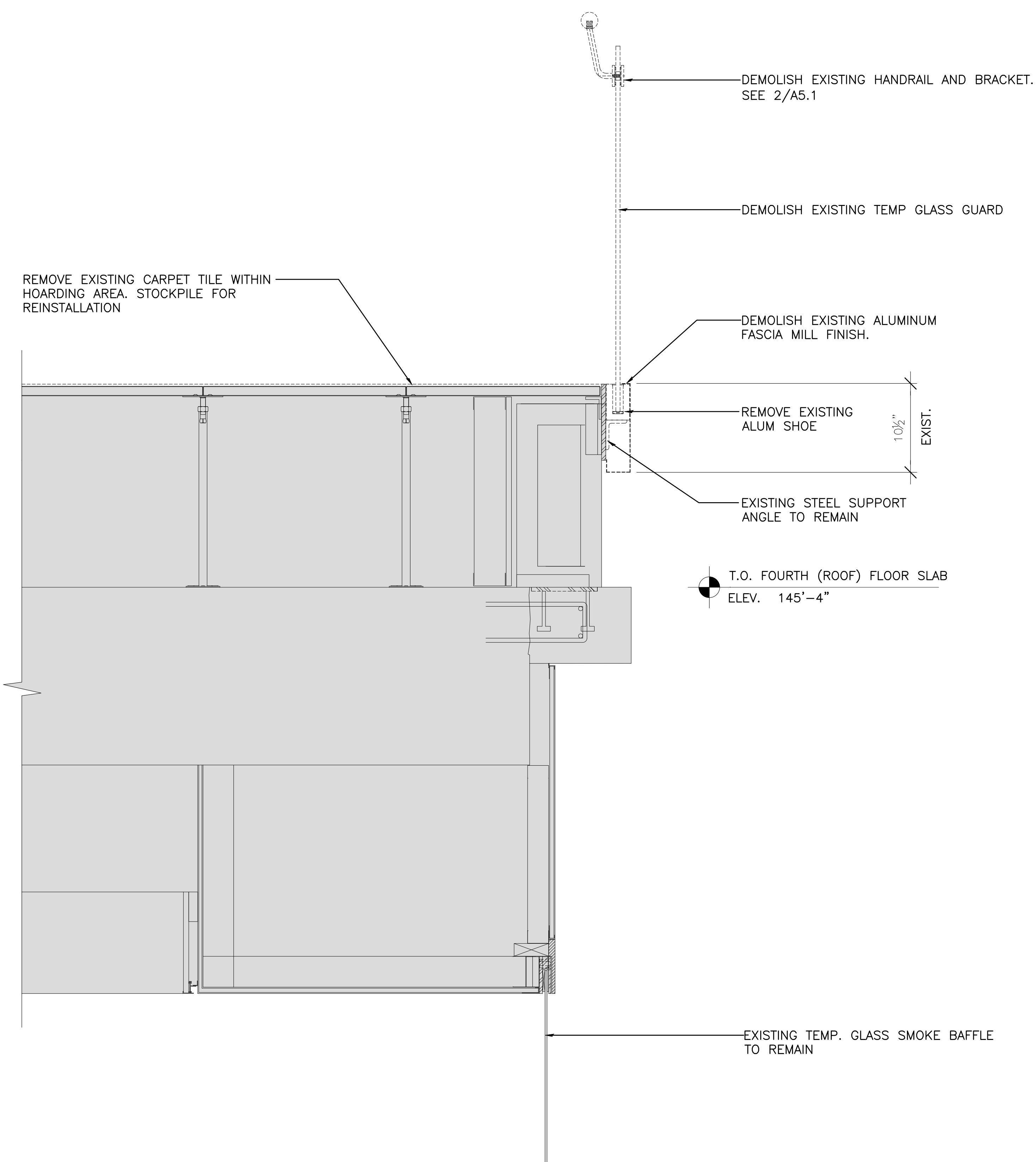


Drawings and specifications, as instruments of service are the property of the architects, the copyright in the same being reserved to them. No reproduction may be made without the permission of the architects, and when made, must bear their names. All prints to be returned.
The contractor is to verify dimensions and data noted herein with conditions on the site and is held responsible for reporting any discrepancy to the architects for adjustment.

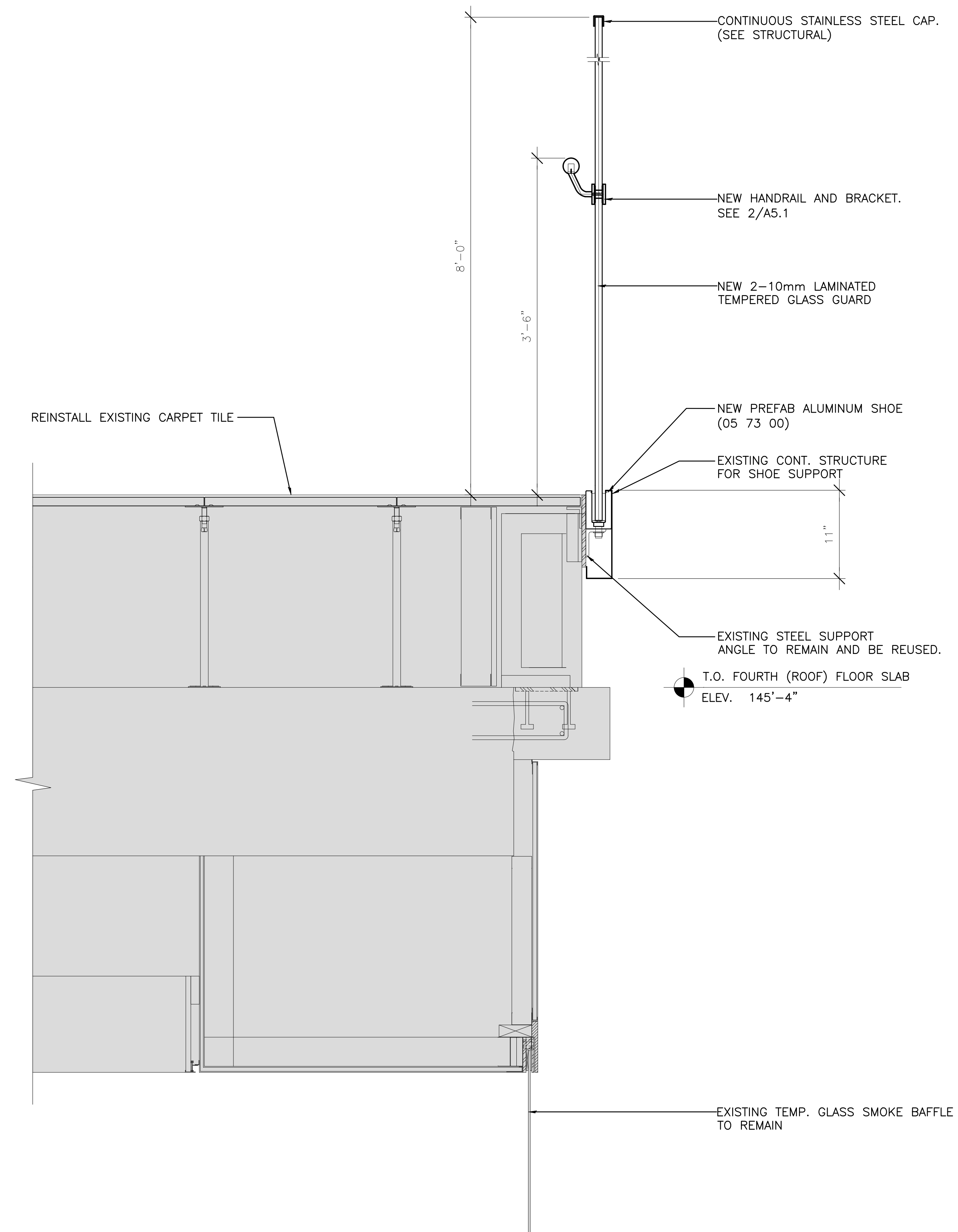


MILLENNIUM LIBRARY
GUARDRAIL UPGRADE
251 Donald Street, Winnipeg

THIRD FLOOR
SECTIONS



10 4TH FLOOR GUARD - DEMOLITION
SCALE 1-1/2" = 1'-0"



1 4TH FLOOR GUARD - RENOVATION
SCALE 1-1/2" = 1'-0"

No.	Date	Issue / Revision	By
1	2026-01-12	ISSUED FOR CONSTRUCTION	KT

Drawn By: KT
Printing Date: 2026.01.12

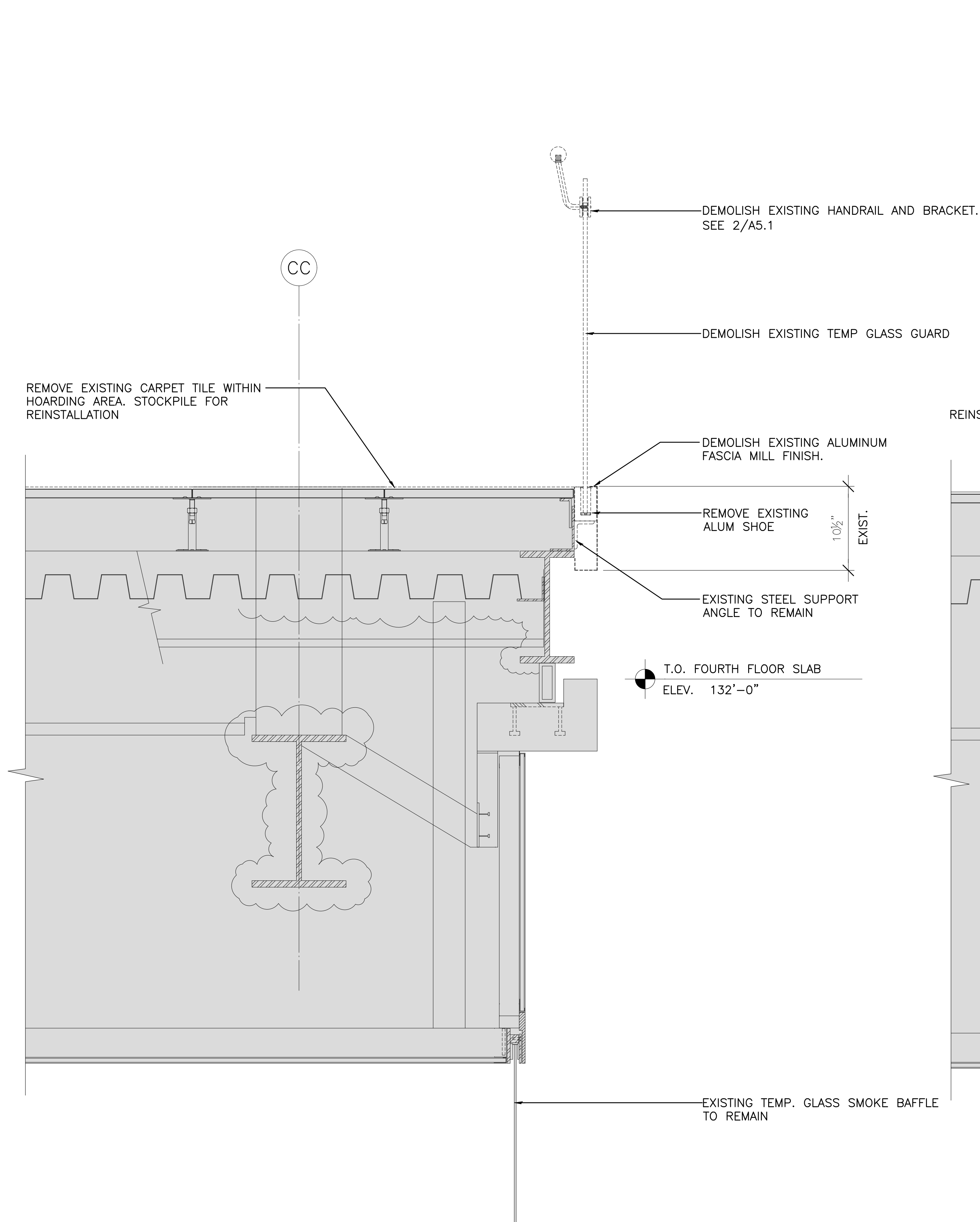


Drawings and specifications, as instruments of service are the property of the architects, the copyright in the same being reserved to them. No reproduction may be made without the permission of the architects, and when made, must bear their names. All prints to be returned.
The contractor is to verify dimensions and data noted herein with conditions on the site and is held responsible for reporting any discrepancy to the architects for adjustment.

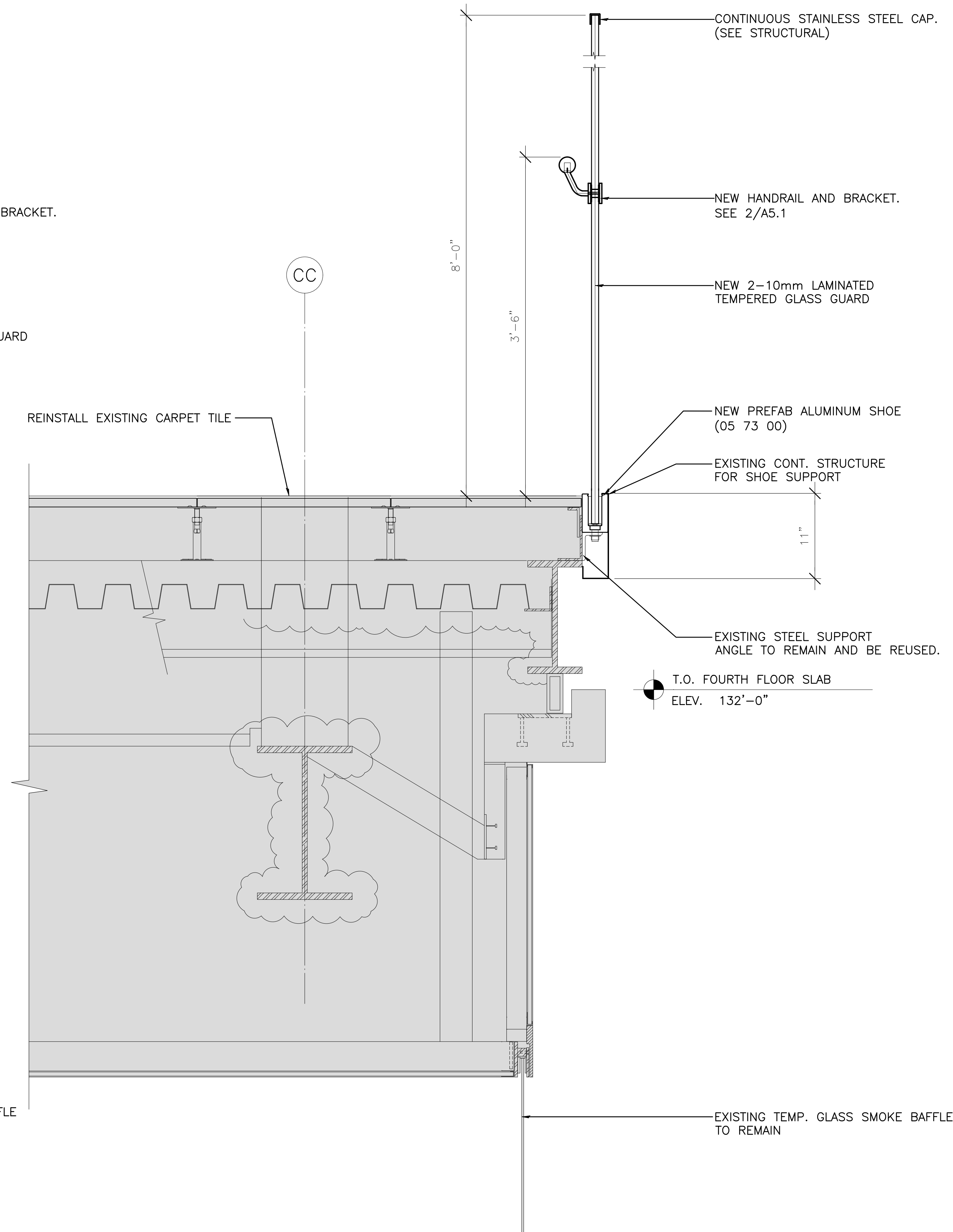


MILLENNIUM LIBRARY
GUARDRAIL UPGRADE
251 Donald Street, Winnipeg

FOURTH FLOOR
SECTIONS



10 4TH FLOOR GUARD – DEMOLITION
SCALE 1-1/2" = 1'-0"



1 4TH FLOOR GUARD – RENOVATION
SCALE 1-1/2" = 1'-0"

No.	Date	Issue / Revision	By
1	2026-01-12	ISSUED FOR CONSTRUCTION	KT

Drawn By: KT
Printing Date: 2026.01.12



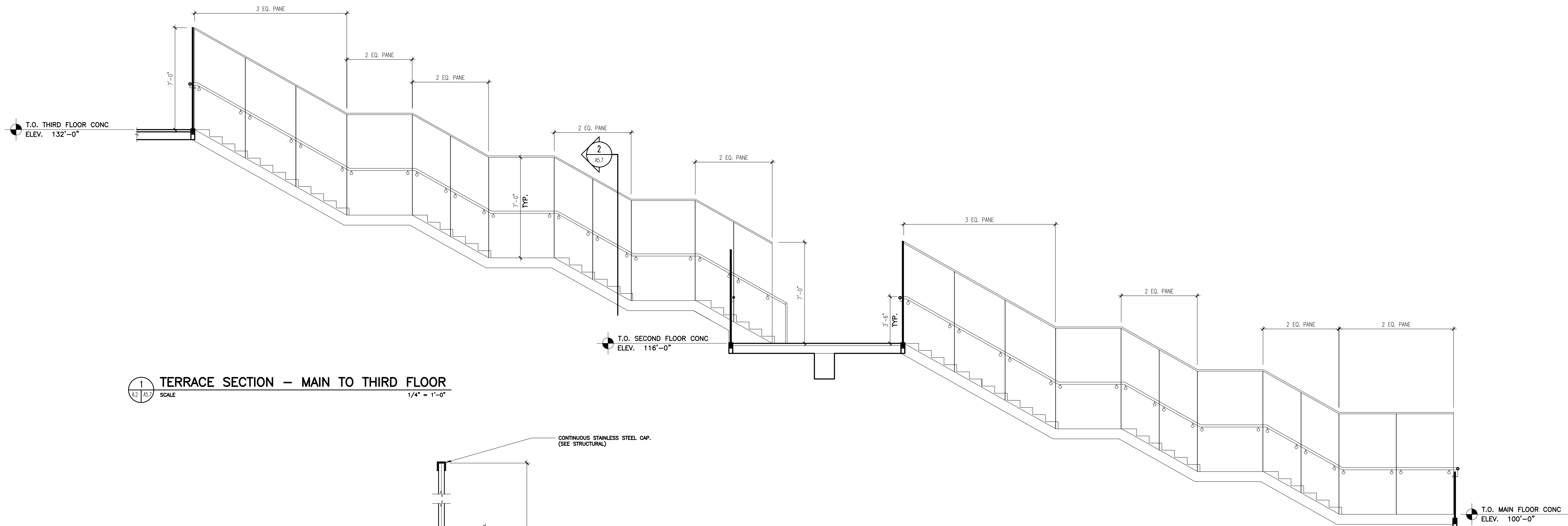
Drawings and specifications, as instruments of service are the property of the architects, the copyright in the same being reserved to them. No reproduction may be made without the permission of the architects, and when made, must bear their names. All prints to be returned.

The contractor is to verify dimensions and data noted herein with conditions on the site and is held responsible for reporting any discrepancy to the architects for adjustment.

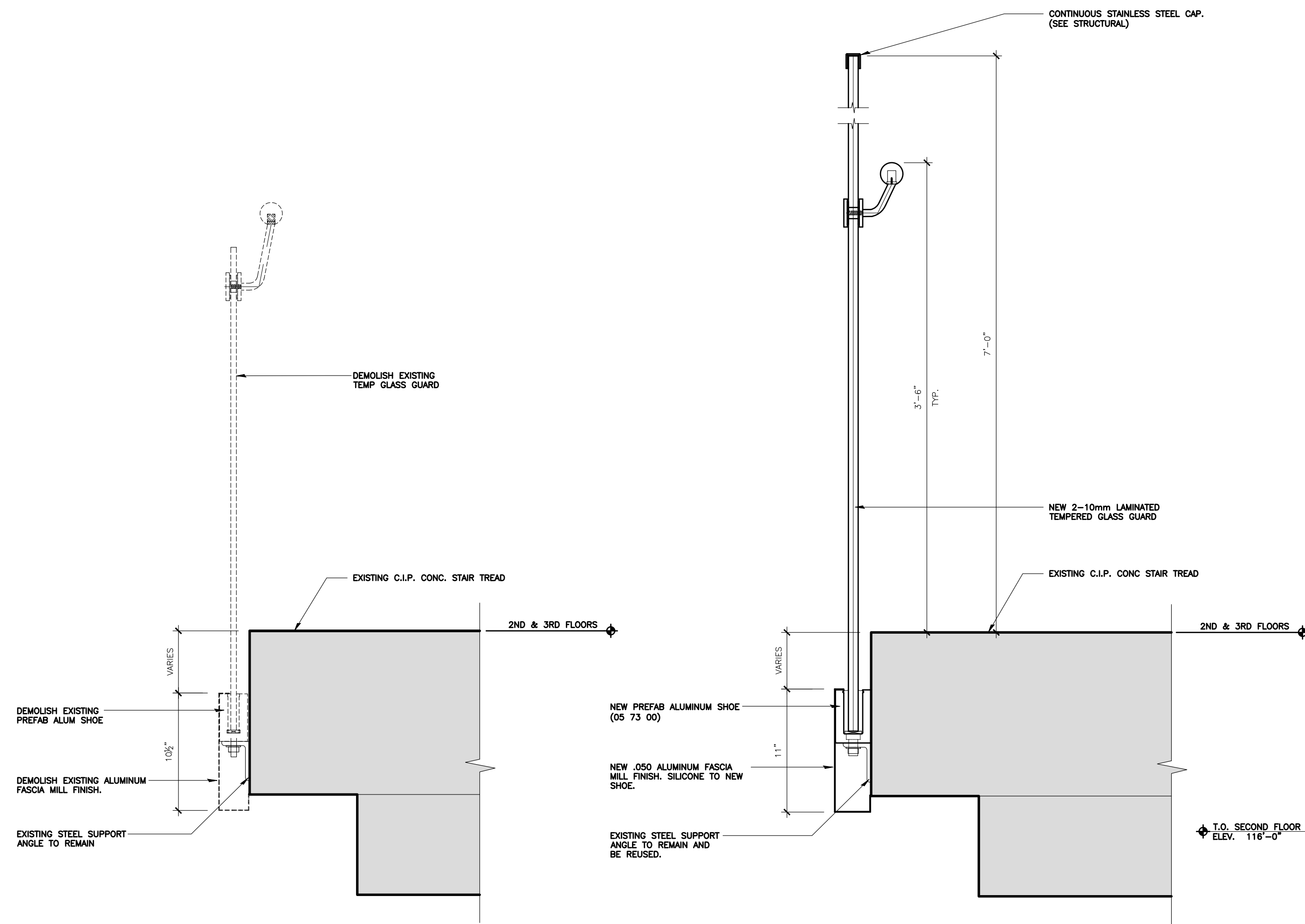


MILLENNIUM LIBRARY
GUARDRAIL UPGRADE
251 Donald Street, Winnipeg

FOURTH FLOOR
SECTIONS

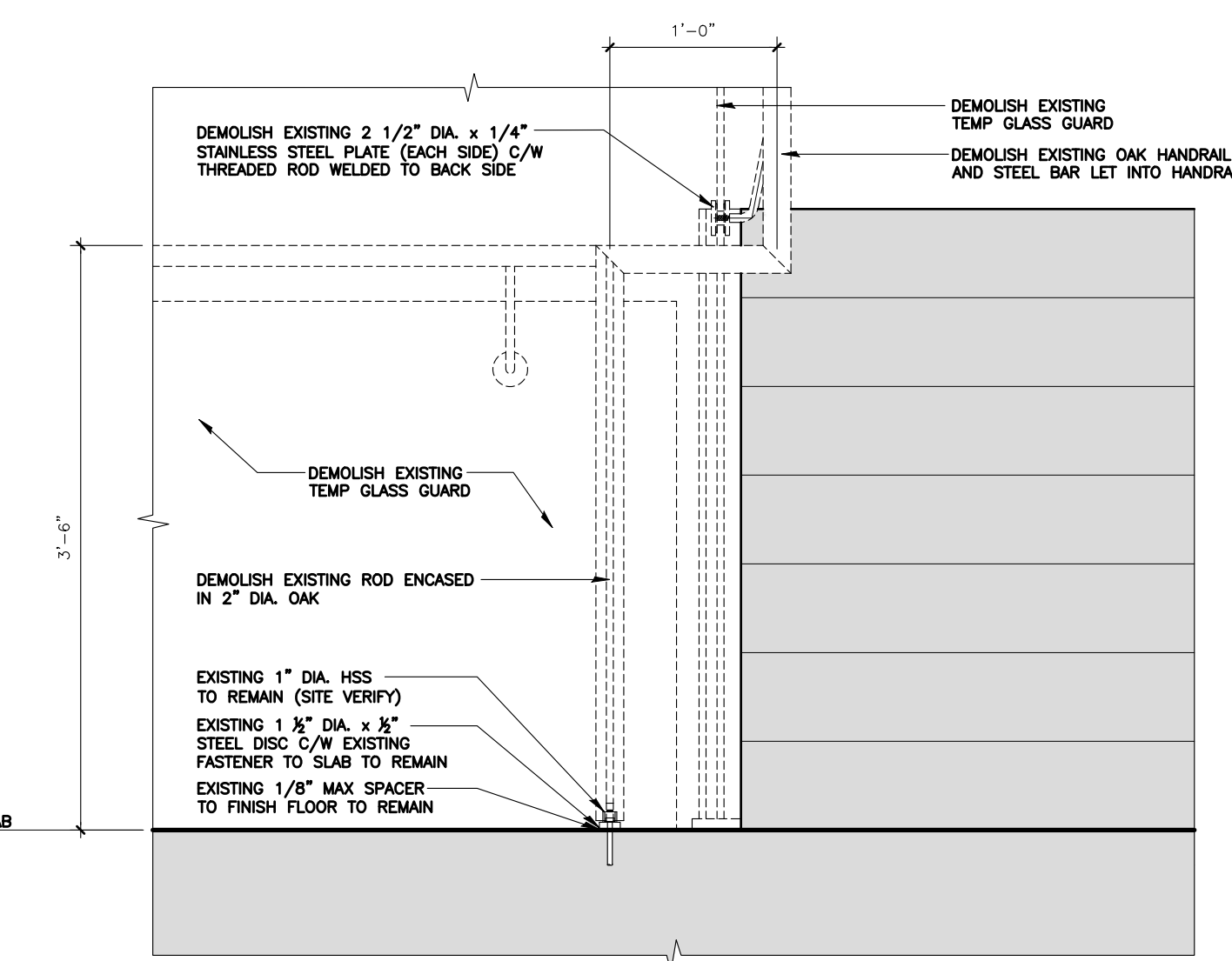


1 TERRACE SECTION - MAIN TO THIRD FLOOR
SCALE 1/4" = 1'-0"

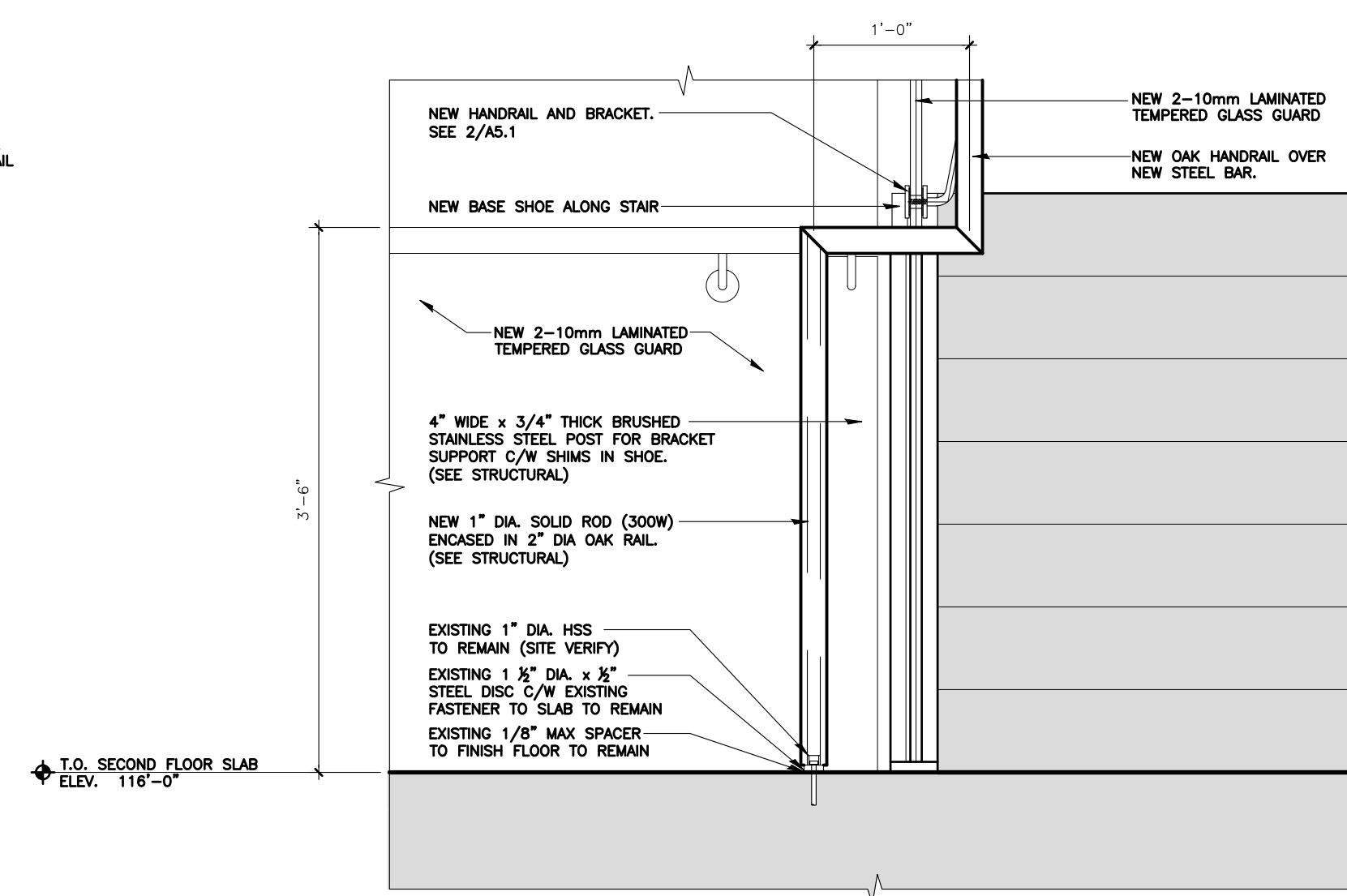


20 TYPICAL STAIR GUARDRAIL SHOE - DEMOLITION
SCALE 1-1/2" = 1'-0"

2 TYPICAL STAIR GUARDRAIL SHOE - RENOVATION
SCALE 1-1/2" = 1'-0"



10 MAIN TO SECOND FLOOR TERRACE LANDING - DEMOLITION
SCALE 1" = 1'-0"



1 MAIN TO SECOND FLOOR TERRACE LANDING - RENOVATION
SCALE 1" = 1'-0"

No.	Date	Issue / Revision	By
1	2026-01-12	ISSUED FOR CONSTRUCTION	KT

Drawn By: KT
Printing Date: 2026.01.12



Drawings and specifications, as instruments of service are the property of the architects, the copyright in the same being reserved to them. No reproduction may be made without the permission of the architects, and when made, must bear their names. All prints to be returned.
The contractor is to verify dimensions and data noted herein with conditions on the site and is held responsible for reporting any discrepancy to the architects for adjustment.



MILLENNIUM LIBRARY
GUARDRAIL UPGRADE
251 Donald Street, Winnipeg

STAIR ELEVATION & SECTION