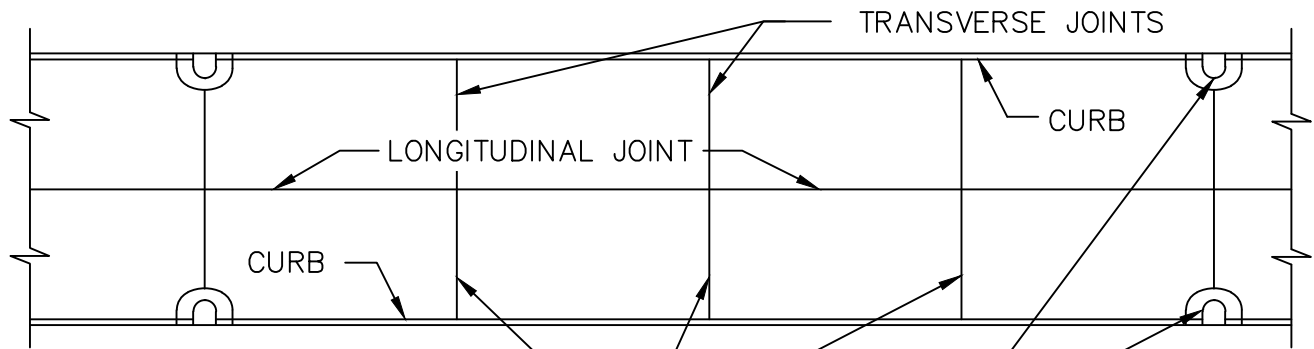


APPENDIX 'B' – STANDARD CONSTRUCTION DETAILS



TRANSVERSE JOINT SPACING TO BE ADJUSTED SO THAT JOINT FALLS ON CENTRE OF CURB AND GUTTER INLET ISOLATION

CURB AND GUTTER INLETS

NOTE:

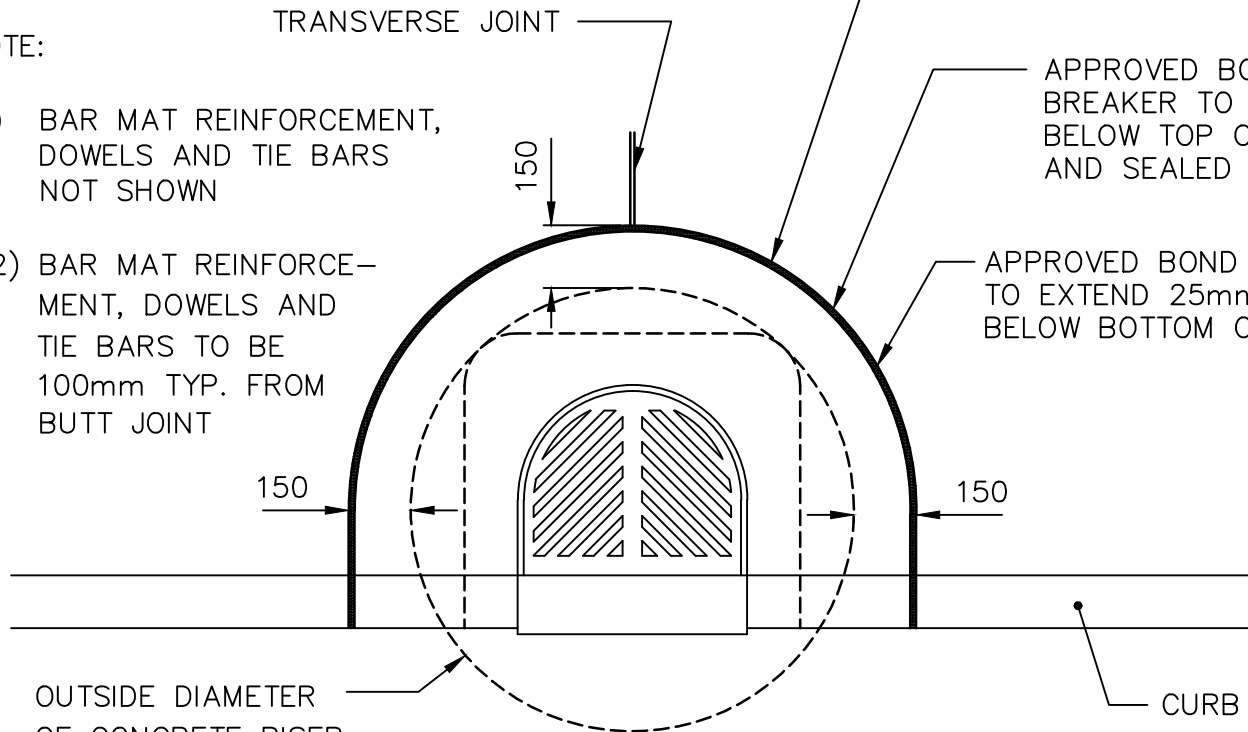
- 1) BAR MAT REINFORCEMENT, DOWELS AND TIE BARS NOT SHOWN
- 2) BAR MAT REINFORCEMENT, DOWELS AND TIE BARS TO BE 100mm TYP. FROM BUTT JOINT

TRANSVERSE JOINT

BUTT JOINT ALL AROUND REF. SD-212

APPROVED BOND BREAKER TO BE BELOW TOP OF CONC. AND SEALED

APPROVED BOND BREAKER TO EXTEND 25mm-50mm BELOW BOTTOM OF CONC.



OUTSIDE DIAMETER OF CONCRETE RISER
REF. SD-023
SD-024

DIMENSIONS IN MILLIMETRES



THE CITY OF WINNIPEG
PUBLIC WORKS DEPARTMENT

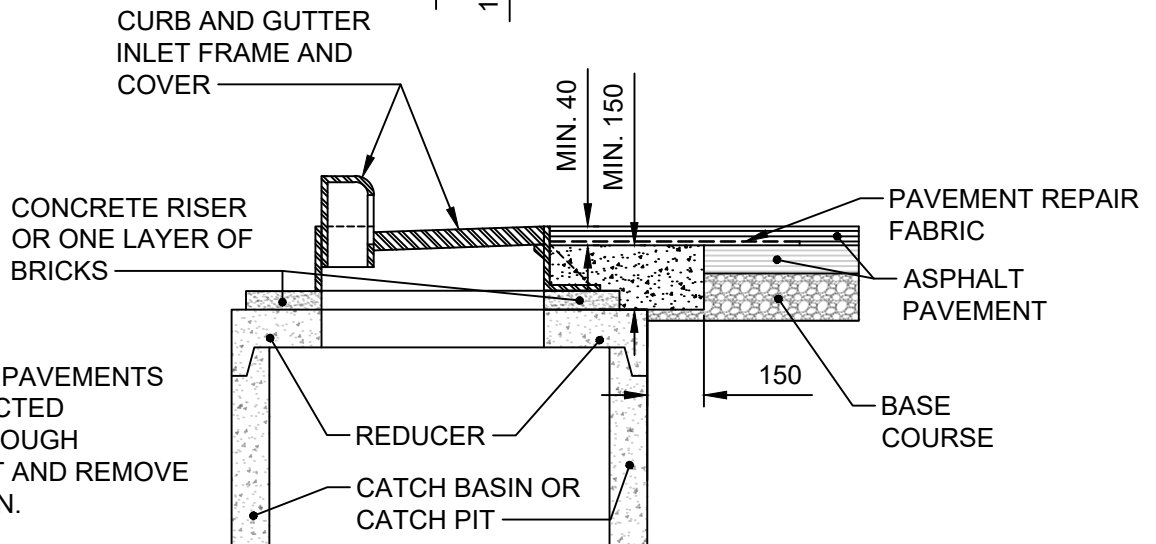
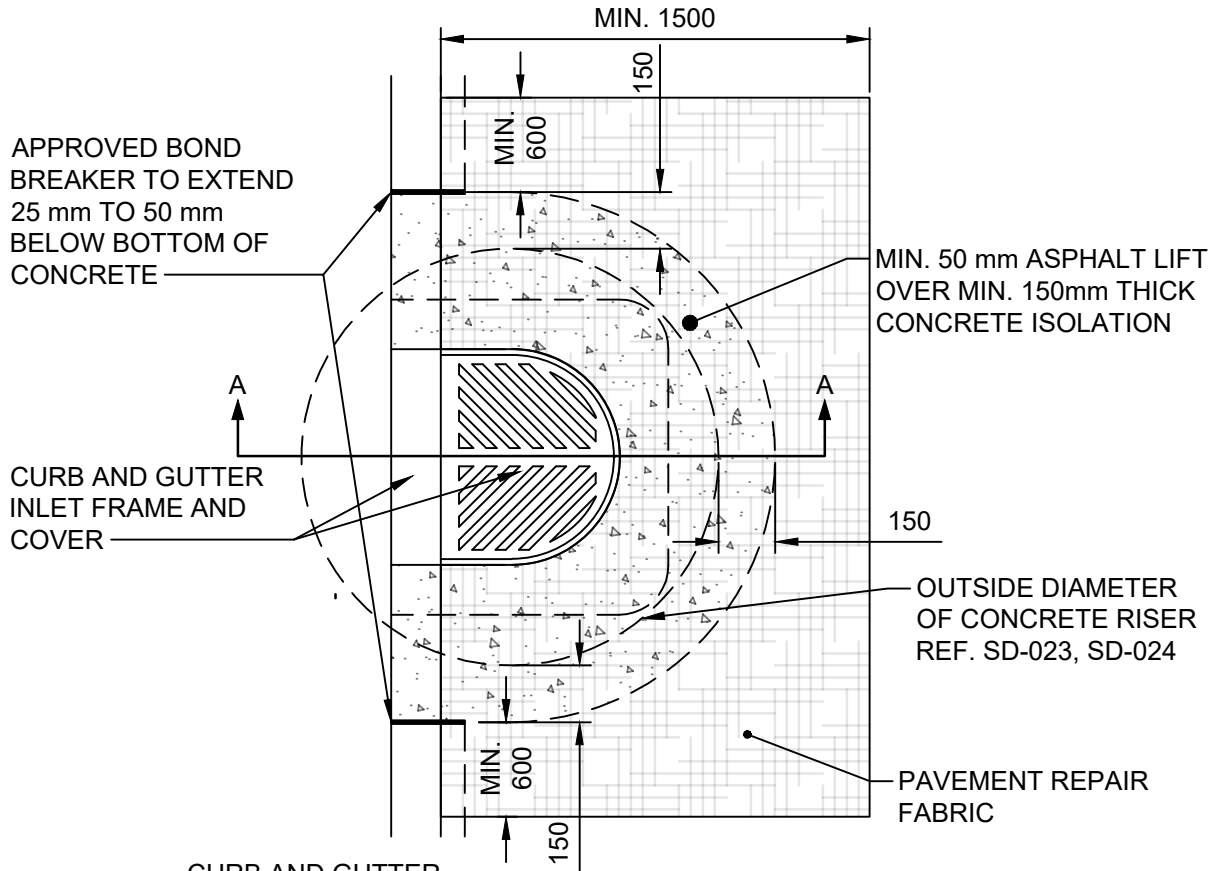
Reference Spec. No.
CW 3210, CW 3230, CW 3310

Revisions

No.	Date	Description	By
1.	FEB 25	ADDED ROUNDED FRAME	T.K.

CURB AND GUTTER INLET
ISOLATION DETAIL

Designed By: L.S.W.L. / K.T.	Drawn By: T.G.A	Scale : N.T.S.
Checked By: B.P.	Date: 2024-10-01	Drawing No. SD-220C
Approved: PAVEMENT MANAGEMENT BRANCH		



NOTE:

CURB FOR ASPHALT PAVEMENTS SHALL BE CONSTRUCTED CONTINUOUSLY THROUGH ISOLATION. SAW CUT AND REMOVE CURB FOR ISOLATION.

SECTION A-A

DIMENSIONS IN MILLIMETRES



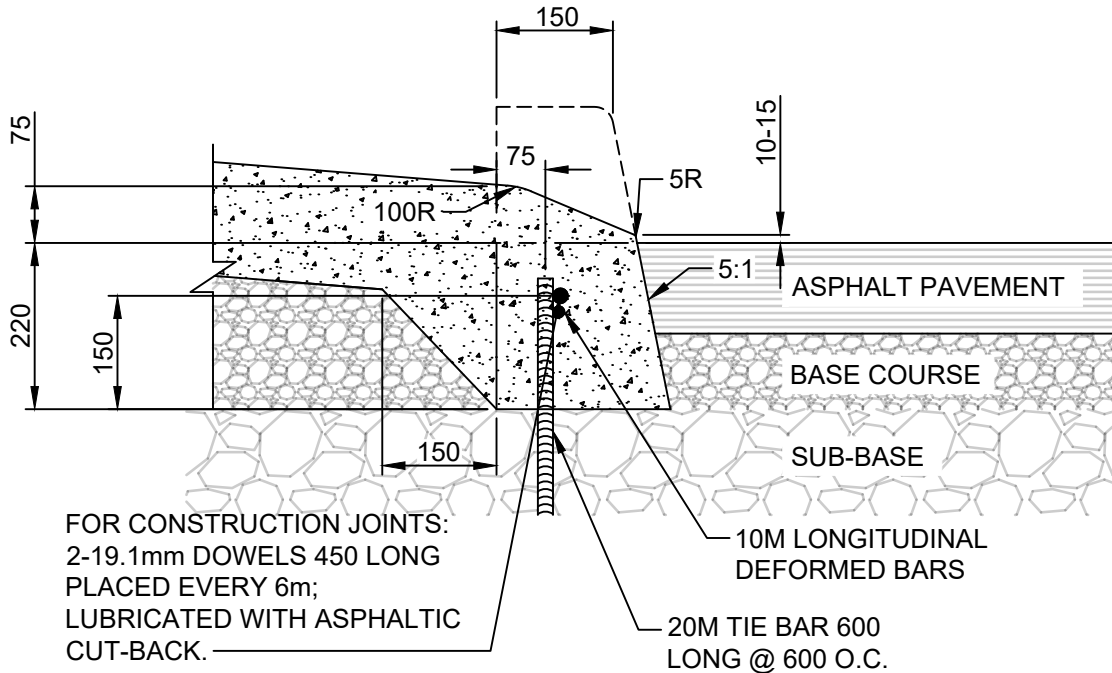
THE CITY OF WINNIPEG
PUBLIC WORKS DEPARTMENT

Reference Spec. No.
CW 3325

Revisions			
No.	Date	Description	By
1.	FEB 25	ADDED ROUNDED FRAME	T.K.

CURB AND GUTTER INLET
ISOLATION DETAIL FOR
ASPHALT PAVEMENTS

Designed By: A.G.	Drawn By: R.B.	Scale : N.T.S.
Checked By: B.K.	Date: 2024-10-01	Drawing No. SD-220D
Approved: PAVEMENT MANAGEMENT BRANCH		DRAFT



NOTES:

1. TRANSVERSE SAW CUT EVERY 3m OR AT PAVEMENT JOINTS
2. TRANSVERSE SAW CUTS ARE TO BE A MAXIMUM DEPTH OF 25mm

DIMENSIONS IN MILLIMETRES



THE CITY OF WINNIPEG
PUBLIC WORKS DEPARTMENT

Reference Spec. No.
CW 3325

Revisions

No.	Date	Description	By

**75 mm LIP CURB WITH
INTEGRAL APPROACH
FOR ASPHALT PAVEMENT**

Designed By:
A.G.

Drawn By:
R.B.

Scale :
N.T.S

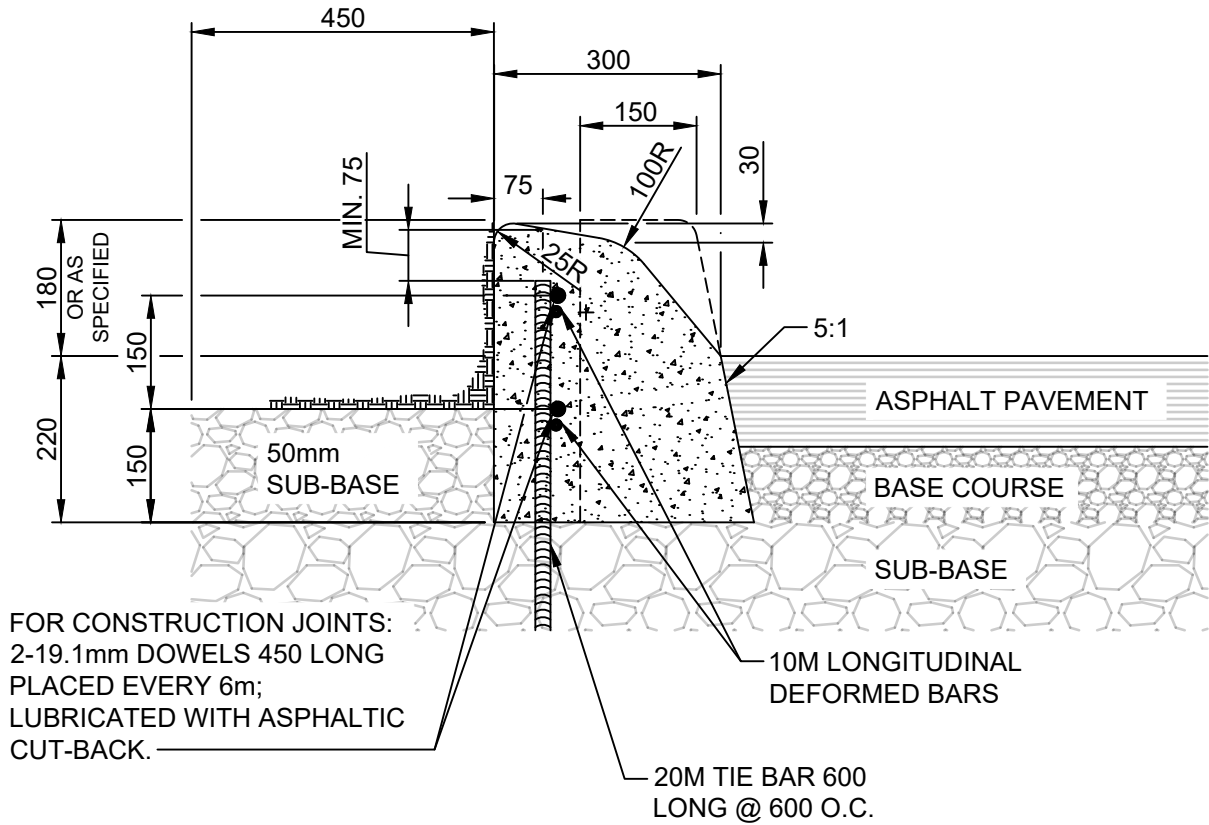
Checked By:
B.K.

Date:
2024-10-01

Drawing No.

Approved:
PAVEMENT MANAGEMENT BRANCH

SD-202C



NOTES:

1. TRANSVERSE SAW CUT EVERY 3m OR AT PAVEMENT JOINTS
2. TRANSVERSE SAW CUTS ARE TO BE A MAXIMUM DEPTH OF 25mm

DIMENSIONS IN MILLIMETRES



THE CITY OF WINNIPEG
 PUBLIC WORKS DEPARTMENT

Reference Spec. No.
 CW 3325

Revisions

No.	Date	Description	By

**MODIFIED BARRIER CURB
 FOR ASPHALT PAVEMENT**

Designed By:
 A.G.

Checked By:
 B.K.

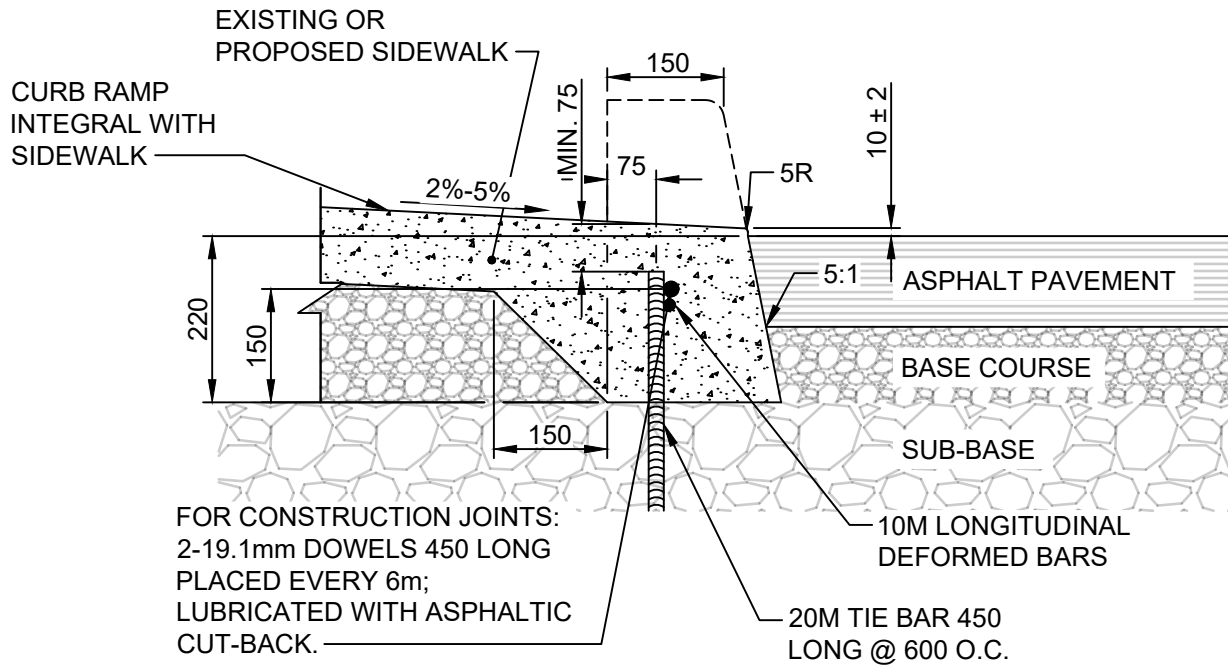
Approved:
 PAVEMENT MANAGEMENT BRANCH

Drawn By:
 R.B.

Date:
 2024-10-01

Scale :
N.T.S

Drawing No.
SD-203C



NOTES:

1. TRANSVERSE SAW CUT EVERY 3m OR AT PAVEMENT JOINTS
2. TRANSVERSE SAW CUTS ARE TO BE A MAXIMUM DEPTH OF 25mm

DIMENSIONS IN MILLIMETRES



THE CITY OF WINNIPEG
PUBLIC WORKS DEPARTMENT

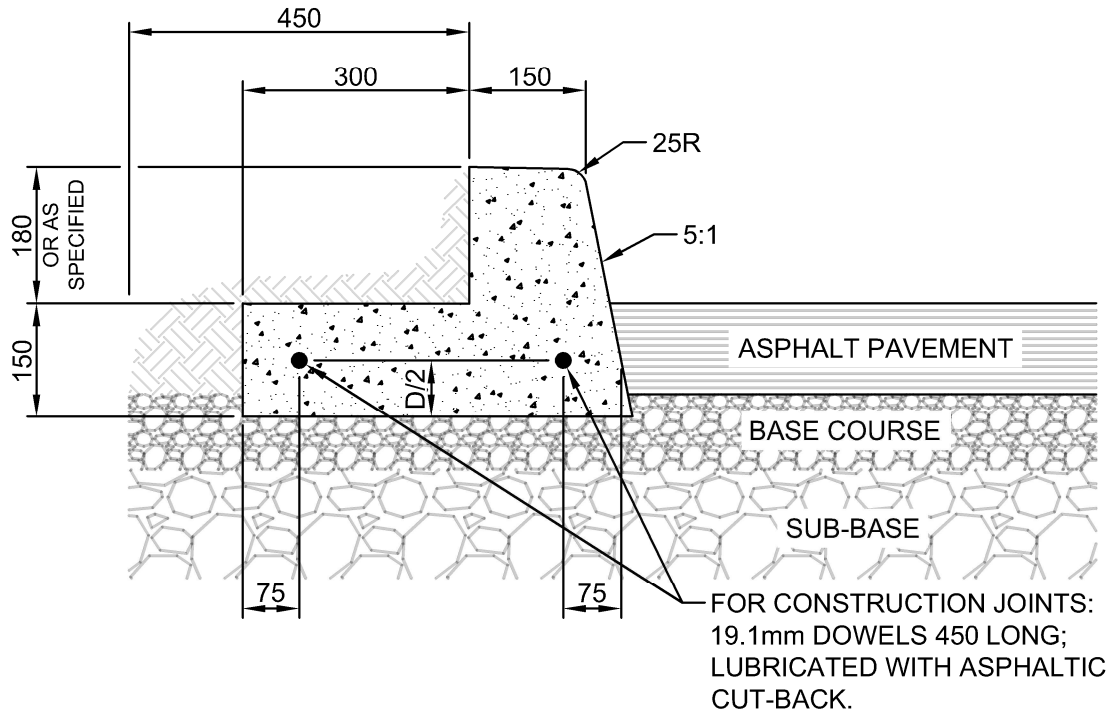
Reference Spec. No.
CW 3325

Revisions

No.	Date	Description	By

**CURB RAMP FOR
ASPHALT PAVEMENT**

Designed By: A.G.	Drawn By: R.B.	Scale : N.T.S Drawing No. SD-229F
Checked By: B.K.	Date: 2024-03-19	
Approved: PAVEMENT MANAGEMENT BRANCH		



NOTES:

1. TRANSVERSE SAW CUT EVERY 3m OR AT PAVEMENT JOINTS
2. TRANSVERSE SAW CUTS ARE TO BE A MAXIMUM DEPTH OF 25mm

DIMENSIONS IN MILLIMETRES



THE CITY OF WINNIPEG
PUBLIC WORKS DEPARTMENT

Reference Spec. No.
CW 3325

Revisions

No.	Date	Description	By

**BARRIER CURB AND
REVERSED GUTTER FOR
ASPHALT PAVEMENT**

Designed By:
A.G.

Drawn By:
T.K.

Scale :
N.T.S

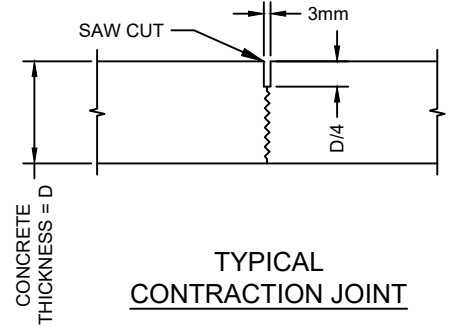
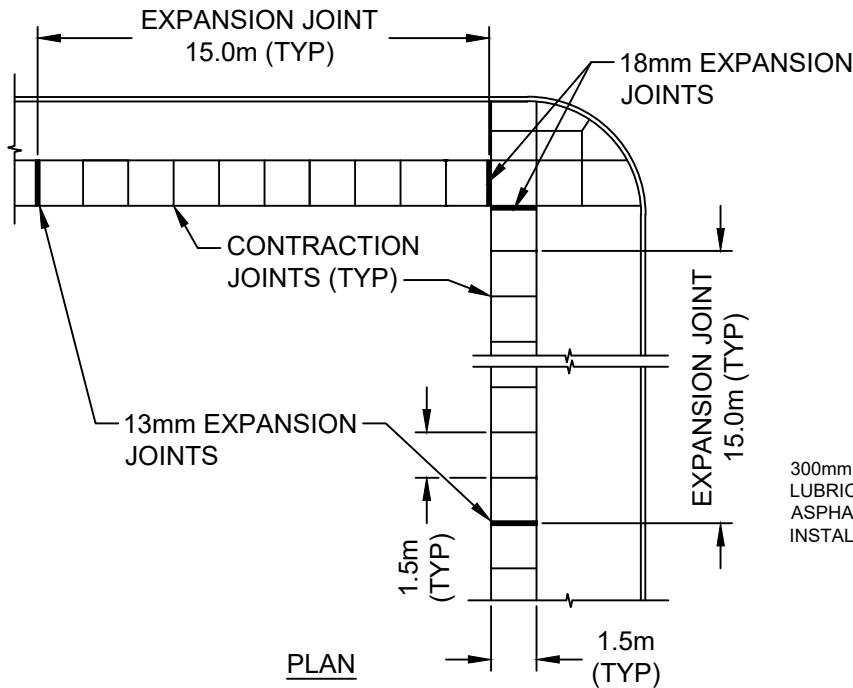
Checked By:
B.K.

Date:
2025-02-06

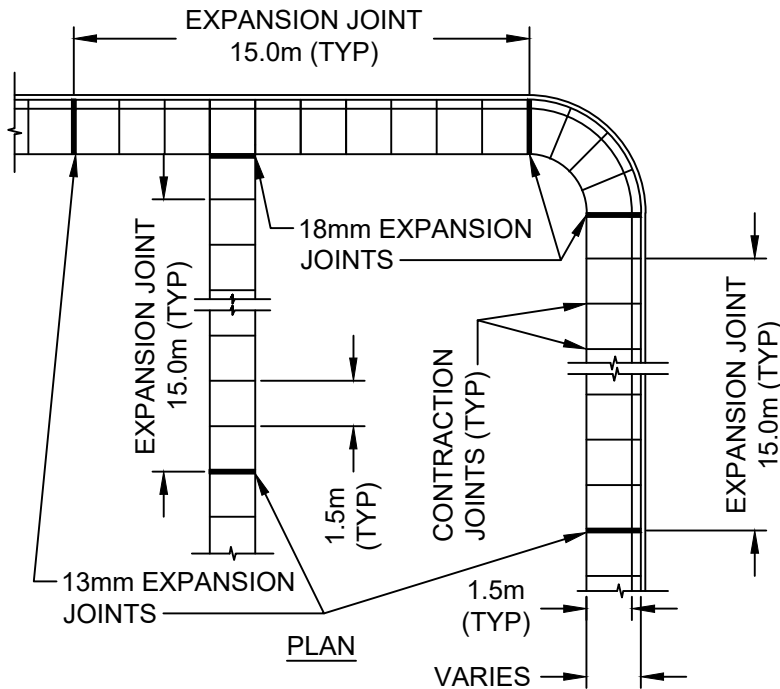
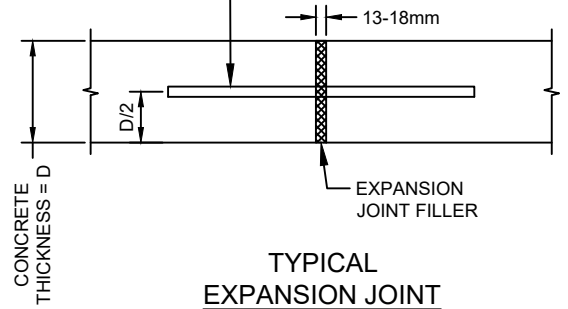
Drawing No.

Approved:
PAVEMENT MANAGEMENT BRANCH

SD-200AA



300mm LONG 10M DOWELS
LUBRICATED WITH
ASPHALTIC CUT-BACK,
INSTALLED 450mm O/C



NOTES:

1. IF SIDEWALK IS CONSTRUCTED DURING COLD WEATHER CONCRETING PERIOD, EXPANSION JOINTS SHALL BE INSTALLED EVERY 12.0m
2. EXPANSION JOINTS SHALL NOT BE INSTALLED WHEN CONSTRUCTING MONOLITHIC CURB AND SIDEWALK
3. EXPANSION JOINTS SHALL BE INSTALLED WHEN INSTALLING SEPARATE CONCRETE SPLASH STRIP
4. WHEN REPLACING HEAVED PANELS IN AN EXISTING SIDEWALK, EXPANSION JOINTS SHALL BE INSTALLED ON BOTH ENDS OF THE REPLACED PANELS



THE CITY OF WINNIPEG
PUBLIC WORKS DEPARTMENT

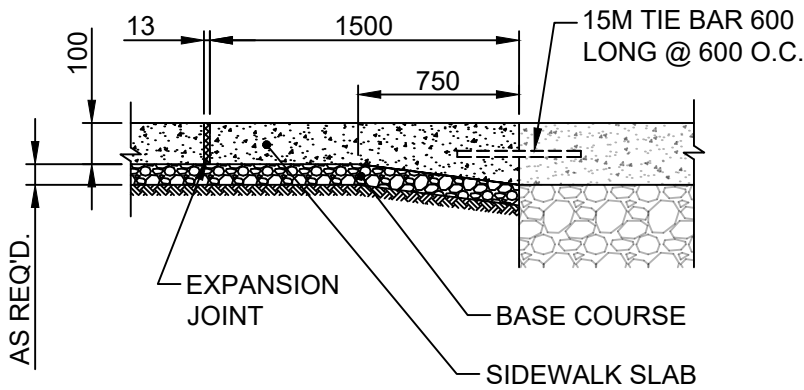
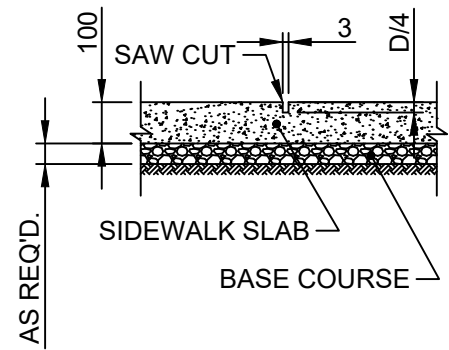
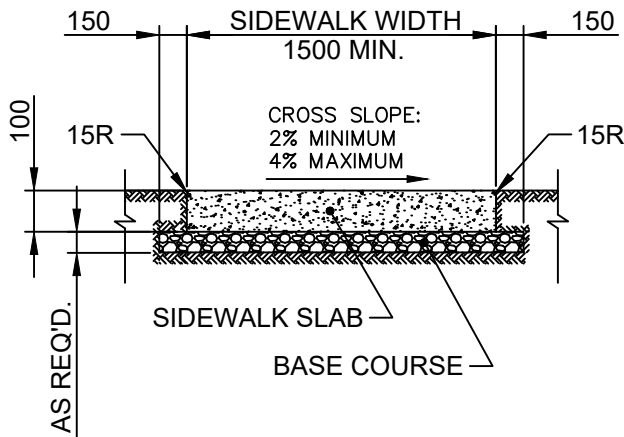
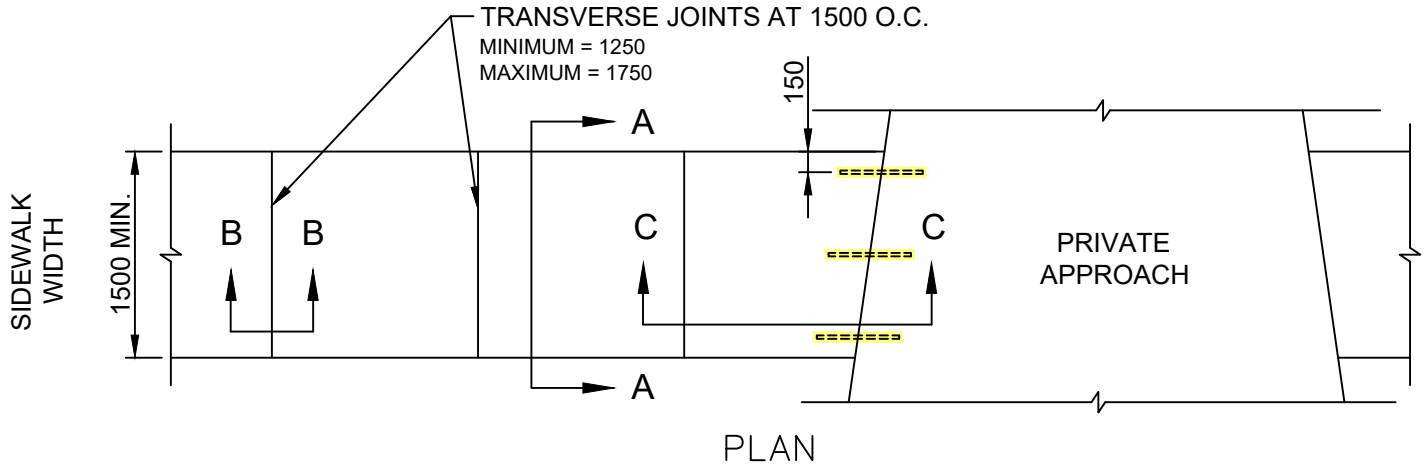
Reference Spec. No.
CW 3325

SIDEWALK EXPANSION
JOINTS

Revisions

No.	Date	Description	By
1.	FEB 25	ADDED DOWELS	T.K.

Designed By: A.G.	Drawn By: R.B.	Scale : N.T.S.
Checked By: B.K.	Date: 2024-10-01	Drawing No.
Approved: PAVEMENT MANAGEMENT BRANCH		SD-228AA



NOTE:

1. SIDEWALK SLAB SURFACE WILL BE GIVEN A TEXTURED BROOM FINISH. NO EDGER MARKS WILL BE LEFT
2. LONGITUDINAL JOINTS AT 1500 O.C. MAXIMUM
3. FOR PRIVATE APPROACHES WITH CURBS, CURB RAMPS SHALL BE INSTALLED

DIMENSIONS IN MILLIMETRES



THE CITY OF WINNIPEG
PUBLIC WORKS DEPARTMENT

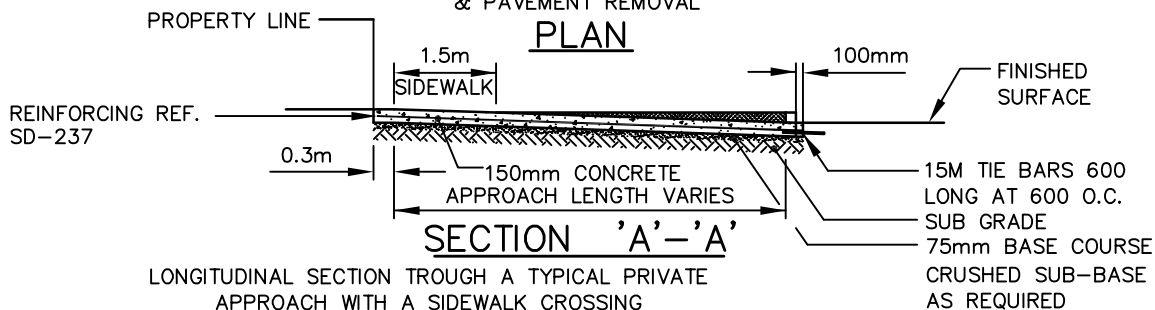
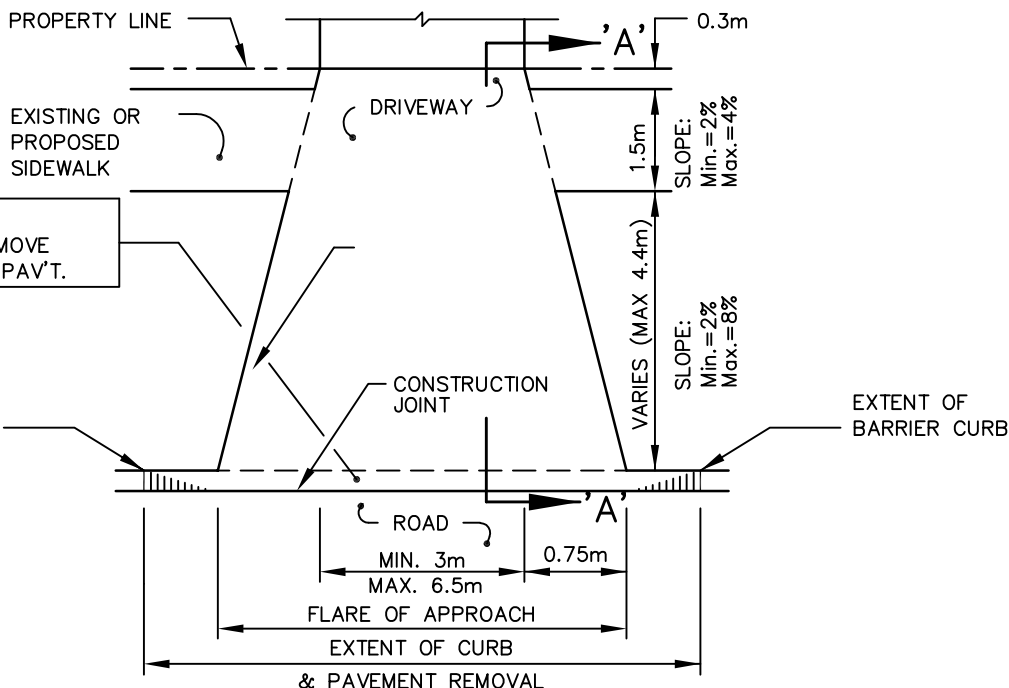
Reference Spec. No.
CW 3235, CW 3310, CW 3325

CONCRETE SIDEWALK

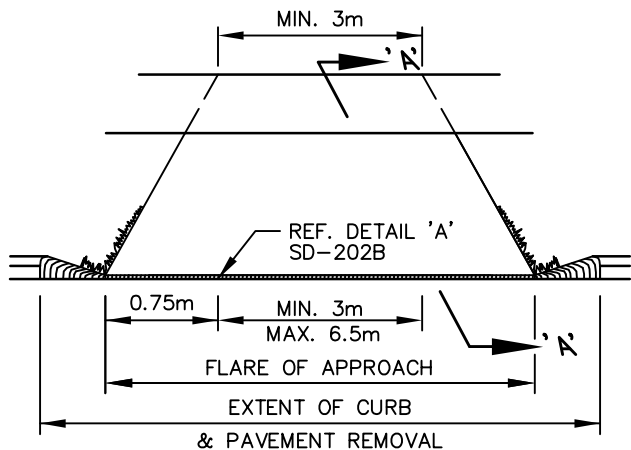
Revisions			
No.	Date	Description	By
1.	OCT 24	ADDED TIE BARS	R.B.
Designed By:		Drawn By:	Scale :
A.G.		R.B.	N.T.S.
Checked By:		Date:	Drawing No.
B.K.		2024-10-01	SD-228A
Approved:			
PAVEMENT MANAGEMENT BRANCH			

NOTE #1:
SAW CUT AND REMOVE
BARRIER CURB & PAV'T.

EXTENT OF
BARRIER CURB



LONGITUDINAL SECTION THROUGH A TYPICAL PRIVATE
APPROACH WITH A SIDEWALK CROSSING




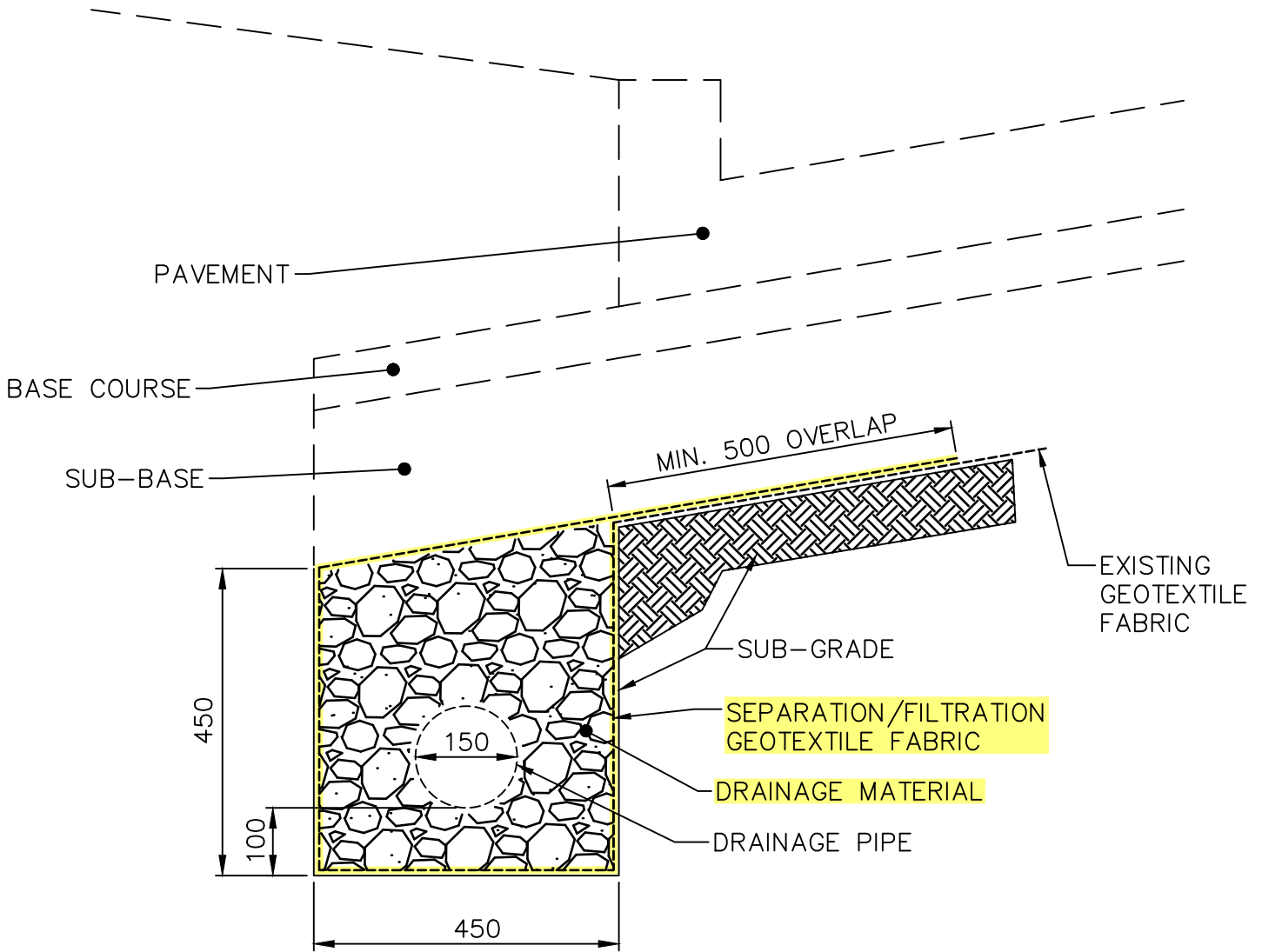
FRONTAL PERSPECTIVE OF
FINISHED PRIVATE APPROACH

NOTES:

- EXISTING SIDEWALK SHALL BE REMOVED, THE APPROACH EXTENDED BACK TO THE PROPERTY LINE AND THE SIDEWALK RESTORED TO THE EDGE OF THE APPROACH AS SHOWN.
- M.H. ISOLATIONS TO BE APPROVED BY CONTRACT ADMINISTRATOR.
- CONTRACTION JOINT AS REQUIRED TO MATCH STREET TRANSVERSE JOINTS.

DIMENSIONS IN MILLIMETRES

 <p>THE CITY OF WINNIPEG PUBLIC WORKS DEPARTMENT</p>	Revisions			
Reference Spec. No. CW 3230, CW3240, CW 3310	1.	JAN 15	CHANGED FLARE TO 0.75m	T.K.
	No.	Date	Description	By
<p>RESIDENTIAL APPROACH—CONCRETE (WITH EXISTING BARRIER CURB)</p>	Designed By:	A.G.	Drawn By:	R.B.
	Checked By:	B.K.	Date:	2024-10-01
	Approved:	PAVEMENT MANAGEMENT BRANCH		Scale : N.T.S.
				Drawing No. SD-235



DIMENSIONS IN MILLIMETRES



THE CITY OF WINNIPEG
PUBLIC WORKS DEPARTMENT

Reference Spec. No.
CW 3110, CW 3120, CW 3130

Revisions

No.	Date	Description	By
1.	OCT 24	GENERAL REVISION	R.B.

SUBDRAIN INSTALLATION
DETAIL

Designed By: A.G.	Drawn By: R.B.	Scale : N.T.S.
Checked By: B.K.	Date: 2024-10-01	Drawing No. SD-245
Approved: PAVEMENT MANAGEMENT BRANCH		