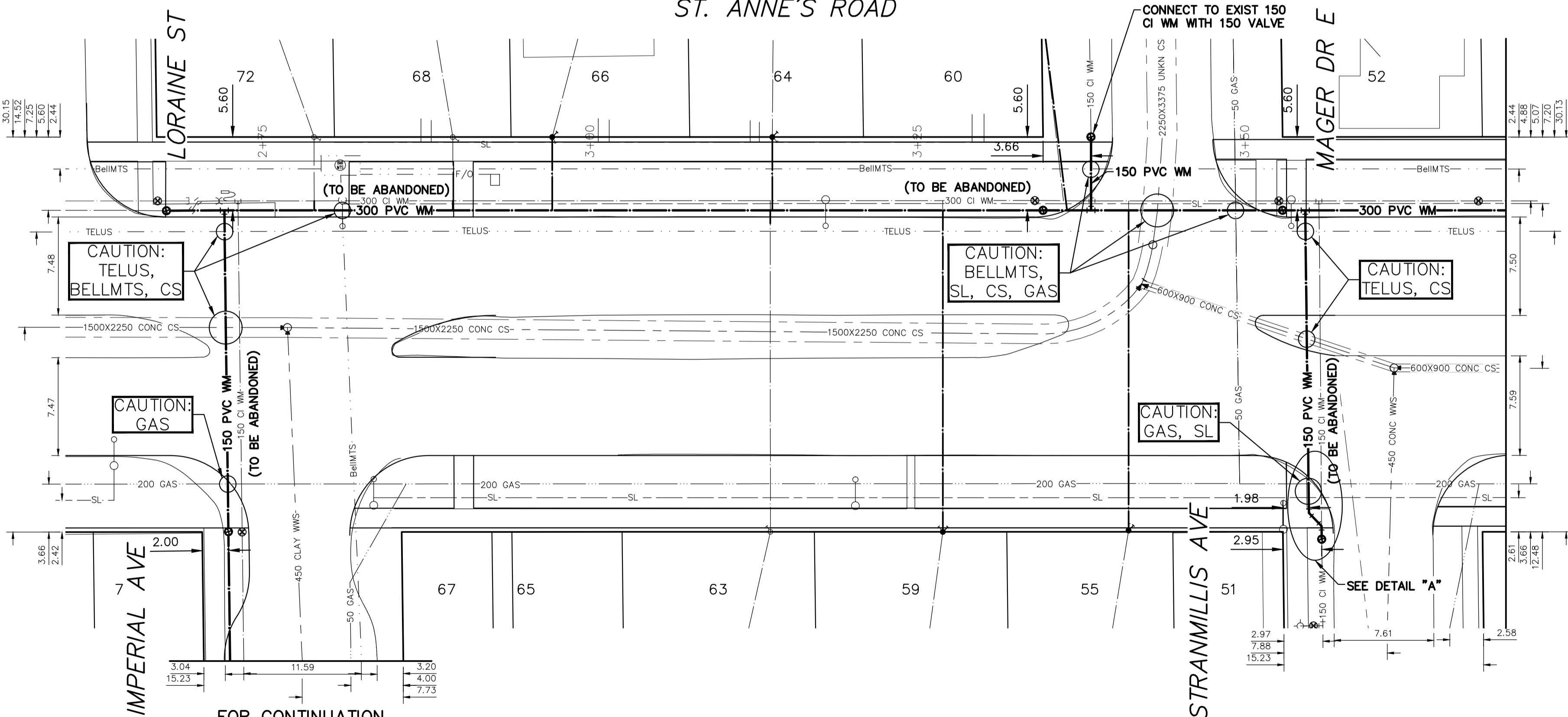


NOTE: CHAINAGES SHOWN ARE ALONG W.P. OF ST. ANNE'S RD



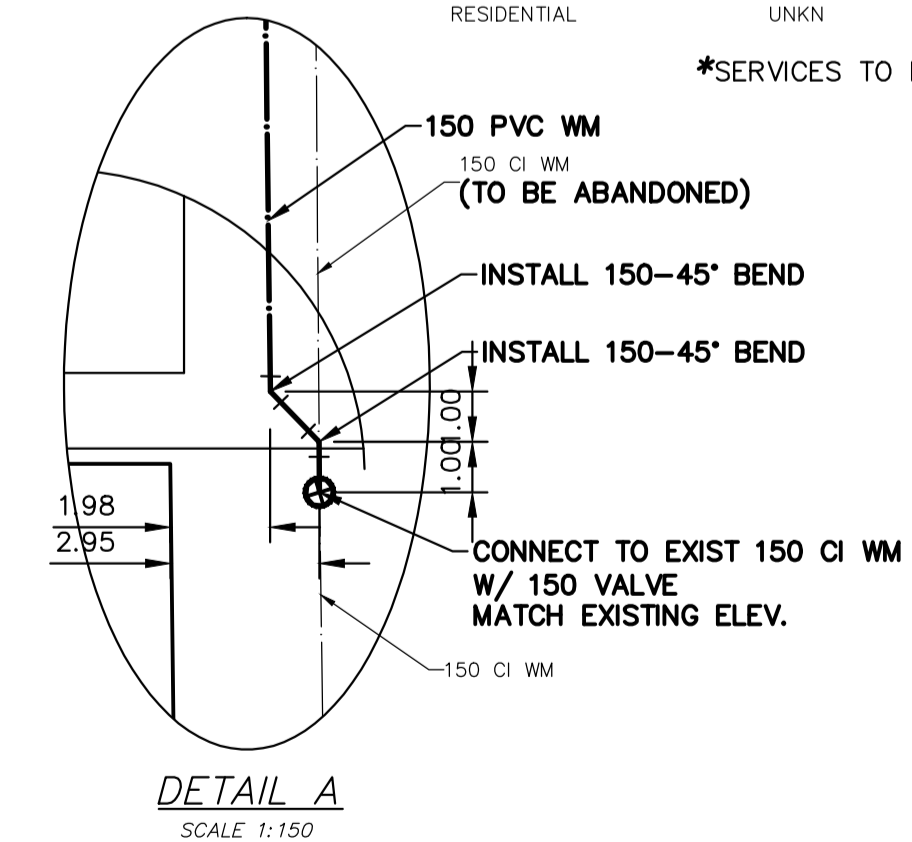
ST. ANNE'S ROAD



WATER SERVICE INFORMATION

ADDRESS	SIZE (mm) MATERIAL (STREET)	SIZE (mm) (PROP.)	SHORT & LONG MEASUREMENT	CORP. LOCATION	REMARKS
*55 ST. ANNE'S ROAD	UNKN	12	2.67 SNL HSE	OPP S/C	RENEW TO R
RESIDENTIAL	UNKN	LEAD	6.528 NSL MAGER DR E	OPP S/C	RENEW TO R
*59 ST. ANNE'S ROAD	UNKN	12	3.07 SNL HSE	OPP S/C	RENEW TO R
RESIDENTIAL	UNKN	CU	7.654 SSL MAGER DR E	OPP S/C	RENEW TO R
*60 ST. ANNE'S ROAD	UNKN	12	3.30 WEL HSE	1.7 N OF S/C	RENEW TO R
COMMERCIAL	UNKN	CU	10.158 WML ST. ANNE'S RD		
63 ST. ANNE'S ROAD	UNKN	20	1.56 SNL HSE	OPP S/C	RECONNECT SERVICE
COMMERCIAL	UNKN	CU	20.822 SSL MAGER DR E	OPP S/C	RENEW TO R
*64 ST. ANNE'S ROAD	UNKN	12	3.01 SNL HSE	OPP S/C	RENEW TO R
RESIDENTIAL	UNKN	CU	20.664 SSL MAGER DR E	OPP S/C	RENEW TO R
*66 ST. ANNE'S ROAD	UNKN	12	2.19 NSL HSE	OPP S/C	RENEW TO R
COMMERCIAL	UNKN	CU	30.199>NNL LORAIN ST		
68 ST. ANNE'S ROAD	UNKN	20	1.92 SNL HSE	OPP S/C	RECONNECT SERVICE
RESIDENTIAL	UNKN	CU	22.607>NNL LORAIN ST	OPP S/C	RECONNECT SERVICE
72 ST. ANNE'S ROAD	UNKN	20	0.97 SNL HSE	OPP S/C	RECONNECT SERVICE
RESIDENTIAL	UNKN	CU	12.016>NNL LORAIN ST		

*SERVICES TO BE RENEWED TO R. ALL OTHERS TO BE RECONNECTED



DETAIL A
SCALE 1:150

MATCHLINE AT 3+70.00
SEE DWG D-17182

FOR CONTINUATION
SEE DWG D-17185

NOTE: ALL VALVES TO BE INSTALLED
CLOCKWISE TO CLOSE

METRIC
WHOLE NUMBERS INDICATE MILLIMETRES
DECIMALIZED NUMBERS INDICATE METRES



WARNING
IF POWER EQUIPMENT OR EXPLOSIVES ARE TO BE USED FOR EXCAVATION ON THIS PROJECT THE CONTRACTOR MUST:
1) NOTIFY THE GAS COMPANY OF THE PROPOSED LOCATION OF EXCAVATION.
2) TAKE PRECAUTION TO AVOID DAMAGE TO GAS COMPANY INSTALLATIONS.
SEE PROVINCIAL REGULATION 21072 FOR DETAILS

LOCATION APPROVED
UNDERGROUND STRUCTURES
SUPV. U/G STRUCTURES COMMITTEE DATE
NOTE:
LOCATION OF UNDERGROUND STRUCTURES AS SHOWN ARE BASED ON THE BEST INFORMATION AVAILABLE BUT NO GUARANTEE IS GIVEN THAT ALL EXISTING UTILITIES ARE SHOWN OR THAT THE GIVEN LOCATIONS ARE EXACT. CONFIRMATION OF EXISTENCE AND EXACT LOCATION OF ALL SERVICES MUST BE OBTAINED FROM THE INDIVIDUAL UTILITIES BEFORE PROCEEDING WITH CONSTRUCTION.

B.M. ELEV.				
G				
F				
E				
D				
C				
B	ISSUED FOR TENDER	2025/02/18	N.T.	
A	PRELIMINARY DESIGN	2025/01/27	N.T.	
NO.	REVISIONS	DATE	BY	

wsp
1600 Buffalo Place
Winnipeg, Manitoba
R3T 6B8 Canada
Phone: 204-477-6650
Fax: 204-474-2864
wsp.com

DESIGNED BY: N.T.
CHECKED BY: K.G.
DRAWN BY: N.T.
APPROVED BY: S.M.
RELEASED FOR CONSTRUCTION
DATE: 2025 02 18

ENGINEER'S SEAL
CONSULTANT DRAWING NUMBER
CA0043377.5914-13

THE CITY OF WINNIPEG
WATER AND WASTE DEPARTMENT
ENGINEERING DIVISION

2025 ST. ANNE'S WATERMAIN RENEWAL

ST. ANNE'S ROAD
LORAIN ST TO
17.1 EEL OF MAGER DR E

SHEET 04 OF 09
CITY DRAWING NUMBER
D-17181