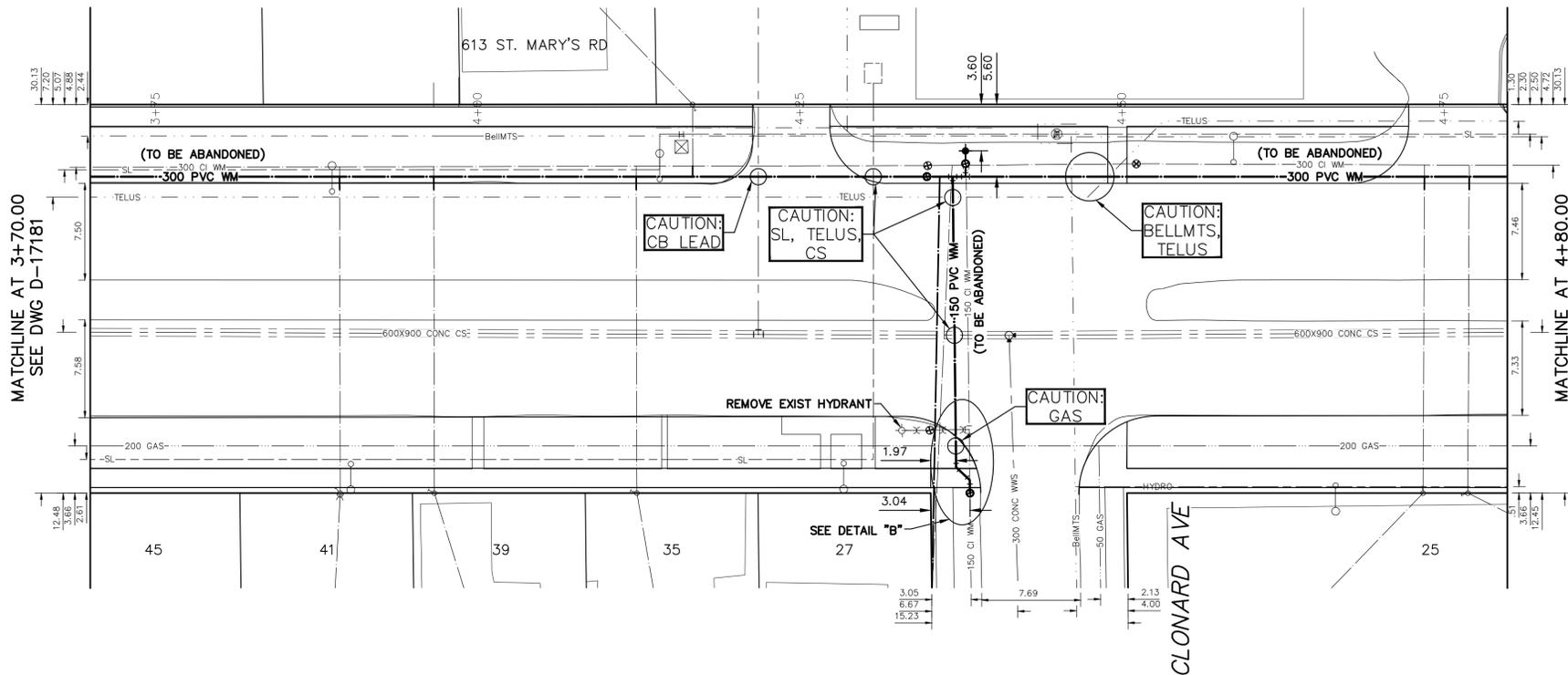
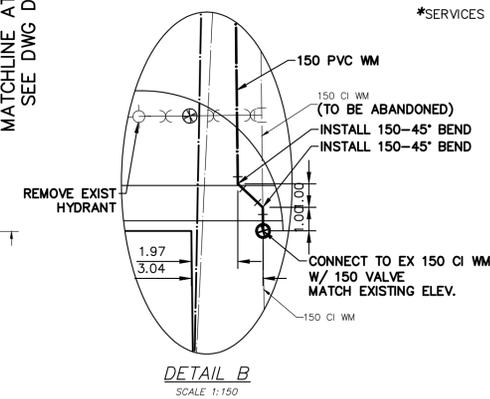


NOTE: CHAINAGES SHOWN ARE ALONG W P OF ST. ANNE'S RD

ST. ANNE'S ROAD



MATCHLINE AT 4+80.00
SEE DWG D-17183



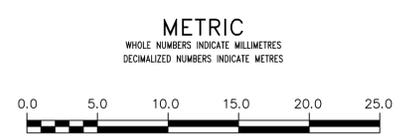
WATER SERVICE INFORMATION

ADDRESS	SIZE (mm) MATERIAL (STREET)	SIZE (mm) MATERIAL (PROP.)	SHORT & LONG MEASUREMENT	CORP. LOCATION	REMARKS
25 ST. ANNE'S ROAD	UNKN	20	19.88 NSL HSE	OPP S/C	RECONNECT SERVICE
COMMERCIAL	UNKN	CU	22.989>NNL CLONARD AVE	OPP S/C	RECONNECT SERVICE
25 ST. ANNE'S ROAD	UNKN	20	23.35 NSL HSE	OPP S/C	RECONNECT SERVICE
COMMERCIAL	UNKN	CU	26.501>NNL CLONARD AVE	OPP S/C	RECONNECT SERVICE
*27 ST. ANNE'S ROAD	UNKN	12	0.88 EWL HSE	1.6 N OF S/C	RENEW TO P
COMMERCIAL	UNKN	LEAD	7.973 EEL ST. ANNE'S RD		
35 ST. ANNE'S ROAD	UNKN	20	3.99 NSL HSE	OPP S/C	RECONNECT SERVICE
COMMERCIAL	UNKN	CU	22.824 SSL CLONARD AVE	OPP S/C	RECONNECT SERVICE
39 ST. ANNE'S ROAD	UNKN	20	1.09 NSL HSE	OPP S/C	RECONNECT SERVICE
COMMERCIAL	UNKN	CU	38.517 SSL CLONARD AVE	OPP S/C	RECONNECT SERVICE
41 ST. ANNE'S ROAD	UNKN	UNKN	3.25 SNL HSE	OPP S/C	RECONNECT SERVICE
COMMERCIAL	UNKN	UNKN	45.829 SSL CLONARD		
613 ST. MARY'S ROAD	UNKN	25	6.64 NSL HSE	OPP S/C	RECONNECT SERVICE
COMMERCIAL	UNKN	CU	18.485 SSL CLONARD AVE		

*SERVICES TO BE RENEWED TO P. ALL OTHERS TO BE RECONNECTED

ENGINEERS GEOSCIENTISTS MANITOBA
Certificate of Authorization
WSP Canada Inc.
No. 5750

NOTE: ALL VALVES TO BE INSTALLED CLOCKWISE TO CLOSE



WARNING
IF POWER EQUIPMENT OR EXPLOSIVES ARE TO BE USED FOR EXCAVATION ON THIS PROJECT THE CONTRACTOR MUST:
1) NOTIFY THE GAS COMPANY OF THE PROPOSED LOCATION OF EXCAVATION.
2) TAKE PRECAUTION TO AVOID DAMAGE TO GAS COMPANY INSTALLATIONS.
SEE PROVINCIAL REGULATION 210/72 FOR DETAILS

LOCATION APPROVED UNDERGROUND STRUCTURES
SUPV. U/G STRUCTURES COMMITTEE DATE
NOTE:
LOCATION OF UNDERGROUND STRUCTURES AS SHOWN ARE BASED ON THE BEST INFORMATION AVAILABLE BUT NO GUARANTEE IS GIVEN THAT ALL EXISTING UTILITIES ARE SHOWN OR THAT THE GIVEN LOCATIONS ARE EXACT. CONFIRMATION OF EXISTENCE AND EXACT LOCATION OF ALL SERVICES MUST BE OBTAINED FROM THE INDIVIDUAL UTILITIES BEFORE PROCEEDING WITH CONSTRUCTION.

B.M. ELEV.			
G			
F			
E			
D			
C			
B	ISSUED FOR TENDER	2025/02/18	N.T.
A	PRELIMINARY DESIGN	2025/01/27	N.T.
NO.	REVISIONS	DATE	BY

wsp		1600 Buffalo Place Winnipeg, Manitoba R3T 6B8 Canada Phone: 204-477-6650 Fax: 204-474-2864 wsp.com	
DESIGNED BY	N.T.	CHECKED BY	K.G.
DRAWN BY	N.T.	APPROVED BY	S.M.
SCALE:		RELEASED FOR CONSTRUCTION	
HORIZONTAL	1:250		
VERTICAL	1:50		
DATE	2025 02 18		

ENGINEER'S SEAL
CONSULTANT DRAWING NUMBER
CA0043377.5914-14

THE CITY OF WINNIPEG
WATER AND WASTE DEPARTMENT
ENGINEERING DIVISION

2025 ST. ANNE'S WATERMAIN RENEWAL

ST. ANNE'S ROAD
17.1 EEL OF MAGER DR E TO
60.6 WWL OF ST. MARY'S RD

SHEET 05 OF 09
CITY DRAWING NUMBER
D-17182