

Drawing Title:

Drawing No:

TACHE STYLE ACCESSIBLE METAL FRAME PICNIC TABLE

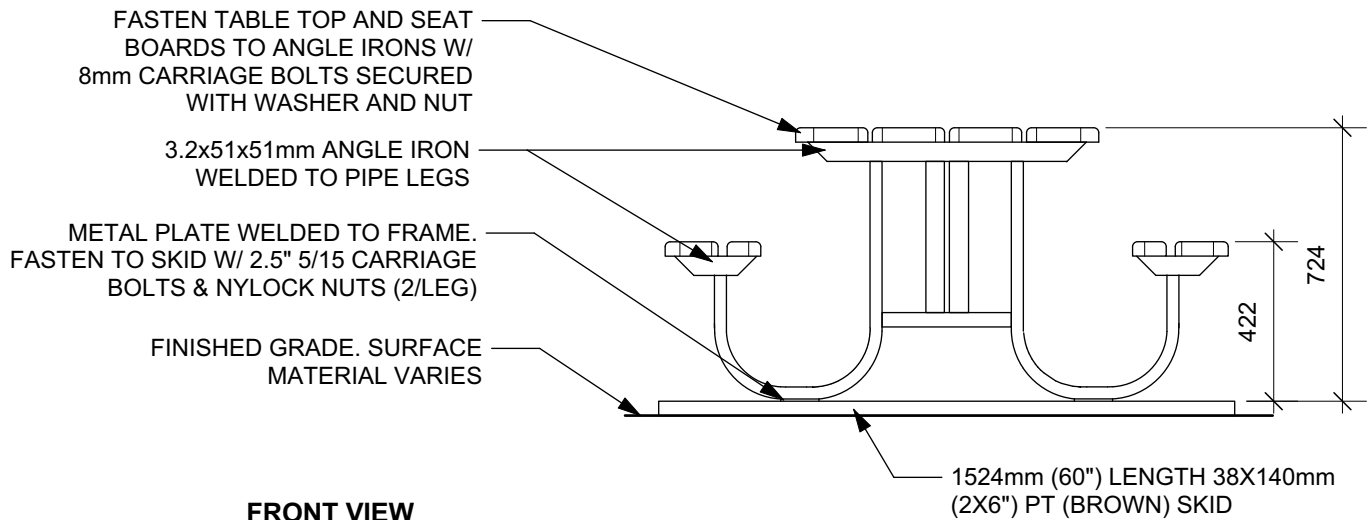
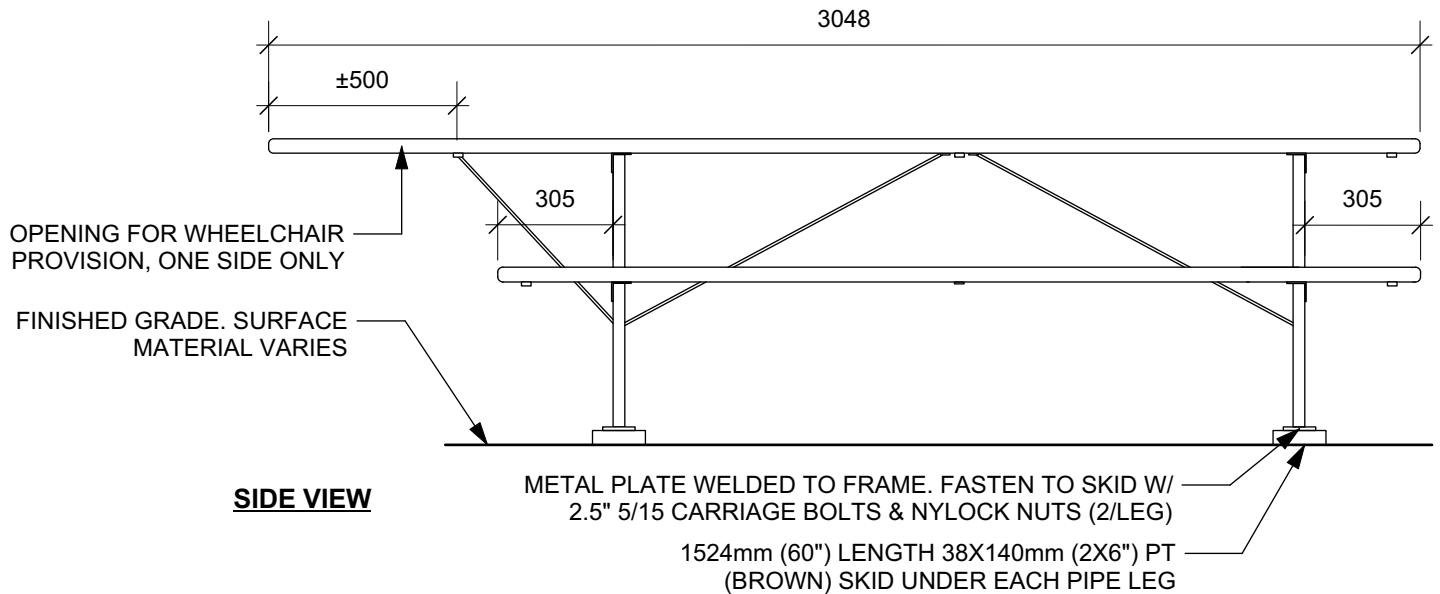
SCD-122A

MATERIALS

1. WOOD SLATS: 38x101mm SPRUCE BOARDS
2. FRAME: WELDED STEEL W/ GALVANIZED FINISH

MOUNTING OPTIONS

1. SOD: ON SKIDS W/ 1 DUCKBILL ANCHOR
2. GRANULAR/ASPHALT PAVEMENT: ON SKIDS W/ 2 DUCKBILL ANCHORS
3. CONCRETE PAVEMENT: NO SKIDS, SURFACE MOUNT W/ MIN 75mm DEPTH WEDGE ANCHORS & WASHERS



DIMENSIONS SHOWN ARE IN MILLIMETRES UNLESS OTHERWISE SPECIFIED

REVISION: 5
 DATE: April 2024
 SCALE: N.T.S.
 DRAWN BY: MG

The City of Winnipeg
 Planning, Property and Development Department
 Planning and Land Use Division
 Unit 15 - 30 Fort Street, Winnipeg, MB, R3C 4X5

