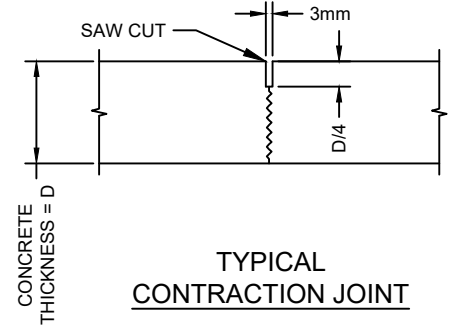
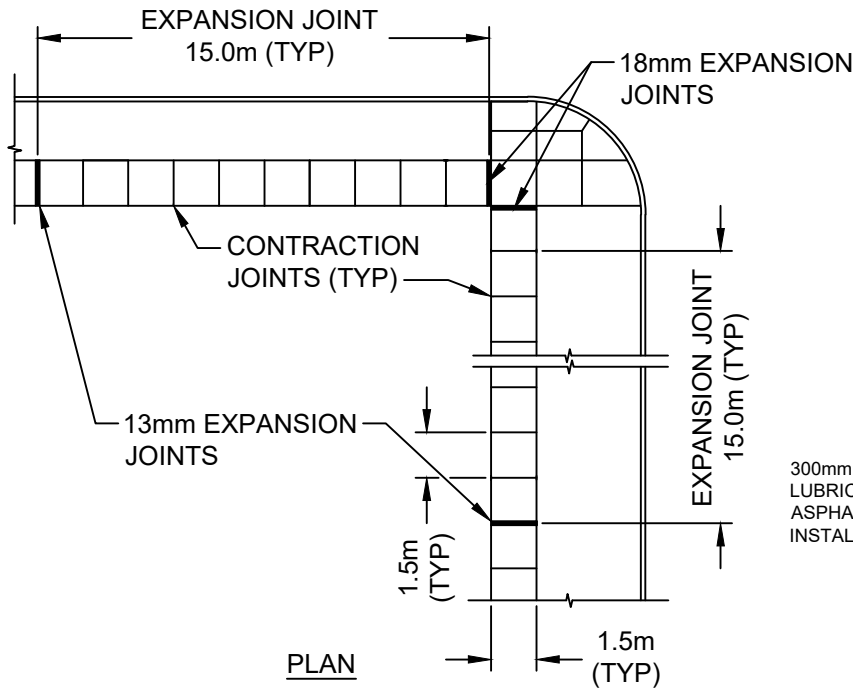
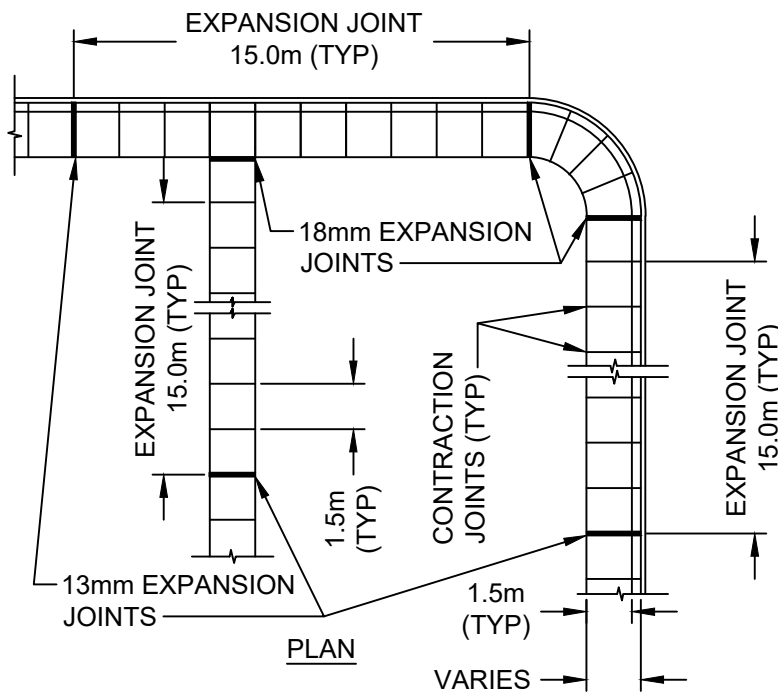
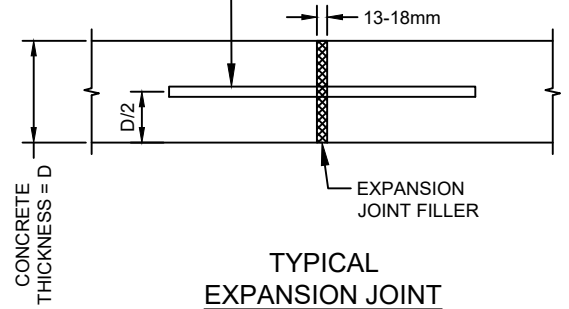


**APPENDIX 'G' – STANDARD DETAIL DRAWING FOR SIDEWALK EXPANSION
JOINTS: SD-228AA**



300mm LONG 10M DOWELS
LUBRICATED WITH
ASPHALTIC CUT-BACK,
INSTALLED 450mm O/C



- NOTES:
1. IF SIDEWALK IS CONSTRUCTED DURING COLD WEATHER CONCRETING PERIOD, EXPANSION JOINTS SHALL BE INSTALLED EVERY 12.0m
 2. EXPANSION JOINTS SHALL NOT BE INSTALLED WHEN CONSTRUCTING MONOLITHIC CURB AND SIDEWALK
 3. EXPANSION JOINTS SHALL BE INSTALLED WHEN INSTALLING SEPARATE CONCRETE SPLASH STRIP
 4. WHEN REPLACING HEAVED PANELS IN AN EXISTING SIDEWALK, EXPANSION JOINTS SHALL BE INSTALLED ON BOTH ENDS OF THE REPLACED PANELS



THE CITY OF WINNIPEG
PUBLIC WORKS DEPARTMENT

Reference Spec. No.
CW 3325

SIDEWALK EXPANSION
JOINTS

Revisions

No.	Date	Description	By
1.	FEB 25	ADDED DOWELS	T.K.

Designed By: A.G.	Drawn By: R.B.	Scale : N.T.S.
Checked By: B.K.	Date: 2024-10-01	Drawing No.
Approved: PAVEMENT MANAGEMENT BRANCH		SD-228AA