

**APPENDIX 'H' – STANDARD DETAIL DRAWING FOR TACHE BENCH COMPOSITE
WITH ARMS AND ACCESSIBLE BENCH NODE: SCD-121A, SCD-136A**

MATERIALS

COMPOSITE SLATS:

- 89mm x 89mm COMPOSITE BOARDS
- CEDAR TONE FINISH

METAL OPTIONS:

- **GALVANIZED** - Product # 52501071GLV

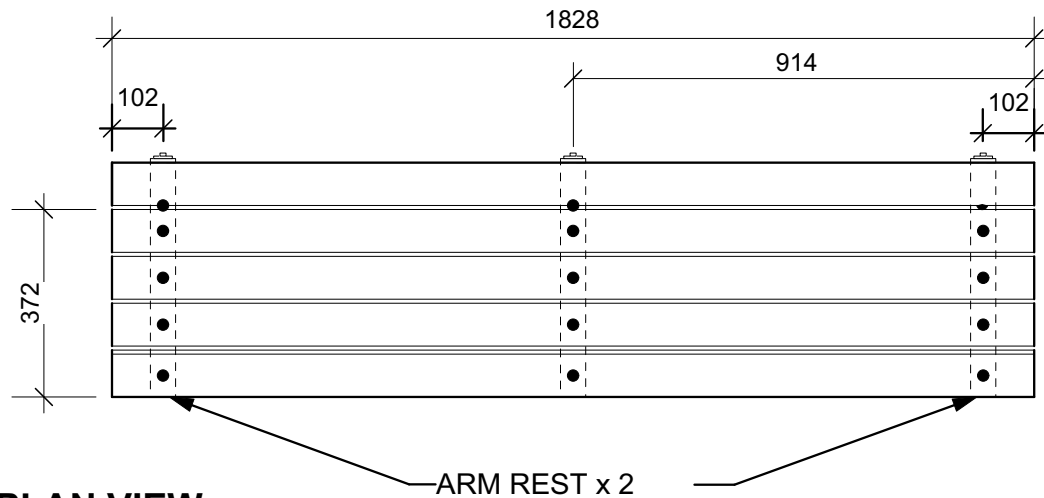
Drawing Title:

TACHE BENCH COMPOSITE WITH ARMS Surface Mount

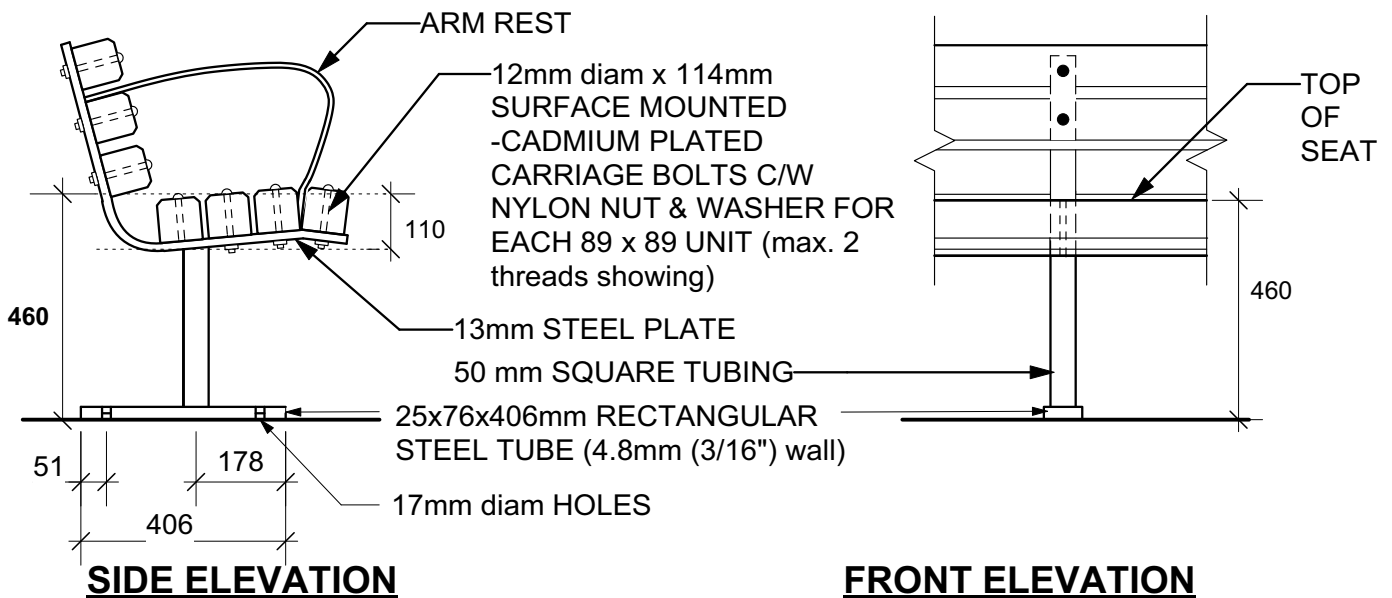
Drawing No:

SCD-121E

Anchor bench to concrete foundation using expansion bolts (not included)



PLAN VIEW



DIMENSIONS SHOWN ARE IN MILLIMETRES UNLESS OTHERWISE SPECIFIED

REVISION: 1
DATE: August 06, 2020
SCALE: NTS
DRAWN BY: GZ

The City of Winnipeg
Planning, Property and Development Department
Planning and Land Use Division
Unit 15 - 30 Fort Street, Winnipeg, MB, R3C 4X5

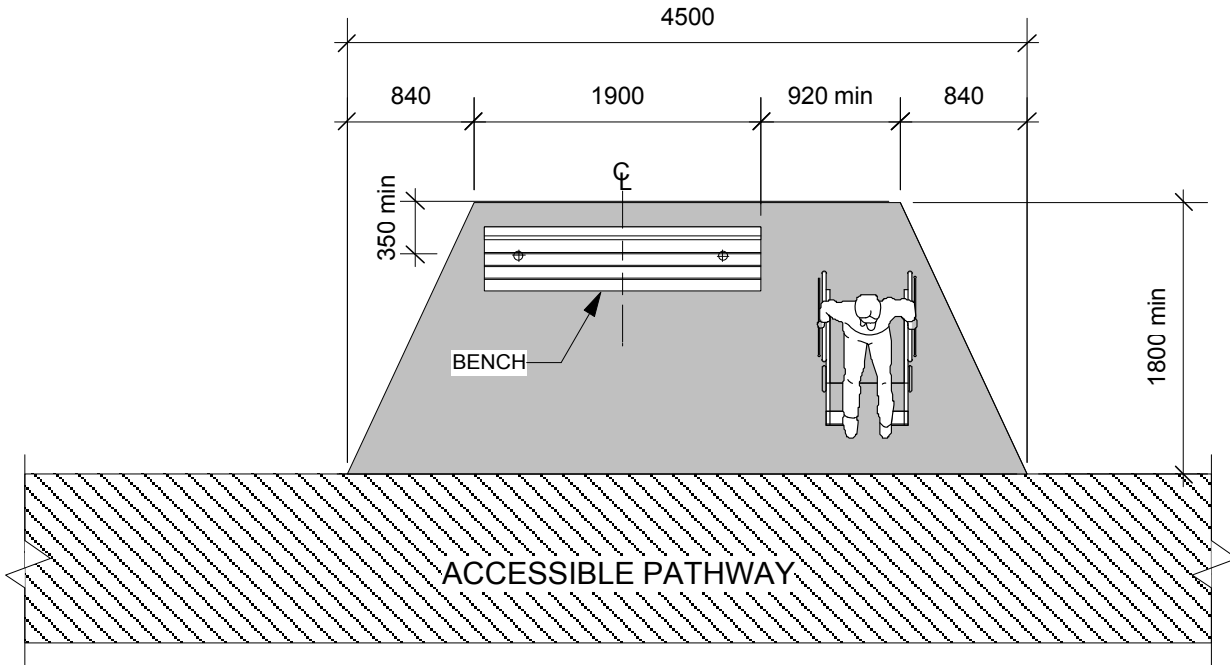


Drawing Title:

ACCESSIBLE BENCH NODE & PICNIC TABLE LAYOUT

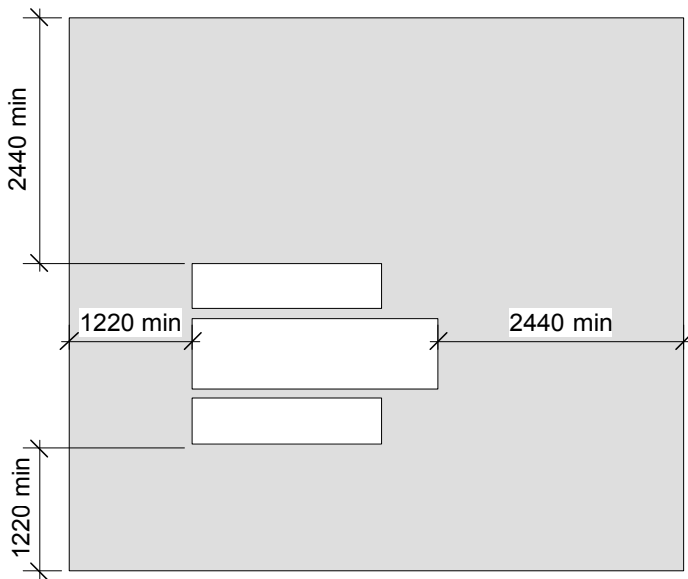
Drawing No:

SCD-136A



ACCESSIBLE BENCH NODE DETAIL

NTS



ACCESSIBLE PICNIC TABLE
MUST BE ADJACENT TO AN
ACCESSIBLE PATHWAY

PLAN VIEW OF PICNIC TABLE ON GRAVEL BASE

NTS

DIMENSIONS SHOWN ARE IN MILLIMETRES UNLESS OTHERWISE SPECIFIED

REVISION: 2
 DATE: December 20, 2012
 SCALE: NTS
 DRAWN BY: SP

The City of Winnipeg
 Planning, Property and Development Department
 Planning and Land Use Division
 Unit 15 - 30 Fort Street, Winnipeg, MB, R3C 4X5

