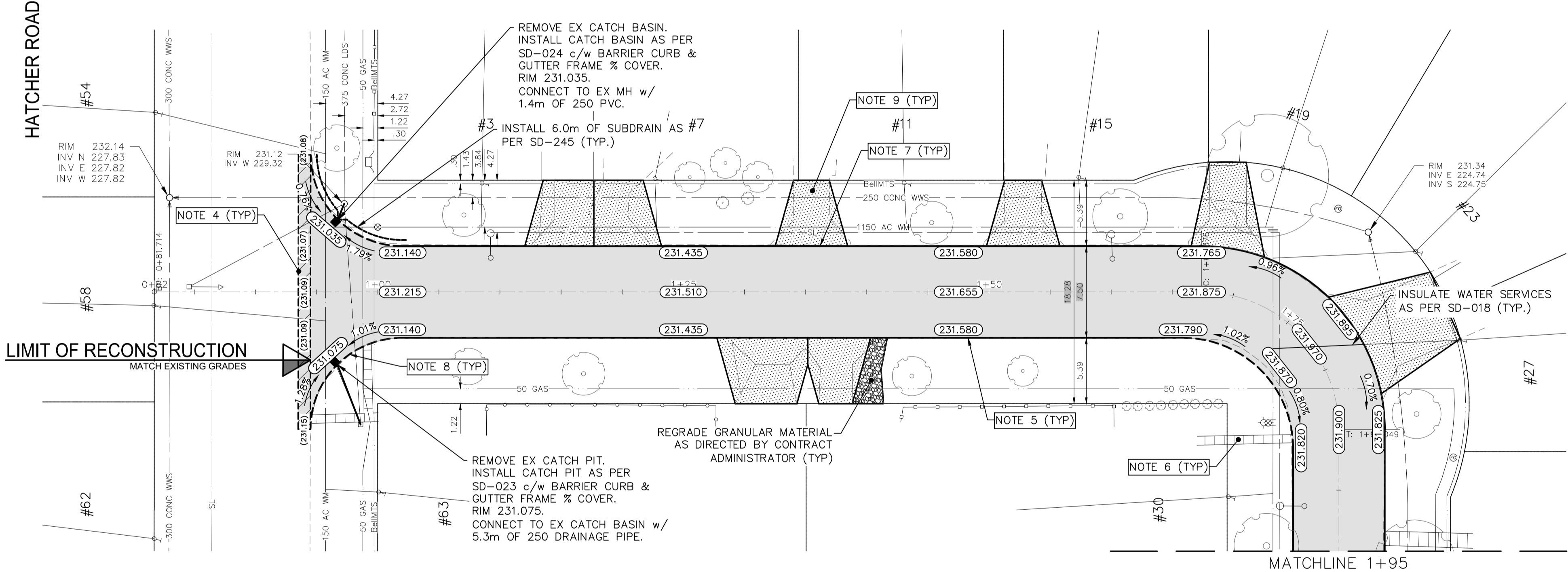
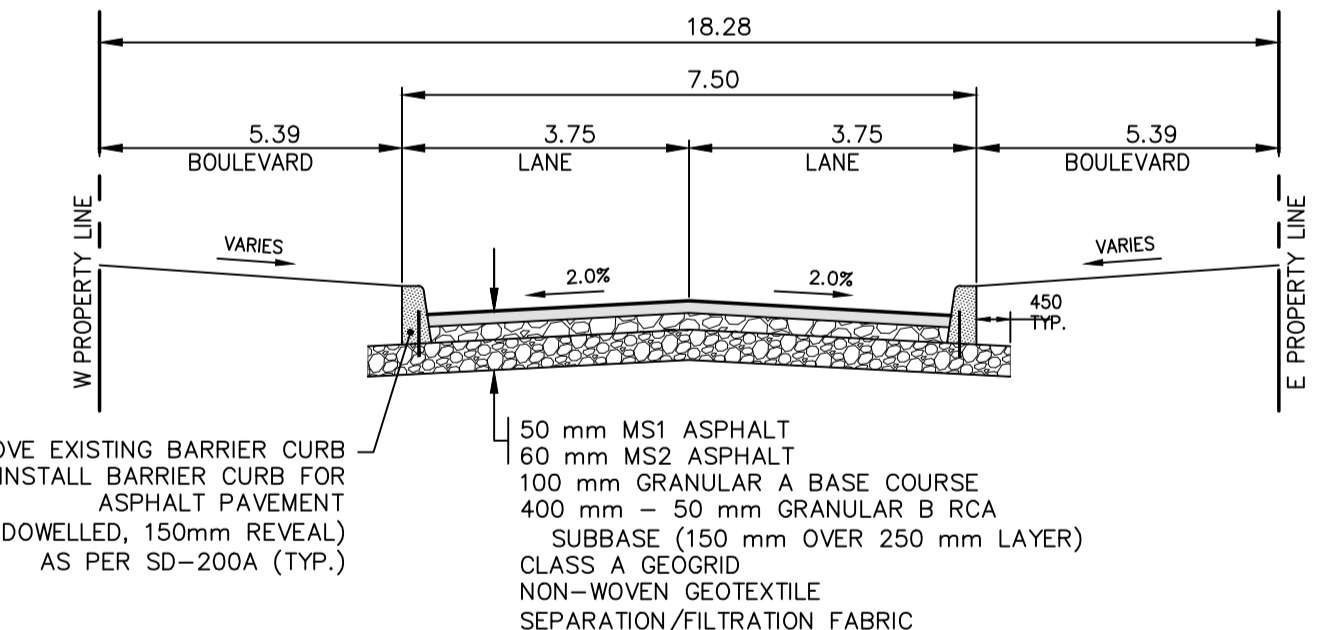


GILLIES CRESCENT



- NOTES:
1. ALL WORK AND MATERIALS TO BE IN ACCORDANCE WITH THE LATEST REVISION OF THE CITY OF WINNIPEG STANDARD CONSTRUCTION SPECIFICATIONS.
 2. CONTRACTOR TO CONFIRM THE LOCATION OF ALL UTILITIES/SERVICES IN THE FIELD PRIOR TO CONSTRUCTION.
 3. ALL ROADWAY DIMENSIONS SHOWN ARE TO BACK OF CURB.
 4. EXISTING ASPHALT TO BE PLANED AS SHOWN OR AS DIRECTED BY CONTRACT ADMINISTRATOR.
 5. CURB TO BE CONSTRUCTED AS PER SD-200A AND AS DIRECTED BY CONTRACT ADMINISTRATOR.
 6. ALL PRIVATE WALKWAYS TO BE ADJUSTED TO NEW SIDEWALK OR TOP OF CURB ELEVATION, AS DIRECTED BY THE CONTRACT ADMINISTRATOR.
 7. LIP CURB AT PRIVATE APPROACHES TO BE CONSTRUCTED AS DIRECTED BY CONTRACT ADMINISTRATOR.
 8. MODIFIED BARRIER CURB TO BE CONSTRUCTED AT ALL INTERSECTION RADI AND ALLEY RADI.
 9. CONSTRUCT REINFORCED CONCRETE RESIDENTIAL APPROACH AS PER SD-237B AND AS DIRECTED BY CONTRACT ADMINISTRATOR.
 10. CONTRACTORS TO TAKE PRECAUTIONARY STEPS TO PROTECT EXISTING TREES WITHIN THE LIMITS OF CONSTRUCTION FROM DAMAGE FROM CONSTRUCTION ACTIVITIES AS OUTLINED IN THE SPECIFICATIONS.
 11. LAMP STANDARDS, HYDRO POLES, AND ANCHORS THAT REQUIRE TEMPORARY SUPPORT, REMOVAL OR REPLACEMENT, TO BE DONE SO AT THE EXPENSE OF THE CONTRACTOR AS NECESSARY.
 12. ALL BOULEVARDS TO BE SODDED UNLESS OTHERWISE NOTED.
 13. ADJUST ALL WATER VALVES, HYDRANTS, MANHOLES, AND CATCH BASINS IN WORK AREA TO GRADE.



TYPICAL CROSS-SECTION
NTS

FOR CONTINUATION SEE
DWG CA0043425.6941-02

METRIC
WHOLE NUMBERS INDICATE MILLIMETRES
DECIMALIZED NUMBERS INDICATE METRES

**ENGINEERS
GEOSCIENTISTS
MANITOBA**
Certificate of Authorization
WSP Canada Inc.
No. 5750

FOR TENDER PURPOSES ONLY
NOT FOR CONSTRUCTION

---	WATER MAIN	---	⊗	VALVE	---	---	EDGE OF SIDEWALK	---	---
---	LAND DRAINAGE SEWER	---	⊕	CURB STOP	---	---	EDGE OF ASPHALT	---	---
---	WASTE WATER SEWER	---	⊖	HYDRO POLE & LIGHT STANDARD	---	---	EDGE OF CONCRETE	---	---
---	HYDRO	---	⊙	LIGHT STANDARD OR TRAFFIC SIGNAL	---	---	MODIFIED BARRIER CURB	---	---
---	GAS	---	⊚	HYDRO POLE / ANCHOR	---	---	BARRIER CURB	---	---
---	COMMUNICATIONS	---	⊛	FENCE	---	---	BARRIER CURB AND GUTTER	---	---
---	SIGNALS	---	⊜	PROPERTY LINE	---	---	PAVING STONE	---	---
○	MANHOLE	---	⊞	TEST HOLE / PAVEMENT CORE	---	---	CONCRETE SIDEWALK	---	---
□	CATCH BASIN/CATCH PIT	---	⊟	ELEVATIONS	---	---	CONCRETE SLAB	---	---
△	CURB INLET	---	⊠	CURB RAMP	---	---	ASPHALT	---	---
◇	UTILITIES ADJUSTED	---	⊡	DETECTABLE WARNING SURFACE TILE	---	---	MILLED SURFACE	---	---
⊕	HYDRANT	---	⊢	---	---	---	PAVEMENT REPAIR FABRIC	---	---
---	EXISTING	---	---	---	---	---	---	---	---
---	PROPOSED	---	---	---	---	---	---	---	---

LOCATIONS APPROVED UNDERGROUND STRUCTURES		G.S.M. LAMP STANDARD @ 54 GILLIES CRESCENT SOUTH WEST BOLT	
SIGNED BY: SUPV UG STRUCTURES		ELEV. 231.562	
DATE			
7	---	---	---
6	---	---	---
5	---	---	---
4	---	---	---
3	---	---	---
2	---	---	---
1	---	---	---
0	ISSUED FOR TENDER	20250208	K.G.
NO.	REVISIONS	DATE	BY
		DECEMBER 2024	

wsp

DESIGNED BY: N.T. CHECKED BY: K.G.
DRAWN BY: K.C./W.D./N.T. APPROVED BY: S.S.

HOR. SCALE: 1:250
VERTICAL SCALE: 1:10

RELEASED FOR CONSTRUCTION

DATE: DECEMBER 2024

WSP Canada Inc.
1600 Buffalo Place
Winnipeg, MB R3T 6B8
t. 204.477.6650
f. 204.474.2864
www.wsp.com

CONSULTANT ACAD DWG. NO.
CA0043425.6941-01

THE CITY OF WINNIPEG
PUBLIC WORKS DEPARTMENT
ENGINEERING SERVICES DIVISION

2025 LOCAL STREET RENEWALS
GILLIES CRESCENT
ASPHALT RECONSTRUCTION
STA. 0+94.31 TO STA. 1+95

CITY DRAWING NUMBER
SHEET 01 OF 26

TENDER NO.
167-2025

Feb 26, 2025 - 2:17pm
P:\2024\CA0043425.6941 - CA-25-R-07 Local Streets\02 Drawings\03_Work_Dwg\CA0043425.6941_Gillies Cr_Plan-Profile.dwg - Lab:167-2025_Drawing_CA0043425.6941-01-R0